

NOTES:

- 1.) ALL STL. MEMBERS COATED W/ ZINC RICH EPOXY THEN FINISHED W/ POLYESTER POWDER COATING.
- 2.) 1/2" X 3 3/4" EXPANSION ANCHOR BOLTS PROVIDED.
- 3.) SIDE OF RECEPTACLE HINGES OPEN FOR REMOVAL OF LINER.
- 4.) LATCH PROVIDED W/ KEY, USE OF KEY OPTIONAL.
- 5.) RECEPTACLE FULLY ASSEMBLED AT FACTORY.


DuMor, inc.
 P.O. Box 142 Mifflintown, PA 17059-0142

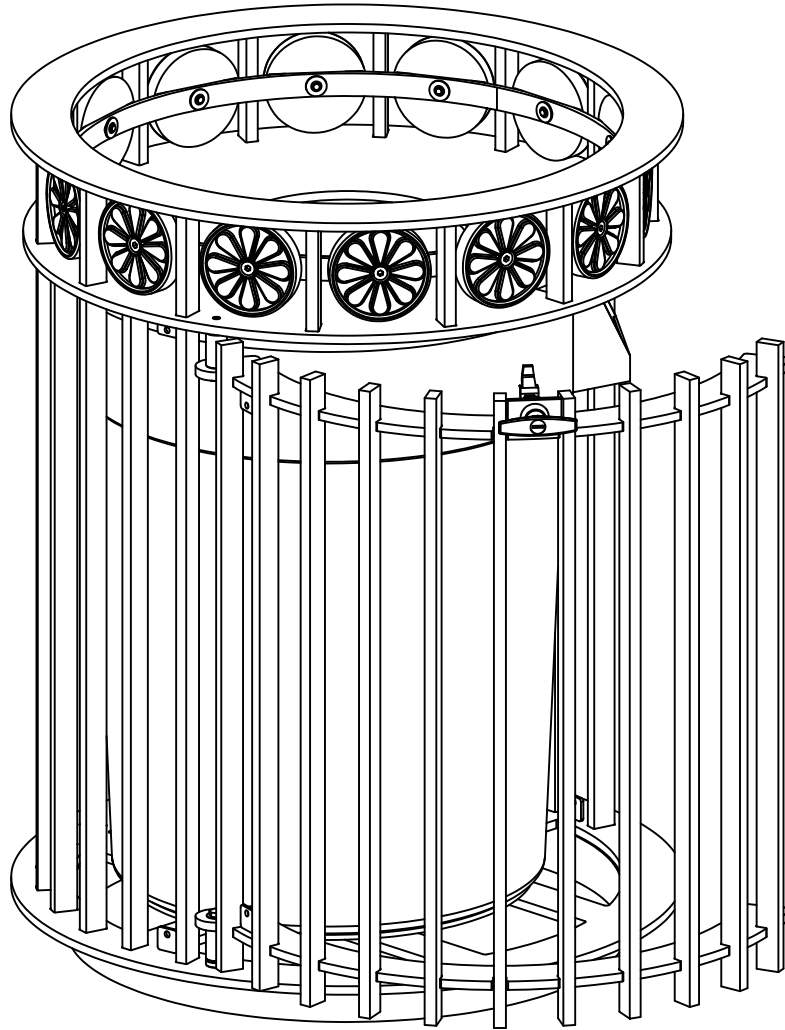
SCALE : NONE
 DATE DRAWN : 2/6/97
 DRAWN BY : AH
 DATE REV. : 12/18/09
 REV. BY : AWH

TITLE : RECEPTACLE

REV. H

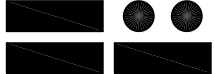
DRAWING NUMBER 102-32-FTO

SHEET 1 OF 2



NOTE:

- 1.) RECEPTACLE SHIPPED FULLY ASSEMBLED.
- 2.) MOUNT AND ANCHOR AS SPECIFIED.

 DuMor, inc. P.O. Box 142 Mifflintown, PA 17059-0142	SCALE :	NONE	TITLE :		RECEPTACLE ASSEMBLY
	DATE DRAWN :	1/5/00	REV.	DRAWING NUMBER	102-32-FT0
	DRAWN BY :	JSB	H		
	DATE REV.	12/18/09			
REV. BY :	AWH				2 OF 2