

NOTES

- 1.) ALL STL. MEMBERS COATED W/ ZINC RICH EPOXY THEN FINISHED W/ BLACK POLYESTER POWDER COATING.
- 2.) 1/2" X 3 3/4" EXPANSION ANCHOR BOLTS PROVIDED.
- 3.) PLANTER FULLY ASSEMBLED AT FACTORY.
- 4.) 6 MIL PLASTIC LINING PROVIDED.

SLAT OPTIONS

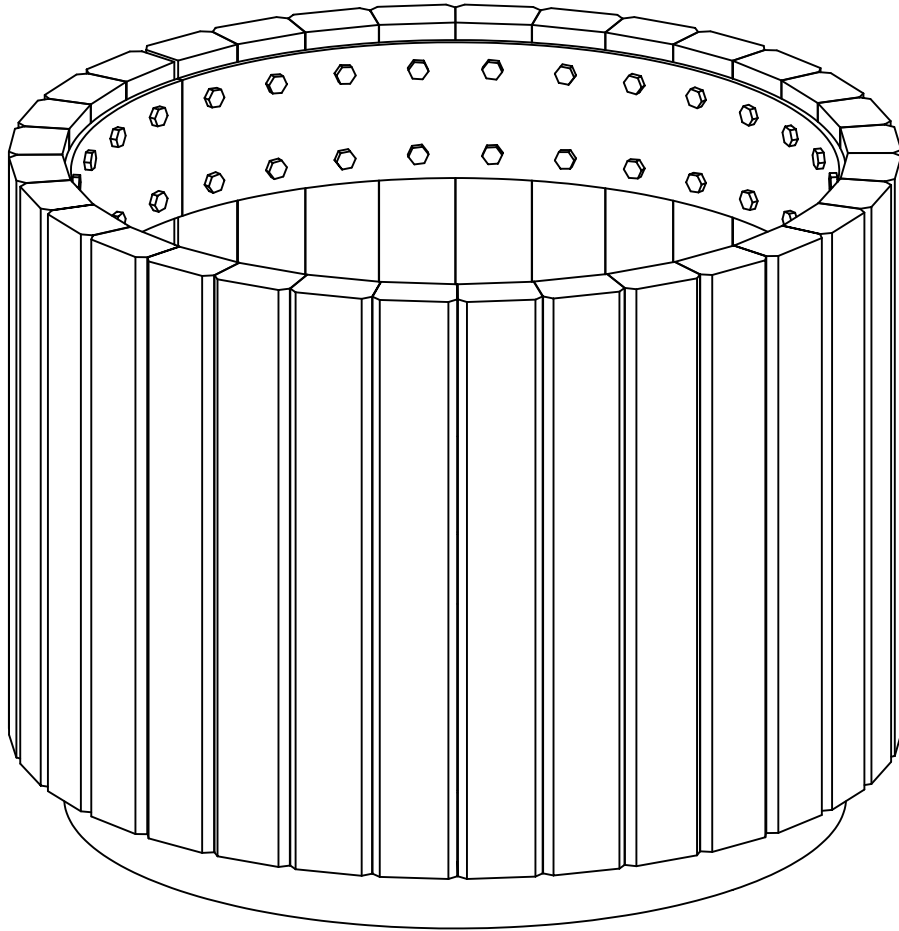
- "CEDAR" RECYCLED PLASTIC
- "GREEN" RECYCLED PLASTIC
- "GREY" RECYCLED PLASTIC
- "REDWOOD" RECYCLED PLASTIC
- OTHER _____

DuMor, inc.
P.O. Box 142 Mifflintown, PA 17059-0142

SCALE : NONE
 DATE DRAWN : 9/10/97
 DRAWN BY : AH
 DATE REV. : 9/11/08
 REV. BY : AWH

TITLE : PLANTER

REV. E	DRAWING NUMBER 113-00 PL	SHEET 1 OF 2
--------	--------------------------	--------------



NOTE:

- 1.) SHIPPED FULLY ASSEMBLED.
- 2.) MOUNT AND ANCHOR AS SPECIFIED.



DuMor, inc.

P.O. Box 142 Mifflintown, PA 17059-0142

SCALE :	NONE
DATE DRAWN :	9/10/97
DRAWN BY :	AH
DATE REV. :	9/11/08
REV. BY :	AWH

TITLE : PLANTER ASSEMBLY

REV.
E

DRAWING NUMBER
113-00 PL

SHEET
2 OF 2