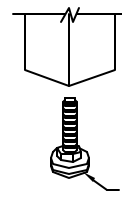
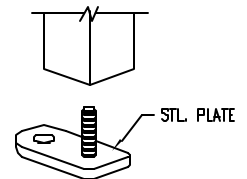


NOTES:

- 1.) ALL STL. MEMBERS COATED W/ ZINC RICH EPOXY THEN FINISHED W/ POLYESTER POWDER COATING.
- 2.) 1/2" X 3 3/4" EXPANSION ANCHOR BOLTS PROVIDED FOR S-2 OPTION.
- 3.) PLANTER FULLY ASSEMBLED AT FACTORY.
- 4.) ALL WELDS CONTINUOUS THEN GROUND SMOOTH.
- 5.) 6 MIL PLASTIC LINING INCLUDED.



S-5 FREE STANDING

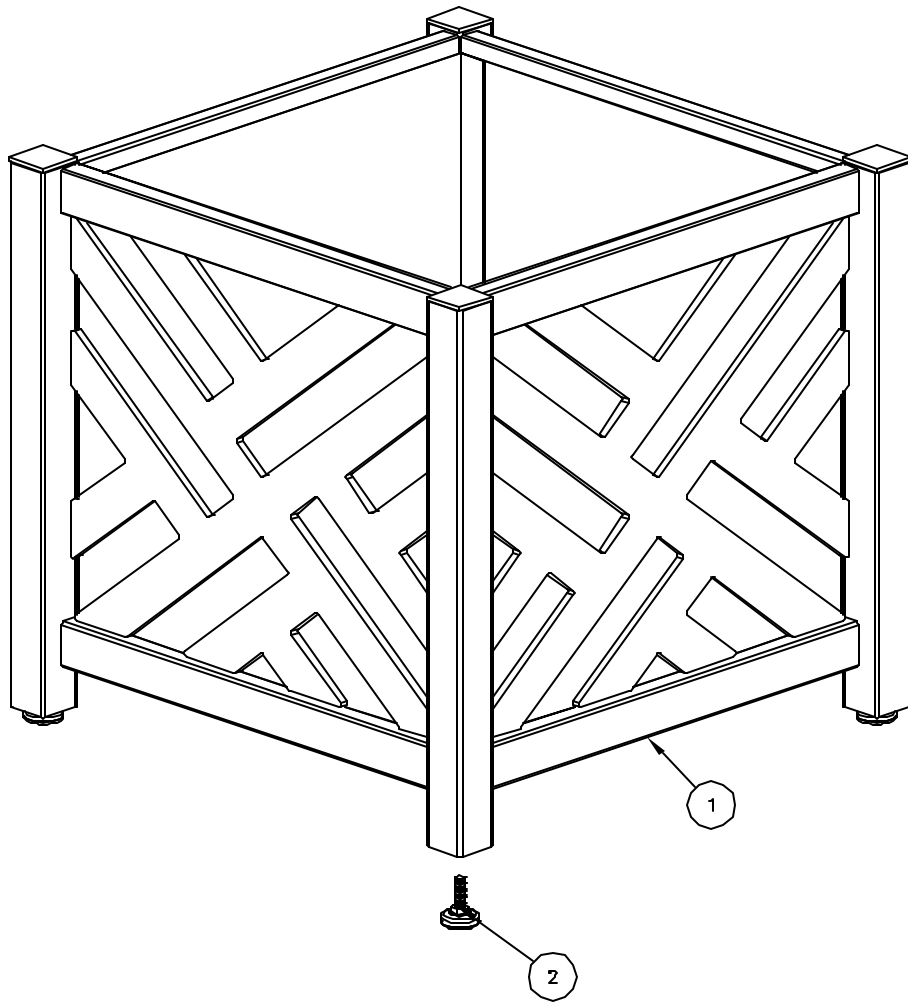


S-2 SURFACE


DuMor, inc.
 P.O. Box 142 Mifflintown, PA 17059-0142

SCALE :	NONE
DATE DRAWN :	9/10/94
DRAWN BY :	HD
DATE REV. :	12/8/05
REV. BY :	JSB

TITLE :		PLANTER	
REV.	DRAWING NUMBER		
F	115-00		
			SHEET 1 OF 2



NOTE:

- 1.) THE ACTUAL PARTS WILL NOT BE NUMBERED;
NUMBERS ONLY APPLY TO DRAWING.
- 2.) SEE SPEC SHEET 1 FOR MOUNTING OPTIONS.

STEP 1:

USE 1 - PCS. ALL STL. PLANTER ASSEMBLY (1)
 4 - PCS. 1/2" X 1 1/2" SWIVEL GLIDE (2)
 ATTACH 1/2" X 1 1/2" SWIVEL GLIDE (2) TO
 ALL STL. PLANTER ASSEMBLY (1). ADJUST TO
 DESIRED LEVEL.

STEP 2:

MOUNT AND ANCHOR AS SPECIFIED.

ITEM	QTY	PART NO	DESCRIPTION
1	1	0-115-00	ALL STL PLANTER ASSEMBLY
3	1	0-LING-60	6 MIL POLYETHYLENE FILM LINING 6 X 10
2	4	5-48-078	1/2" X 1 1/2" SWIVEL GLIDE



DuMor, inc.
 P.O. Box 142 Mifflintown, PA 17059-0142

SCALE : NONE
 DATE DRAWN : 9/10/94
 DRAWN BY : HD
 DATE REV. : 12/8/05
 REV. BY : JSB

TITLE : **PLANTER**

REV. F	DRAWING NUMBER 115-00	SHEET 2 OF 2
--------	-----------------------	--------------