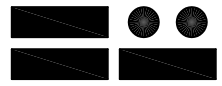
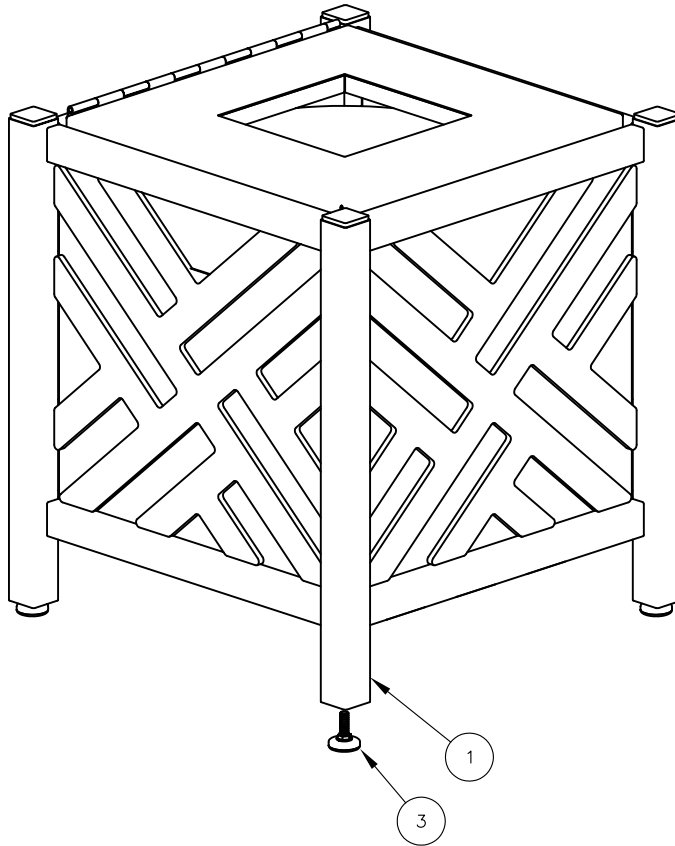


- NOTES:
- 1.) ALL STL. MEMBERS COATED W/ ZINC RICH EPOXY THEN FINISHED W/ POLYESTER POWDER COATING.
 - 2.) 1/2" X 3 3/4" EXPANSION ANCHOR BOLTS PROVIDED FOR S-2.
 - 3.) COVER HINGES FOR ACCESS TO 22 GAL. PLASTIC LINER.
 - 4.) ALL WELDS CONTINUOUS THEN GROUND SMOOTH.

 DuMor, inc. P.O. Box 142 Mifflintown, PA 17059-0142	SCALE :	NONE	TITLE :		RECEPTACLE
	DATE DRAWN :	9/10/97	REV.	DRAWING NUMBER	116-22-FT0
	DRAWN BY :	AH	E	SHEET	
	DATE REV. :	12/17/09			
	REV. BY :	AWH			



NOTE:

- 1.) THE ACTUAL PARTS WILL NOT BE NUMBERED:
NUMBERS ONLY APPLY TO DRAWING.
- 2.) SEE SPEC. SHEET 1 FOR MOUNTING OPTION.


STEP 1:

USE 1 - PC. ALL STL. RECEPTACLE ASSEMBLY (1)
 4 - PCS. 1/2" X 1 1/2" SWIVEL GLIDE (3)
 ATTACH 1/2" X 1 1/2" SWIVEL GLIDE (3) TO ALL
 STL. RECEPTACLE ASSEMBLY (1). ADJUST TO DESIRED LEVEL.

STEP 2:

MOUNT AND ANCHOR AS SPECIFIED.

ITEM	QTY	PART NO	DESCRIPTION
1	1	0-116-20-FTO	22 GAL RECEPT BODY W/ HNGD FLT CVR
2	1	49-22	22 GAL PL LINER W/HANDLE, BLK
3	4	5-48-078	1/2" X 1 1/2" SWIVEL GLIDE

 DuMor, inc. P.O. Box 142 Mifflintown, PA 17059-0142	SCALE :	NONE	TITLE : RECEPTACLE ASSEMBLY	
	DATE DRAWN :	12/22/99		
	DRAWN BY :	JSB	REV.	DRAWING NUMBER 116-22-FTO
	DATE REV. :	12/17/09	E	
REV. BY :	AWH			