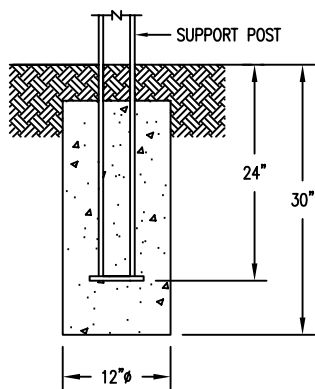
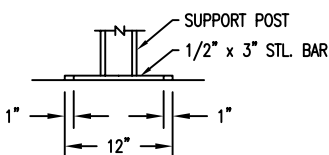
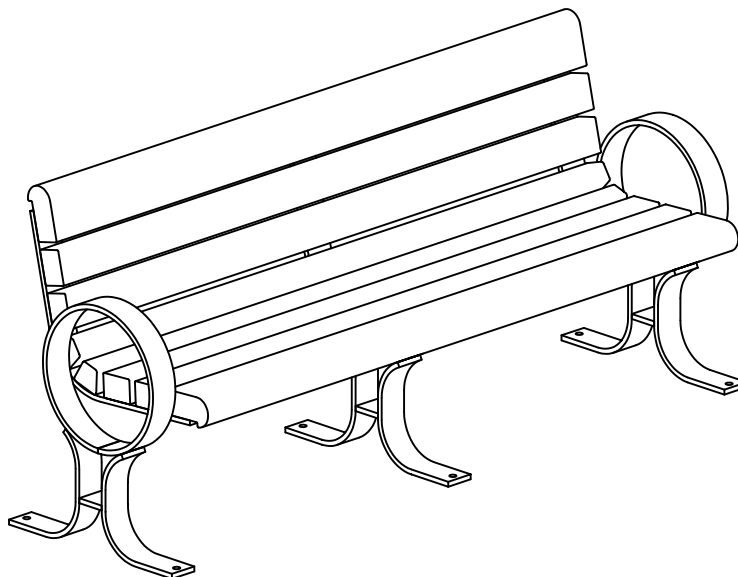


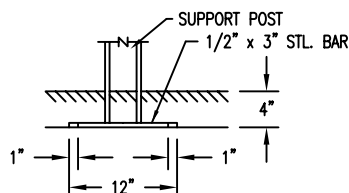
S-3 GULL WING



S-1 EMBEDMENT



S-2 SURFACE



S-4 SUB FLOOR

LENGTH OPTIONS

- 6' BENCH
- 8' BENCH

SLAT OPTIONS

- "CEDAR" RECYCLED PLASTIC
- "GREY" RECYCLED PLASTIC
- "GREEN" RECYCLED PLASTIC
- "REDWOOD" RECYCLED PLASTIC
- "WALNUT" RECYCLED PLASTIC
- OTHER _____

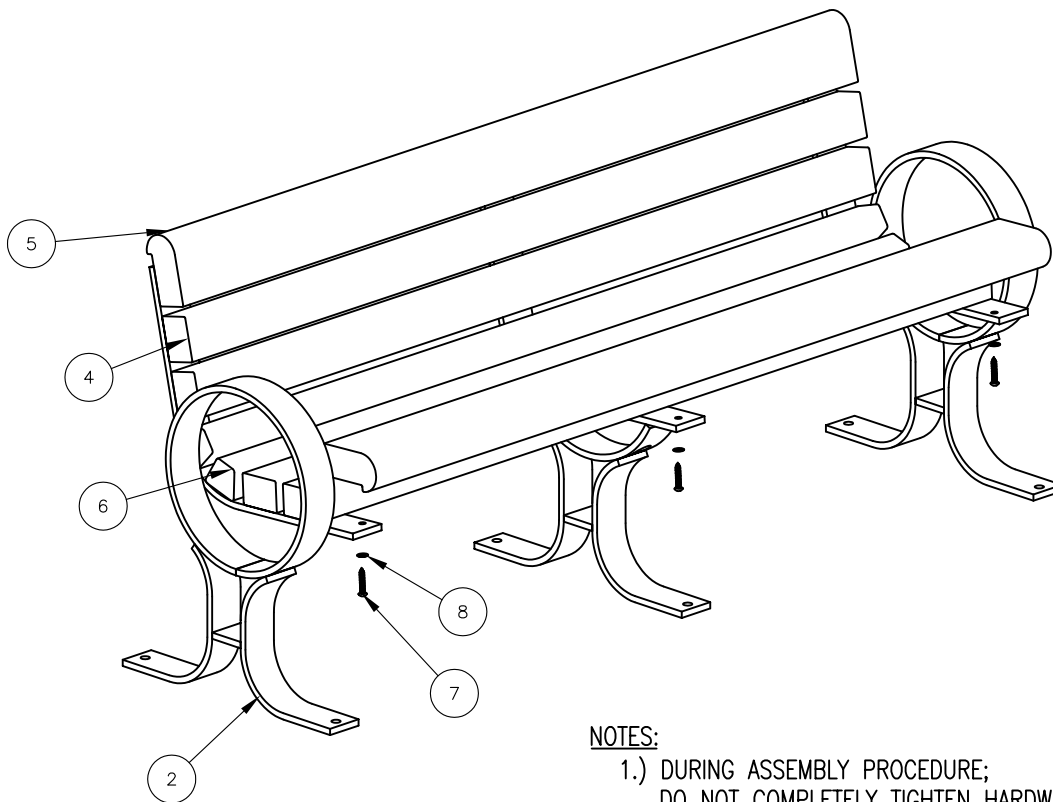
NOTES

- 1.) ALL STL. MEMBERS COATED W/ ZINC RICH EPOXY THEN FINISHED W/ POLYESTER POWDER COATING.
- 2.) 1/2" X 3 3/4" EXPANSION ANCHOR BOLTS PROVIDED. FOR S-2, S-3 & S-4 OPTIONS.


DuMor, inc.
 P.O. Box 142 Mifflintown, PA 17059-0142

SCALE : NONE
 DATE DRAWN : 10/25/99
 DRAWN BY : CC
 DATE REV. : 12/2/09
 REV. BY : JSB

TITLE : BENCH
 REV. C
 DRAWING NUMBER 131 SERIES PL
 SHEET 1 OF 2



NOTES:

- 1.) DURING ASSEMBLY PROCEDURE;
DO NOT COMPLETELY TIGHTEN HARDWARE;
- 2.) THE ACTUAL PARTS WILL NOT BE NUMBERED;
NUMBERS ONLY APPLY TO DRAWING.
- 3.) SEE SPEC SHEET 1 FOR MOUNTING DETAILS.

STEP 1:

- USE 1 - LEFT HAND GULL WING (1)
- 1 - RIGHT HAND GULL WING (2)
- 1 - CENTER SUPPORT (3)
- 4 - 3" X 4" X 71" CENTER SLAT (4)
- 2 - 71" EDGE SLAT (5)
- 2 - 3" X 4" X 71" TRAP. SLAT (6)
- 24 - 3/8" X 2" SS BTN SKT HD LAG SCR. (7)
- 24 - 3/8" SS FLAT WASHER (8)

ATTACH 71" EDGE SLAT (5), 3" X 4" X 71" CENTER SLAT (4), AND 3" X 4" X 71" TRAP. SLAT (6) TO THE LEFT HAND GULL WING (1), THE RIGHT HAND GULL WING (2), AND CENTER SUPPORT (3) USING HARDWARE (7 & 8). TIGHTEN TO SNUG FIT. REPEAT UNTIL ALL SLATS ARE ATTACHED.

STEP 2:

UPON COMPLETION OF BENCH ASSEMBLY SQUARE ALL COMPONENTS THEN TIGHTEN ALL HARDWARE.

STEP 3:

ANCHOR ACCORDING TO SUPPORT OPTION USED.

ITEM	QTY	PART NO	DESCRIPTION
1	1	0-131-01L/S-3	LH BENCH SUPT FOR GULL WING
2	1	0-131-01R/S-3	RH BENCH SUPT FOR GULL WING
3	1	0-131-02/S-3	CTR BENCH SUPT FOR GULL WING
4	4	0-131-60PL-01	3" X 4" X 71" INT'R SLAT
5	2	0-131-60PL-02	71" PLASTIC EDGE SLAT
6	2	0-131-60PL-03	71" PLASTIC TRAP SLAT
7	24	1-13-016	3/8" X 2" SS BTN SKT HD LAG SCR
8	24	1-22-024	3/8" SS FLAT WASHER

DuMor, inc.
P.O. Box 142 Mifflintown, PA 17059-0142

SCALE : NONE
DATE DRAWN : 10/25/99
DRAWN BY : CDC
DATE REV. : 12/2/09
REV. BY : JSB

TITLE : BENCH ASSEMBLY

REV. C

DRAWING NUMBER 131 SERIES PL

SHEET 2 OF 2