

NOTES:

- 1.) ALL STL. MEMBERS COATED W/ ZINC RICH EPOXY THEN FINISHED W/ POLYESTER POWDER COATING.
- 2.) 1/2" X 3 3/4" EXPANSION ANCHOR BOLTS PROVIDED.
- 3.) RECEPTACLE FULLY ASSEMBLED AT FACTORY.

DuMor, inc.
P.O. Box 142 Mifflintown, PA 17059-0142

SCALE : NONE

DATE DRAWN : 11/16/00

DRAWN BY : AWH

DATE REV. : 12/17/09

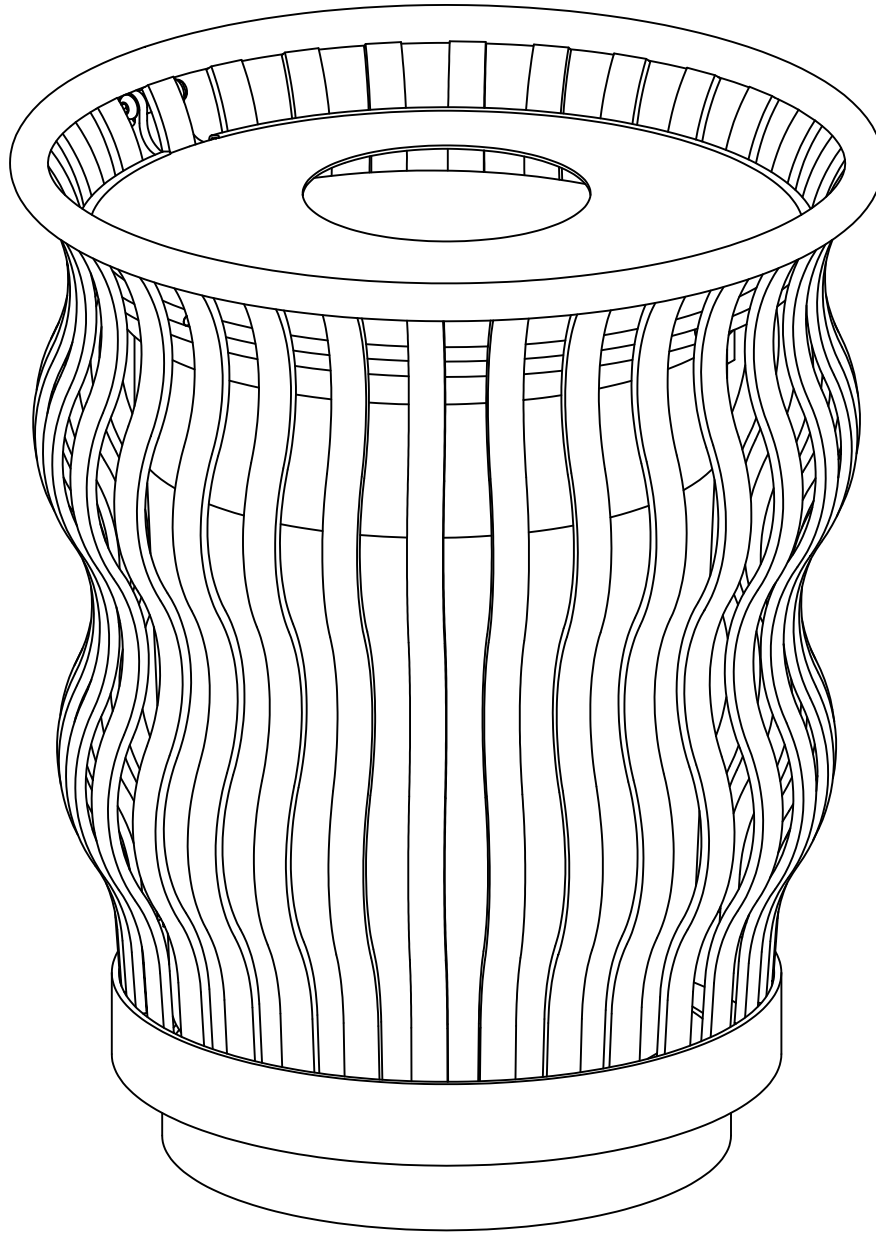
REV. BY : AWH

TITLE : RECEPTACLE
PATENT NUMBER D447,305 S

REV. E

DRAWING NUMBER 133-32-FT0

SHEET 1 OF 2



NOTE:

- 1.) RECEPTACLE SHIPPED FULLY ASSEMBLED.
- 2.) COVER ATTACHED W/ 1/8" VINYL COATED CABLE.
- 3.) MOUNT AND ANCHOR AS SPECIFIED.



DuMor, inc.

P.O. Box 142 Mifflintown, PA 17059-0142

SCALE : NONE
 DATE DRAWN : 11/16/00
 DRAWN BY : AWH
 DATE REV. : 12/17/09
 REV. BY : AWH

TITLE : RECEPTACLE ASSEMBLY
 PATENT NUMBER D447,305 S

REV.
E

DRAWING NUMBER
133-32-FTO

SHEET
2 OF 2