

NOTES:

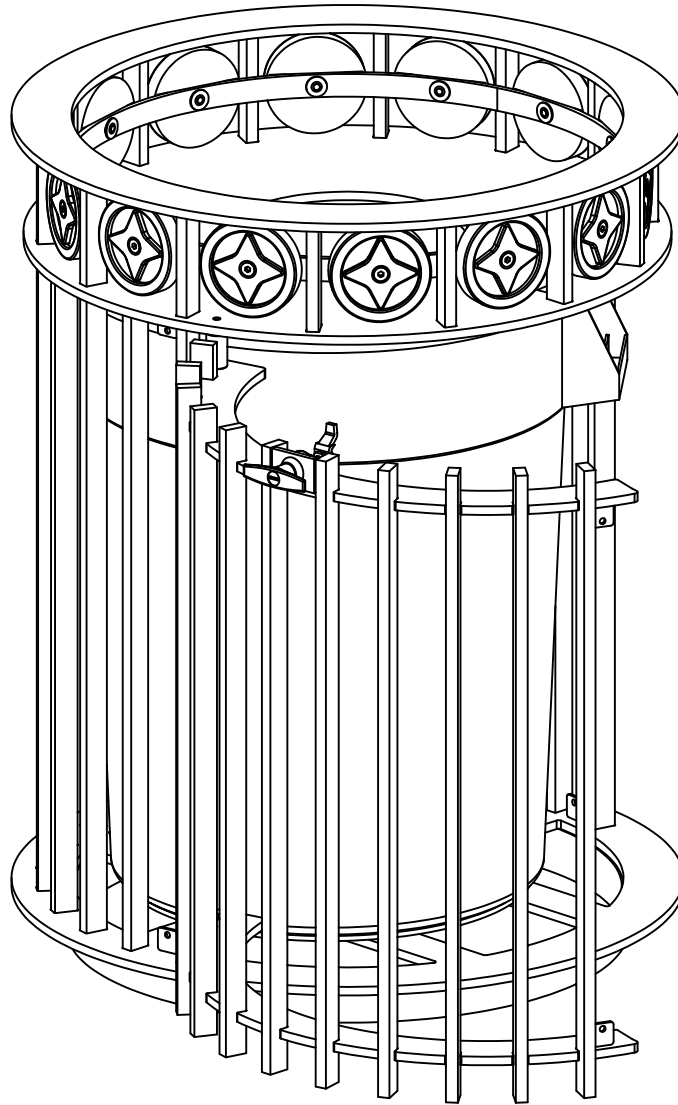
- 1.) ALL STL. MEMBERS COATED W/ ZINC RICH EPOXY THEN FINISHED W/ POLYESTER POWDER COATING.
- 2.) 1/2" X 3 3/4" EXPANSION ANCHOR BOLTS PROVIDED.
- 3.) SIDE OF RECEPTACLE HINGES OPEN FOR REMOVAL OF LINER.
- 4.) LATCH PROVIDED W/ KEY, USE OF KEY OPTIONAL.
- 5.) RECEPTACLE FULLY ASSEMBLED AT FACTORY.


DuMor, inc.
 P.O. Box 142 Mifflintown, PA 17059-0142

SCALE : NONE
 DATE DRAWN : 8/31/01
 DRAWN BY : AH
 DATE REV. : 12/18/09
 REV. BY : AWH

TITLE : RECEPTACLE
 REV. D
 DRAWING NUMBER 148-32-FT0

SHEET 1 OF 2



NOTE:

- 1.) RECEPTACLE SHIPPED FULLY ASSEMBLED.
- 2.) MOUNT AND ANCHOR AS SPECIFIED.



DuMor, inc.

P.O. Box 142 Mifflintown, PA 17059-0142

SCALE : NONE
 DATE DRAWN : 8/31/01
 DRAWN BY : AWH
 DATE REV. :12/18/09
 REV. BY : AWH

TITLE : RECEPTACLE ASSEMBLY

REV. D

DRAWING NUMBER 148-32-FT0

SHEET 2 OF 2