

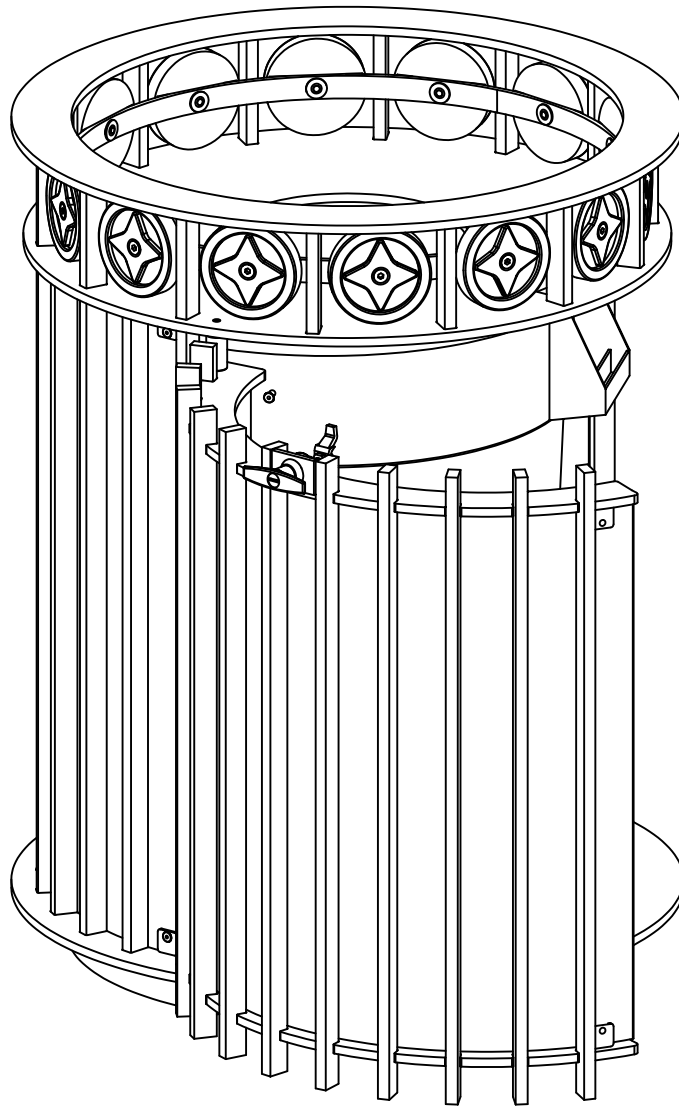
**NOTES:**

- 1.) ALL STL. MEMBERS COATED W/ ZINC RICH EPOXY THEN FINISHED W/ POLYESTER POWDER COATING.
- 2.) 1/2" X 3 3/4" EXPANSION ANCHOR BOLTS PROVIDED.
- 3.) SIDE OF RECEPTACLE HINGES OPEN FOR REMOVAL OF LINER.
- 4.) LATCH PROVIDED W/ KEY, USE OF KEY OPTIONAL.
- 5.) RECEPTACLE FULLY ASSEMBLED AT FACTORY.

  
**DuMor, inc.**  
 P.O. Box 142 Mifflintown, PA 17059-0142

SCALE : NONE  
 DATE DRAWN : 8/31/01  
 DRAWN BY : AH  
 DATE REV. : 12/18/09  
 REV. BY : AWH

TITLE : <b>RECEPTACLE</b>		DRAWING NUMBER <b>148-32SH-FTO</b>	SHEET 1 OF 2
REV. <b>E</b>			



NOTE:

- 1.) RECEPTACLE SHIPPED FULLY ASSEMBLED.
- 2.) MOUNT AND ANCHOR AS SPECIFIED.



DuMor, inc.

P.O. Box 142 Mifflintown, PA 17059-0142

SCALE :	NONE
DATE DRAWN :	8/31/01
DRAWN BY :	AWH
DATE REV. :	09/15/08
REV. BY :	AWH

TITLE :	RECEPTACLE ASSEMBLY	
REV.	DRAWING NUMBER	
E	148-32SH-FT0	
		SHEET 2 OF 2