

**NOTES**

- 1.) ALL STL. MEMBERS COATED W/ ZINC RICH EPOXY THEN FINISHED W/ POLYESTER POWDER COATING.
- 2.) WOOD MEMBERS TREATED W/ CLEAR PRESERVATIVE.
- 3.) 1/2" X 3 3/4" EXPANSION ANCHOR BOLTS PROVIDED.

WOOD OPTIONS

- CLEAR ALL HEART REDWOOD S4S EE
- 'C' & BTR. DOUGLAS FIR KD S4S EE
- CLEAR IPE S4S EE
- OTHER \_\_\_\_\_

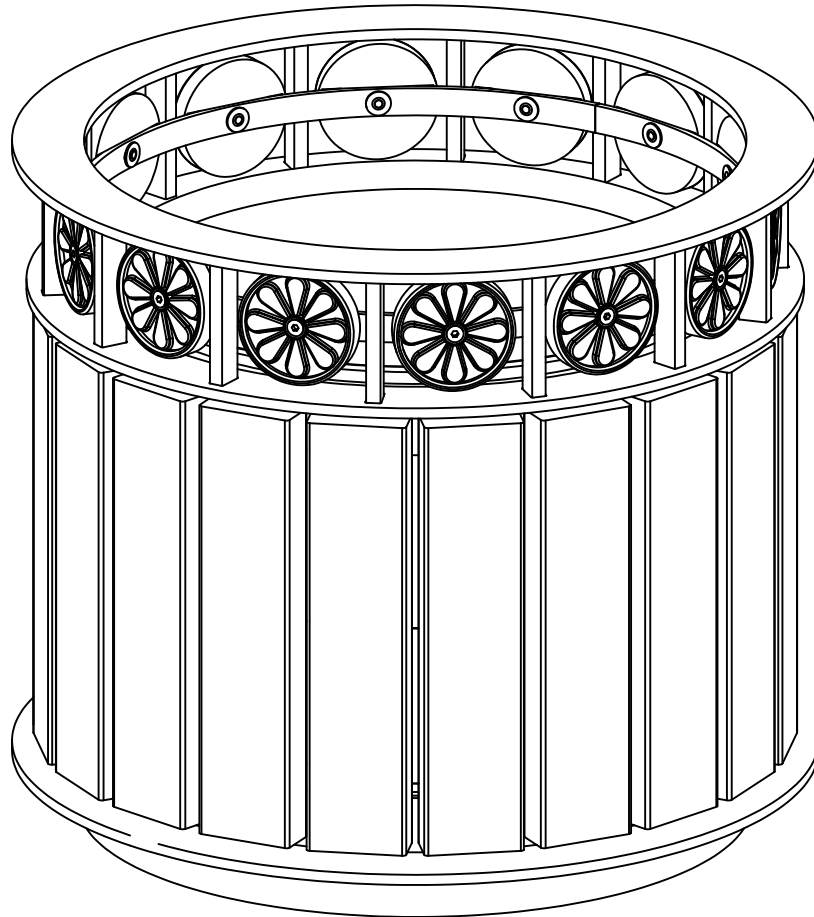


**DuMor, inc.**  
P.O. Box 142 Mifflintown, PA 17059-0142

SCALE : NONE  
DATE DRAWN : 9/21/01  
DRAWN BY : AWH  
DATE REV. : 12/15/08  
REV. BY : ESS

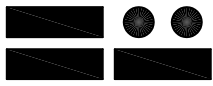
TITLE : PLANTER

REV. C	DRAWING NUMBER 151-00	SHEET 1 OF 2
--------	-----------------------	--------------



- NOTE:  
 1.) SHIPPED FULLY ASSEMBLED  
 2.) MOUNT AND ANCHOR AS SPECIFIED.

ITEM	QTY	PART NO	DESCRIPTION
1	1	0-151-00	PLANTER ASSEMBLY, WOOD
2	1	5-44-020	POLYETHYLENE LINER

 <b>DuMor, inc.</b> P.O. Box 142 Mifflintown, PA 17059-0142	SCALE :	NONE	TITLE :		PLANTER ASSEMBLY	
	DATE DRAWN :	9/21/01	REV.	DRAWING NUMBER	151 SERIES	SHEET
	DRAWN BY :	AWH	C			2 OF 2
	DATE REV. :	12/15/08				
REV. BY :	ESS					