

**NOTES**

- 1.) ALL STL. MEMBERS COATED W/ ZINC RICH EPOXY THEN FINISHED W/ POLYESTER POWDER COATING.
- 2.) 1/2" X 3 3/4" EXPANSION ANCHOR BOLTS PROVIDED.

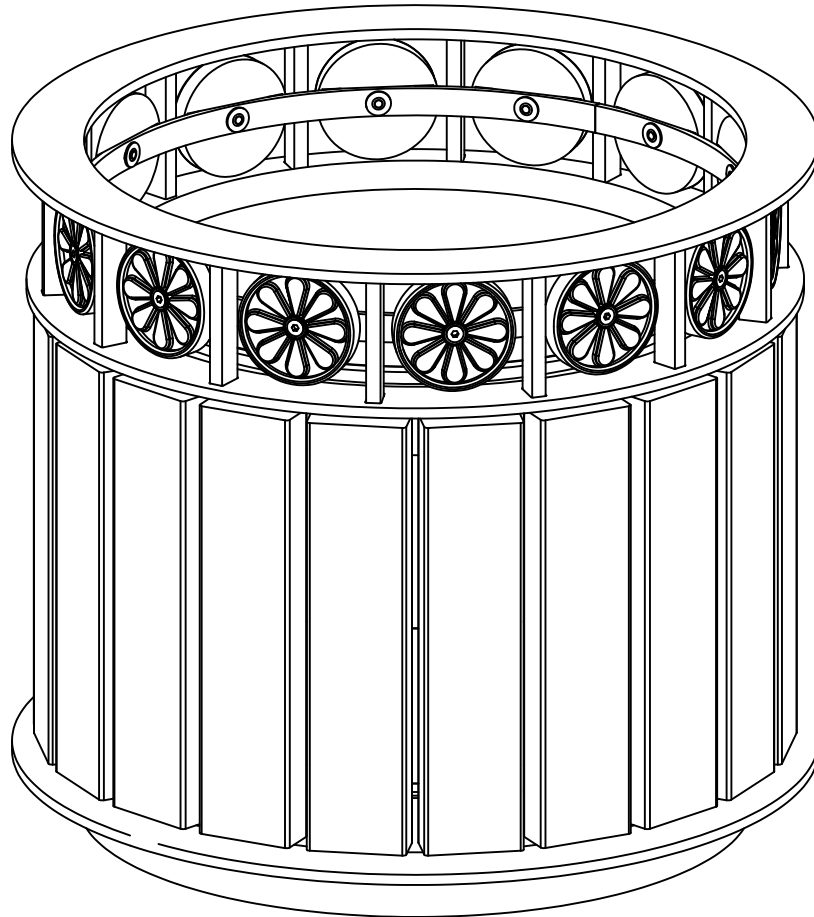
SLAT OPTIONS

- "CEDAR" RECYCLED PLASTIC
- "GREY" RECYCLED PLASTIC
- "GREEN" RECYCLED PLASTIC
- "REDWOOD" RECYCLED PLASTIC
- "WALNUT" RECYCLED PLASTIC
- OTHER \_\_\_\_\_

**DuMor, inc.**  
P.O. Box 142 Mifflintown, PA 17059-0142


SCALE :	NONE
DATE DRAWN :	9/21/01
DRAWN BY :	AWH
DATE REV. :	12/3/09
REV. BY :	JSB

TITLE :	PLANTER		
REV. C	DRAWING NUMBER	151-00PL	SHEET 1 OF 2



NOTE:  
 1.) SHIPPED FULLY ASSEMBLED  
 2.) MOUNT AND ANCHOR AS SPECIFIED.

ITEM	QTY	PART NO	DESCRIPTION
1	1	0-151-00PL	PLANTER ASSEMBLY, PLASTIC
2	1	5-44-020	POLYETHYLENE LINER

 <b>DuMor, inc.</b> P.O. Box 142 Mifflintown, PA 17059-0142	SCALE :	NONE	TITLE :		PLANTER ASSEMBLY	
	DATE DRAWN :	9/21/01	REV.	DRAWING NUMBER	151-00PL	SHEET 2 OF 2
	DRAWN BY :	AWH	C			
	DATE REV. :	12/3/09				
REV. BY :	JSB					