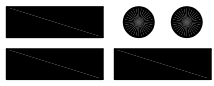


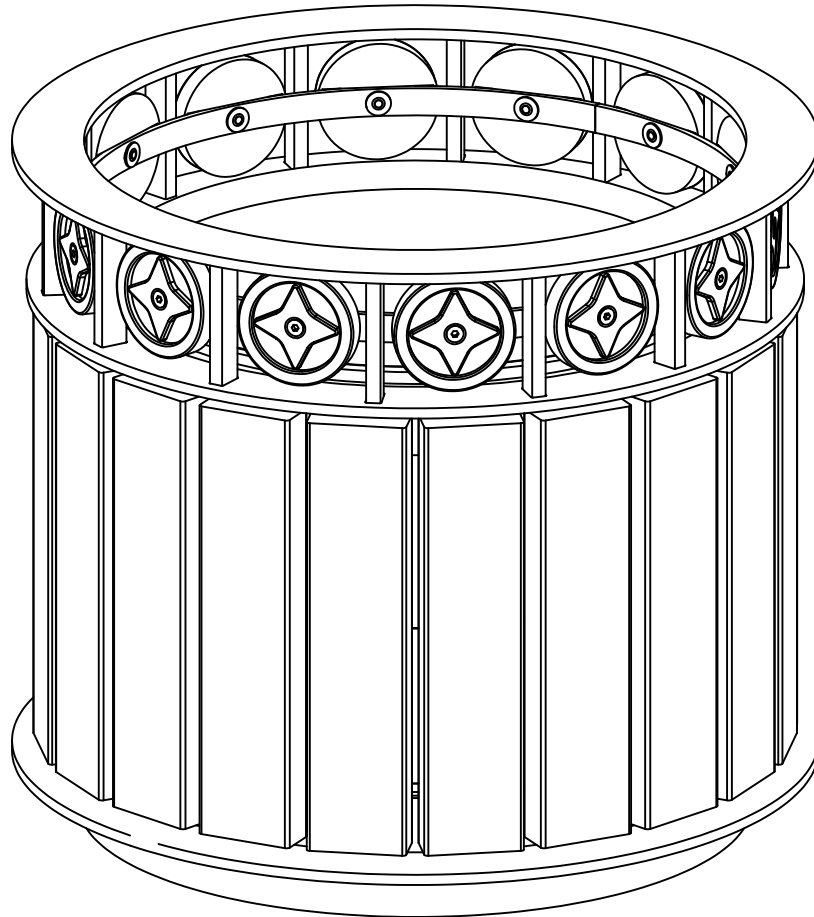
NOTES

- 1.) ALL STL. MEMBERS COATED W/ ZINC RICH EPOXY THEN FINISHED W/ POLYESTER POWDER COATING.
- 2.) 1/2" X 3 3/4" EXPANSION ANCHOR BOLTS PROVIDED.

SLAT OPTIONS

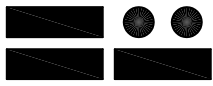
- "CEDAR" RECYCLED PLASTIC
- "GREY" RECYCLED PLASTIC
- "GREEN" RECYCLED PLASTIC
- "REDWOOD" RECYCLED PLASTIC
- "WALNUT" RECYCLED PLASTIC
- OTHER _____

 DuMor, inc. P.O. Box 142 Mifflintown, PA 17059-0142	SCALE :	NONE	TITLE :		PLANTER	
	DATE DRAWN :	11/11/02	REV.	DRAWING NUMBER	153-00PL	
	DRAWN BY :	AWH	C			
	DATE REV. :	12/3/09				
REV. BY :	JSB	SHEET		1 OF 2		



NOTE:
 1.) SHIPPED FULLY ASSEMBLED
 2.) MOUNT AND ANCHOR AS SPECIFIED.

ITEM	QTY	PART NO	DESCRIPTION
1	1	0-153-00PL	PLANTER ASSEMBLY, PLASTIC
2	1	5-44-020	POLYETHYLENE LINER

 DuMor, inc. P.O. Box 142 Mifflintown, PA 17059-0142	SCALE :	NONE	TITLE :		PLANTER ASSEMBLY	
	DATE DRAWN :	11/11/02	REV.	DRAWING NUMBER	153-00PL	SHEET
	DRAWN BY :	AWH	C			
	DATE REV. :	12/3/09				
REV. BY :	JSB				2 OF 2	