

LATCH DETAIL

NOTES

- 1.) ALL STL. MEMBERS COATED W/ ZINC RICH EPOXY THEN FINISHED W/ POLYESTER POWDER COATING.
- 2.) 1/2" X 3 3/4" EXPANSION ANCHOR BOLTS PROVIDED.

DuMor, inc.
P.O. Box 142 Mifflintown, PA 17059-0142

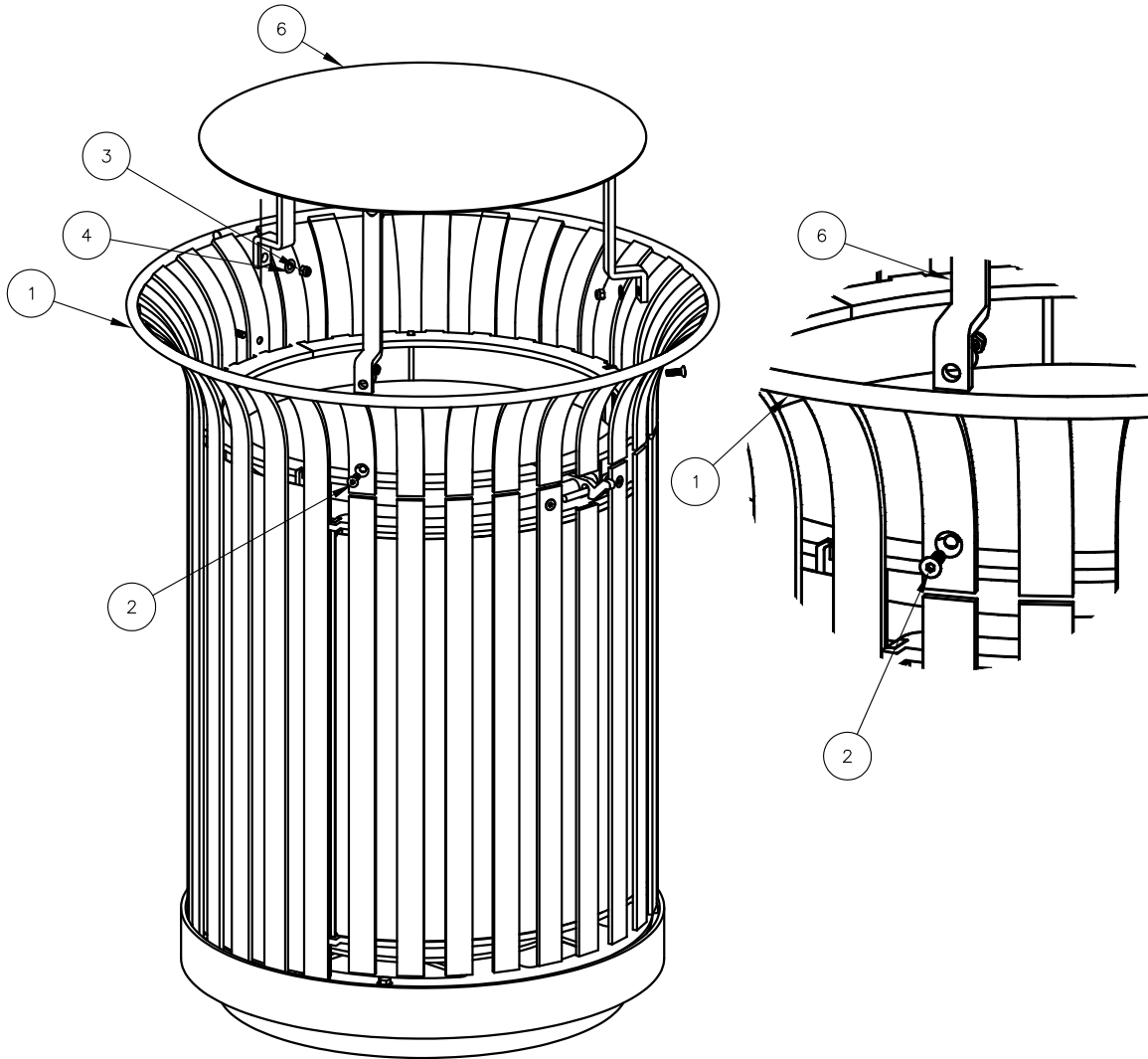
SCALE : NONE
DATE DRAWN : 7/31/03
DRAWN BY : JSB
DATE REV. : 12/17/09
REV. BY : AWH

TITLE : RECEPTACLE

REV. F

DRAWING NUMBER 157-32-25BT

SHEET 1 OF 2



STEP 1:

- USE 1 - PC. 30 GAL ALL STL RECEPTACLE ASSEMBLY (1)
- 1 - PC. 25" SPUN STL BOLTED BONNET TOP CVR (6)
- 3 - PCS. 5/16" X 1" SS FLT SKT HD CAP SCR (2)
- 3 - PCS. 5/16" SS NYLON LOCK NUT (3)
- 3 - PCS. 5/16" SS FLAT WASHER (4)

ATTACH 25" SPUN STL BOLTED BONNET TOP CVR (6) TO 30 GAL ALL STL RECEPTACLE ASSEMBLY (1). USING HARDWARE (2, 3, & 4). TIGHTEN TO SNUG FIT.

STEP 2:

MOUNT & ANCHOR AS SPECIFIED.

NOTE:

- 1.) THE ACTUAL PARTS WILL NOT BE NUMBERED: NUMBERS ONLY APPLY TO DRAWING.
- 2.) SEE SPEC. SHEET 1 FOR MOUNTING OPTIONS.

ITEM	QTY	PART NO	DESCRIPTION
1	1	0-157-30	30 GAL RECEPTACLE ASSEMBLY
2	3	1-12-023	5/16" X 1" SS FLT SKT HD CAP SCR
3	3	1-20-016	5/16" SS NYLON LOCKNUT
4	3	1-22-017	5/16" SS FLAT WASHER
5	1	49-32	32 GAL PL LINER W/ HANDLE, BLK
6	1	CVB-30-25BT	25" SPUN STL BOLTED BONNET TOP CVR



DuMor, inc.
P.O. Box 142 Mifflintown, PA 17059-0142

SCALE : NONE
DATE DRAWN : 7/31/03
DRAWN BY : JSB
DATE REV. : 12/17/09
REV. BY : AWH

TITLE : RECEPTACLE ASSEMBLY

REV. F DRAWING NUMBER 157-32-25BT

SHEET 2 OF 2