

**NOTES:**

- 1.) ALL STL. MEMBERS COATED W/ ZINC RICH EPOXY THEN FINISHED W/ POLYESTER POWDER COATING.
- 2.) 1/2" X 3 3/4" EXPANSION ANCHOR BOLTS PROVIDED.
- 3.) ALL WELDS CONT. THEN GROUND SMOOTH.

**DuMor, inc.**  
P.O. Box 142 Mifflintown, PA 17059-0142

SCALE : NONE  
DATE DRAWN : 7/3/03  
DRAWN BY : CDC  
DATE REV. : 9/4/08  
REV. BY : AWH

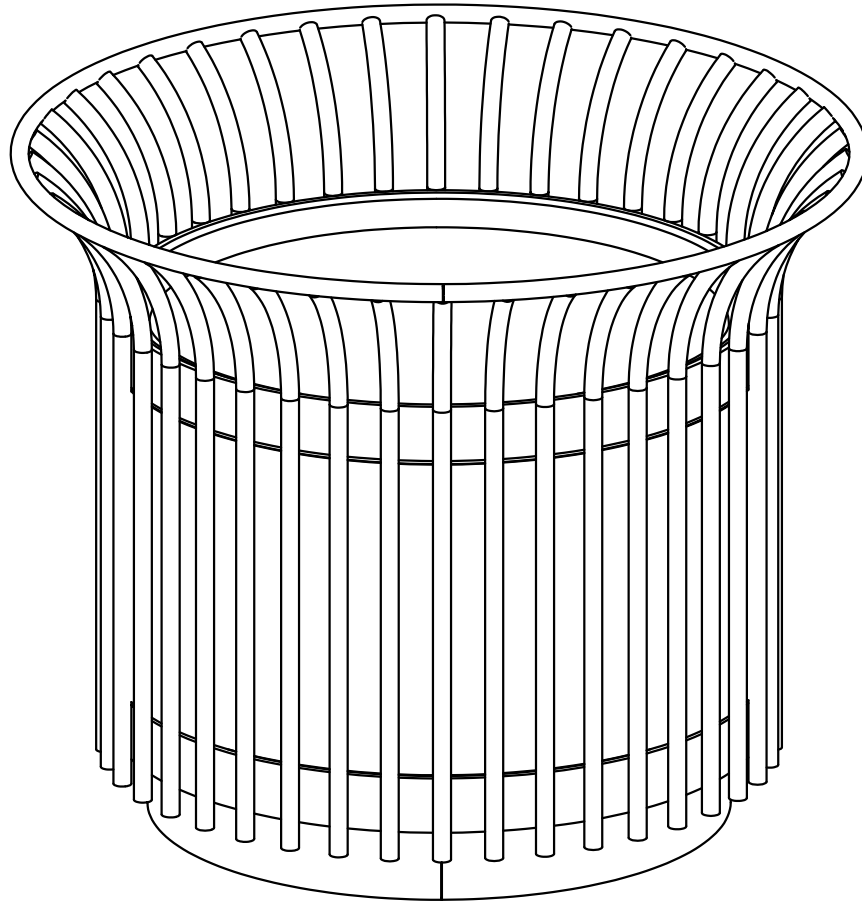
TITLE : PLANTER

REV. B

DRAWING NUMBER

159-00

SHEET 1 OF 2



NOTE:

- 1.) PLANTER SHIPPED FULLY ASSEMBLED.
- 2.) MOUNT AND ANCHOR AS SPECIFIED.



**DuMor, inc.**

P.O. Box 142 Mifflintown, PA 17059-0142

SCALE :	NONE
DATE DRAWN :	7/3/03
DRAWN BY :	CDC
DATE REV. :	9/4/08
REV. BY :	AWH

TITLE :	PLANTER	
REV.	DRAWING NUMBER	
B	159-00	
		SHEET 2 OF 2