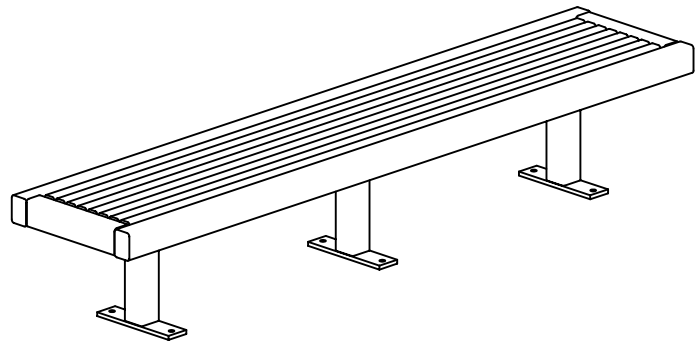
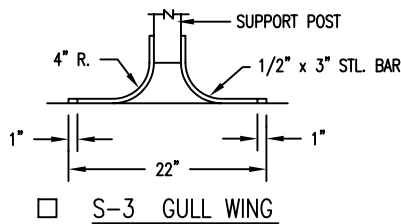
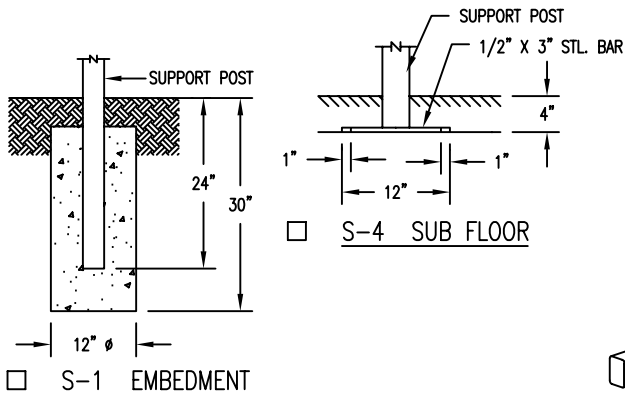


S-2 SURFACE



SLAT OPTIONS

- "CEDAR" RECYCLED PLASTIC
- "GREY" RECYCLED PLASTIC
- "GREEN" RECYCLED PLASTIC
- "REDWOOD" RECYCLED PLASTIC
- "WALNUT" RECYCLED PLASTIC
- OTHER _____

NOTES

- 1.) ALL STL. MEMBERS COATED W/ ZINC RICH EPOXY THEN FINISHED W/ POLYESTER POWDER COATING.
- 2.) 1/2" X 3 3/4" EXPANSION ANCHOR BOLTS PROVIDED FOR S-2, S-3 & S-4 OPTIONS.


DuMor, inc.
 P.O. Box 142 Mifflintown, PA 17059-0142

SCALE : NONE
 DATE DRAWN : 9/2/03
 DRAWN BY : CDC
 DATE REV. : 12/3/09
 REV. BY : JSB

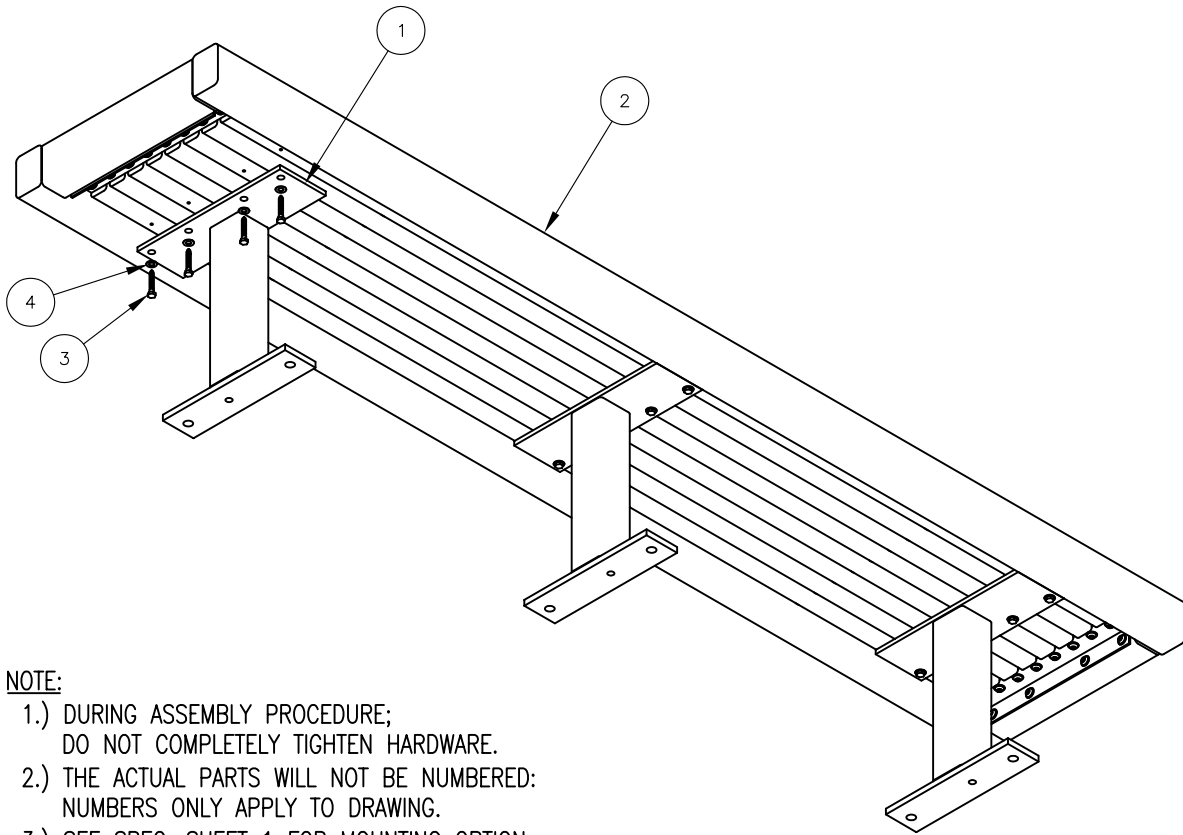
TITLE : BENCH

REV. B

DRAWING NUMBER

163-80PL

SHEET 1 OF 2



NOTE:

- 1.) DURING ASSEMBLY PROCEDURE;
DO NOT COMPLETELY TIGHTEN HARDWARE.
- 2.) THE ACTUAL PARTS WILL NOT BE NUMBERED:
NUMBERS ONLY APPLY TO DRAWING.
- 3.) SEE SPEC. SHEET 1 FOR MOUNTING OPTION.

STEP 1:

USE 3 - PC. SUPPORT FOR SURFACE MOUNT (1)
 1 - PC. PLASTIC SEAT ASSEMBLY (2)
 12 - PCS. 5/16" X 2" SS. BTN. SKT. HD. LAG (3)
 12 - PCS. 5/16" SS. FLAT WASHER (4)
 ATTACH SUPPORTS FOR SURFACE MOUNT (1) TO SEAT ASSEMBLY
 (2) USING HARDWARE (3 & 4). TIGHTEN TO SNUG FIT.

STEP 2:

UPON COMPLETION OF BENCH ASSEMBLY SQUARE ALL
 COMPONENTS THEN TIGHTEN ALL HARDWARE.

STEP 3:

ANCHOR ACCORDING TO SUPPORT OPTION USED.

ITEM	QTY	PART NO	DESCRIPTION
1	3	0-37-00-02/S-2	SUPPORT FOR SURFACE MOUNT
2	1	0-163-80PL-01	8' PLASTIC SEAT ASSEMBLY
3	12	1-13-038	5/16" X 2" SS HEX HD LAG SCR
4	12	1-22-017	5/16" SS FLAT WASHER

DuMor, inc.
 P.O. Box 142 Mifflintown, PA 17059-0142

SCALE : NONE
 DATE DRAWN : 9/2/03
 DRAWN BY : CDC
 DATE REV. : 12/3/09
 REV. BY : JSB

TITLE : BENCH ASSEMBLY

REV. B	DRAWING NUMBER 163-80PL	SHEET 2 OF 2
--------	-------------------------	--------------