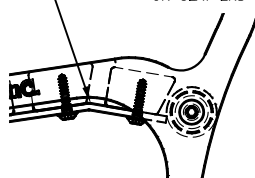
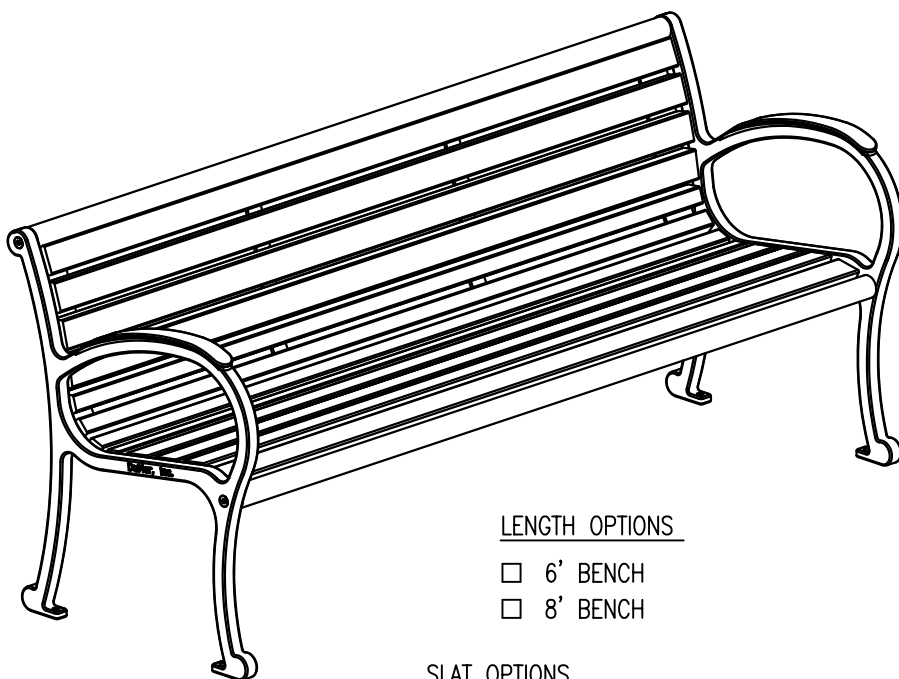


BE SURE TO ATTACH SEAT FRAME WITH BENT STRAP ON SEAT END



SEAT FRAME BOLTING DETAIL



LENGTH OPTIONS

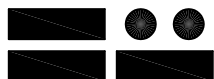
- 6' BENCH
- 8' BENCH

SLAT OPTIONS

- "CEDAR" RECYCLED PLASTIC
- "GREY" RECYCLED PLASTIC
- "GREEN" RECYCLED PLASTIC
- "REDWOOD" RECYCLED PLASTIC
- "WALNUT" RECYCLED PLASTIC
- OTHER \_\_\_\_\_

NOTES

- 1.) ALL STL. MEMBERS COATED W/ ZINC RICH EPOXY THEN FINISHED W/ POLYESTER POWDER COATING.
- 2.) 1/2" X 3 3/4" EXPANSION ANCHOR BOLTS PROVIDED.



**DuMor, inc.**

P.O. Box 142 Mifflintown, PA 17059-0142

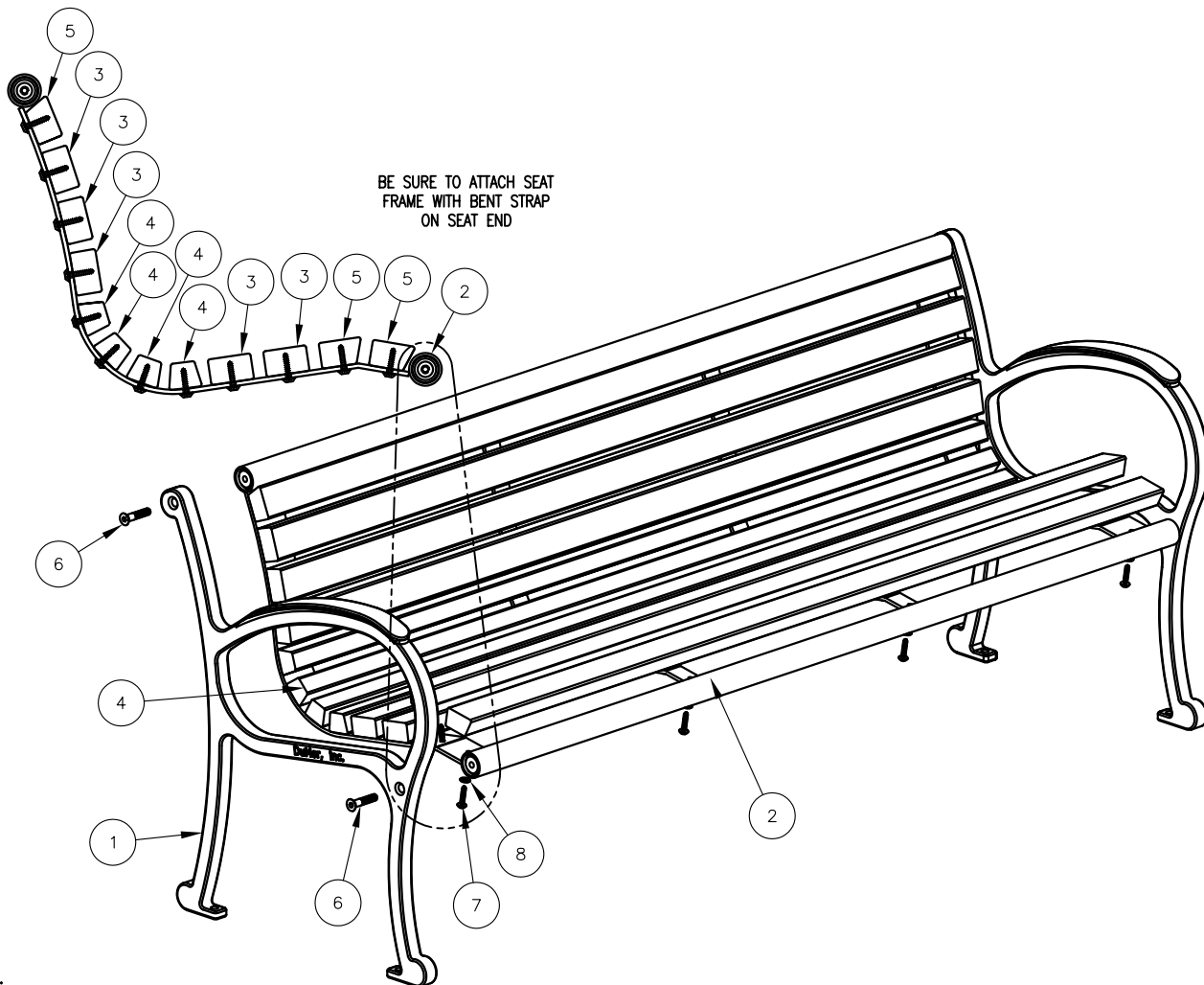
SCALE : NONE  
 DATE DRAWN : 6/28/05  
 DRAWN BY : AWH  
 DATE REV. : 12/3/09  
 REV. BY : JSB

TITLE : BENCH

REV. C

DRAWING NUMBER 165 SERIES-PL

SHEET 1 OF 2



**STEP 1:**

- USE 2 - PCS. CAST IRON BENCH SUPPORT W/ BACK ( 1 )
  - 1 - PC. 6' SEAT FRAME ( 2 )
  - 4 - PCS. 1/2" X 2 1/2" FLT. SKT. HD. CAP SCR. ( 6 )
- ATTACH CAST IRON SUPPORT W/ BACK ( 1 ) TO 6' SEAT FRAME ( 2 ) USING HARDWARE ( 6 ). TIGHTEN TO SNUG FIT.

**NOTE:**

- 1.) DURING ASSEMBLY PROCEDURE; DO NOT COMPLETELY TIGHTEN HARDWARE.
- 2.) THE ACTUAL PARTS WILL NOT BE NUMBERED: NUMBERS ONLY APPLY TO DRAWING.

**STEP 2:**

- USE 5 - PCS. 2" X 3" X 71" PLASTIC INT'R SLAT ( 3 )
  - 4 - PCS. 71" PLASTIC TRAP SLAT ( 4 )
  - 3 - PCS. 71" PLASTIC PROFILE SLAT ( 5 )
  - 48 - PCS. 5/16" X 1 1/2" SS. BTN. SKT. HD. LAG ( 7 )
  - 48 - PCS. 5/16" SS. FLAT WASHER ( 8 )
- ATTACH SLATS ( 3, 4 & 5 ) TO STEP 1 ASSEMBLY USING HARDWARE ( 7 & 8 ). TIGHTEN TO SNUG FIT.

**STEP 3:**

UPON COMPLETION OF BENCH ASSEMBLY SQUARE ALL COMPONENTS THEN TIGHTEN ALL HARDWARE.

**STEP 4:**

MOUNT AND ANCHOR AS SPECIFIED.

ITEM	QTY	PART NO	DESCRIPTION
1	2	0-160-00-01	CAST IRON BENCH SUPPORT FOR BACKREST
2	1	0-165-60-01	6' SEAT FRAME
3	5	0-143-60PL-01	2" X 3" X 71" PLASTIC INT'R SLAT
4	4	0-165-60PL-03	71" PLASTIC TRAP SLAT
5	3	0-165-60PL-04	71" PLASTIC PROFILE SLAT
6	4	1-12-065	1/2" X 2 1/2" FLT SKT HD CAP SCR
7	48	1-13-023	5/16" X 1 1/2" SS BTN SKT HD LAG
8	48	1-22-017	5/16" SS FLAT WASHER

**DuMor, inc.**  
 P.O. Box 142 Mifflintown, PA 17059-0142

SCALE : NONE  
 DATE DRAWN : 6/28/05  
 DRAWN BY : AWH  
 DATE REV. : 12/3/09  
 REV. BY : JSB

TITLE : BENCH ASSEMBLY

REV. C	DRAWING NUMBER 165 SERIES-PL	SHEET 2 OF 2
--------	------------------------------	--------------