

LENGTH OPTIONS

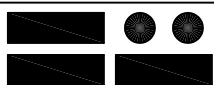
- 6' BENCH
- 8' BENCH

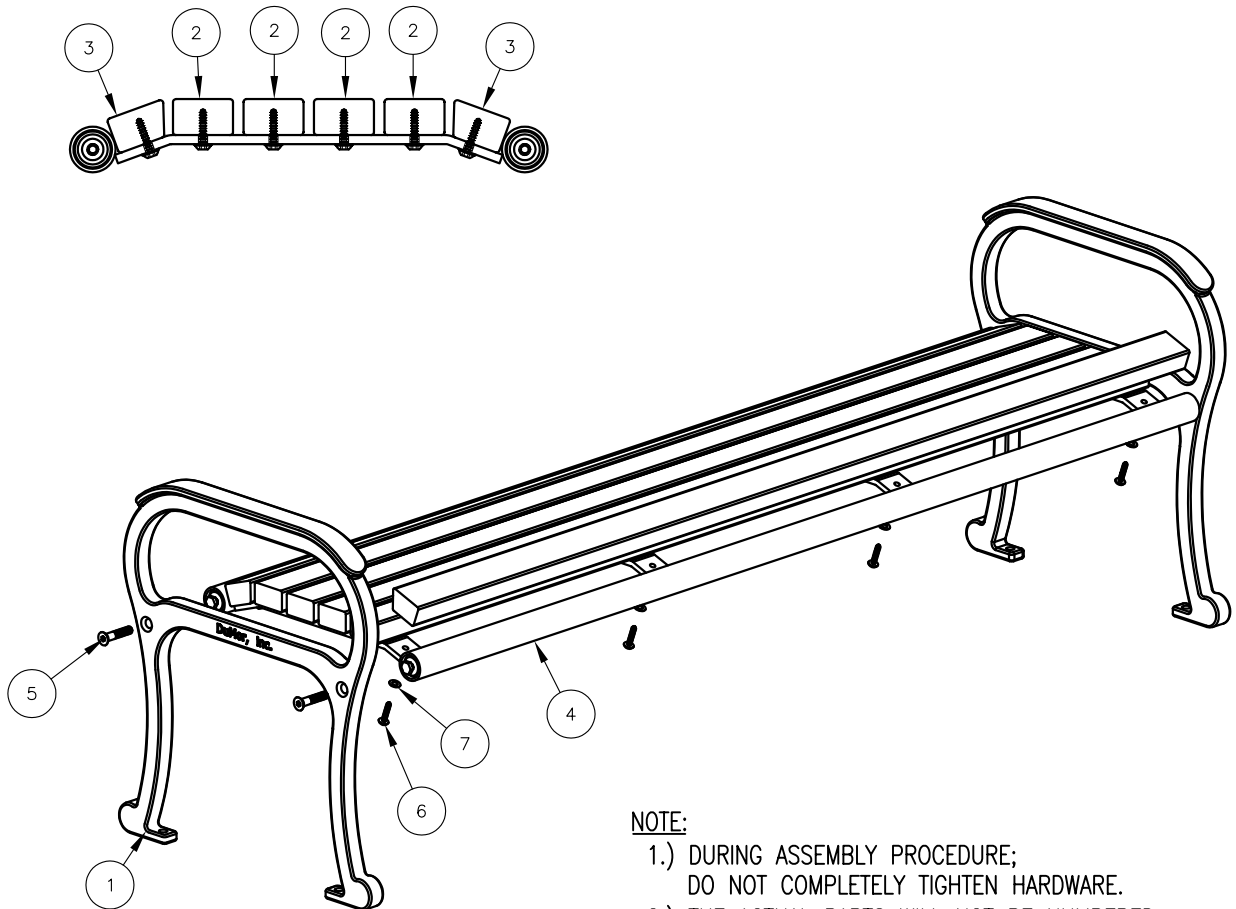
WOOD OPTIONS

- CLEAR ALL HEART REDWOOD S4S EE
- 'C' & BTR. DOUGLAS FIR KD S4S EE
- CLEAR IPE S4S EE
- OTHER _____

NOTES

- 1.) ALL STL. MEMBERS COATED W/ ZINC RICH EPOXY THEN FINISHED W/ POLYESTER POWDER COATING.
- 2.) ALL WOOD MEMBERS TREATED W/ CLEAR PRESERVATIVE.
- 3.) 1/2" X 3 3/4" EXPANSION ANCHOR BOLTS PROVIDED.

 DuMor, inc. P.O. Box 142 Mifflintown, PA 17059-0142	SCALE :	NONE	TITLE :		BENCH
	DATE DRAWN :	9/24/04			
	DRAWN BY :	AWH	REV.	DRAWING NUMBER	166 SERIES
	DATE REV. :	12/15/08	B		
REV. BY :	ESS				



NOTE:

- 1.) DURING ASSEMBLY PROCEDURE;
DO NOT COMPLETELY TIGHTEN HARDWARE.
- 2.) THE ACTUAL PARTS WILL NOT BE NUMBERED:
NUMBERS ONLY APPLY TO DRAWING.

STEP 1:

USE 2 - PCS. BKLESS CAST IRON BENCH SUPPORT (1)
 1 - PC. 6' BACKLESS SEAT FRAME (4)
 4 - PCS. 1/2" X 2 1/2" FLT. SKT. HD. CAP SCR. (5)
 ATTACH BKLESS CAST IRON SUPPORT (1) TO 6' BACKLESS SEAT
 FRAME (4) USING HARDWARE (5). TIGHTEN TO SNUG FIT.

STEP 2:

USE 4 - PCS. 2" X 3" X 71" WOOD INT'R SLAT (2)
 2 - PCS. 71" WOOD TRAP SLAT (3)
 24 - PCS. 5/16" X 1 1/2" SS. BTN. SKT. HD. LAG (6)
 24 - PCS. 5/16" SS. FLAT WASHER (7)
 ATTACH SLATS (2 & 3) TO STEP 1 ASSEMBLY USING
 HARDWARE (6 & 7). TIGHTEN TO SNUG FIT.


STEP 3:

UPON COMPLETION OF BENCH ASSEMBLY SQUARE ALL
 COMPONENTS THEN TIGHTEN ALL HARDWARE.

STEP 4:

MOUNT AND ANCHOR AS SPECIFIED.

ITEM	QTY	PART NO	DESCRIPTION
1	2	0-164-00-01	BKLESS CAST IRON BENCH SUPPORT
2	4	0-165-60-02	2" X 3" X 71" WOOD INT'R SLAT
3	2	0-165-60-04	71" WOOD PROFILE SLAT
4	1	0-166-60-01	6' BACKLESS SEAT FRAME
5	4	1-12-065	1/2" X 2 1/2" FLT SKT HD CAP SCR
6	24	1-13-023	5/16" X 1 1/2" SS BTN SKT HD LAG
7	24	1-22-017	5/16" SS FLAT WASHER

 DuMor, inc. P.O. Box 142 Mifflintown, PA 17059-0142	SCALE :	NONE	TITLE : BENCH	
	DATE DRAWN :	9/24/04		
	DRAWN BY :	AWH	REV.	DRAWING NUMBER
	DATE REV. :	12/15/08	B	166 SERIES
	REV. BY :	ESS		