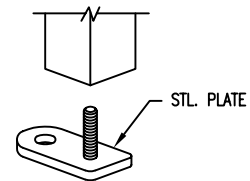


S-1 EMBEDMENT

S-5 FREE  
STANDING

**NOTES:**

- 1.) ALL STL. MEMBERS COATED W/ ZINC RICH EPOXY THEN FINISHED W/ POLYESTER POWDER COATING.
- 2.) COVER HINGES FOR ACCESS TO 22 GAL. PLASTIC LINER.
- 3.) RECEPTACLE SHIPPED FULLY ASSEMBLED.
- 4.) ALL WELDS CONT. THEN GROUND SMOOTH.
- 5.) 1/2" X 3 3/4" EXPANSION ANCHOR BOLTS PROVIDED FOR S-2.



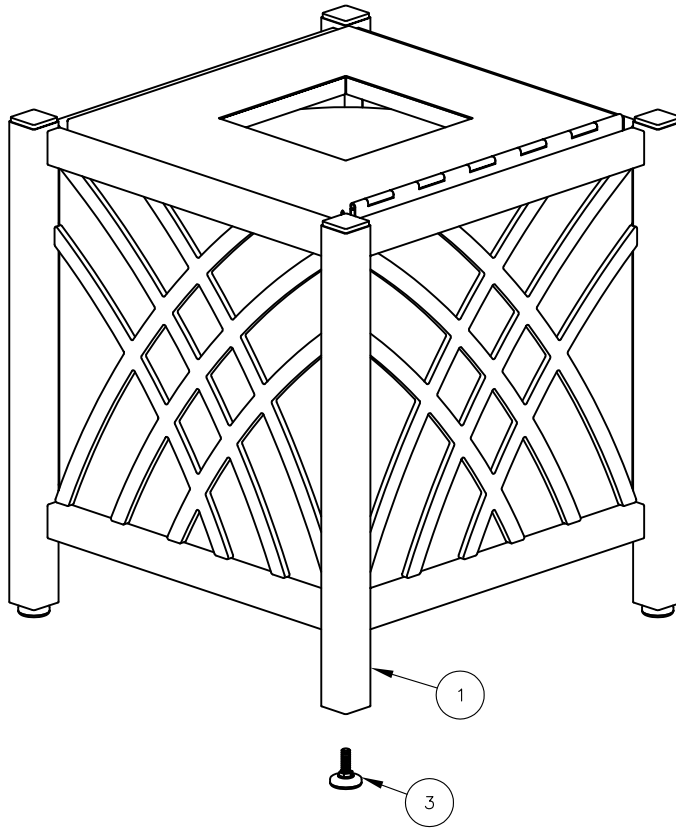
S-2 SURFACE



**DuMor, inc.**  
P.O. Box 142 Mifflintown, PA 17059-0142

SCALE : NONE  
DATE DRAWN : 3/22/94  
DRAWN BY : AH  
DATE REV. : 12/17/09  
REV. BY : ESS

|                    |  |                             |                 |
|--------------------|--|-----------------------------|-----------------|
| TITLE : RECEPTACLE |  | DRAWING NUMBER<br>17-22-FT0 | SHEET<br>1 OF 2 |
| REV.<br>F          |  |                             |                 |



NOTE:

- 1.) THE ACTUAL PARTS WILL NOT BE NUMBERED:  
NUMBERS ONLY APPLY TO DRAWING.
- 2.) SEE SPEC. SHEET 1 FOR MOUNTING OPTION.

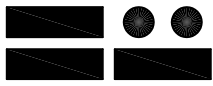
STEP 1:

USE 1 - PC. ALL STL. RECEPTACLE ASSEMBLY ( 1 )  
 4 - PCS. 1/2" X 1 1/2" SWIVEL GLIDE ( 3 )  
 ATTACH 1/2" X 1 1/2" SWIVEL GLIDE ( 3 ) TO ALL  
 STL. RECEPTACLE ASSEMBLY ( 1 ). ADJUST TO DESIRED LEVEL.

STEP 2:

MOUNT AND ANCHOR AS SPECIFIED.

| ITEM | QTY | PART NO     | DESCRIPTION                        |
|------|-----|-------------|------------------------------------|
| 1    | 1   | 0-17-20-FTO | 20 GAL RECEPT BODY W/ HNGD FLT CVR |
| 2    | 1   | 49-22       | 22 GAL PL LINER W/HANDLE, BLK      |
| 3    | 4   | 5-48-078    | 1/2" X 1 1/2" SWIVEL GLIDE         |

|  |              |          |                                |                 |
|--|--------------|----------|--------------------------------|-----------------|
| <br><b>DuMor, inc.</b><br>P.O. Box 142 Mifflintown, PA 17059-0142 | SCALE :      | NONE     | TITLE :<br>RECEPTACLE ASSEMBLY |                 |
|  | DATE DRAWN : | 3/22/94  |                                |                 |
|  | DRAWN BY :   | AH       | REV.                           | DRAWING NUMBER  |
|  | DATE REV. :  | 12/17/09 | F                              | 17-22-FTO       |
|  | REV. BY :    | AWH      |                                | SHEET<br>2 OF 2 |