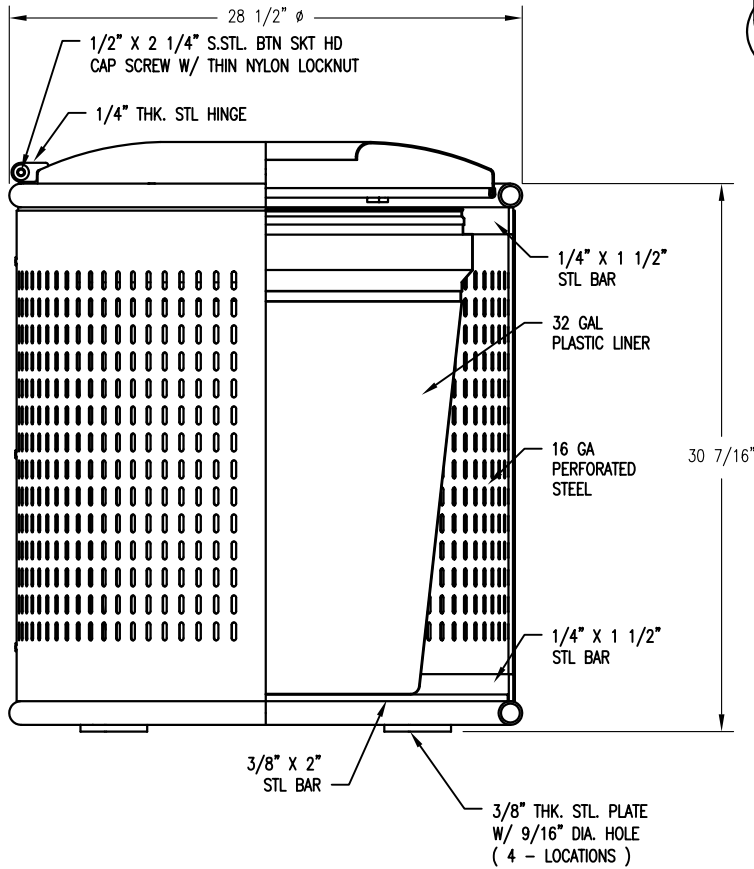
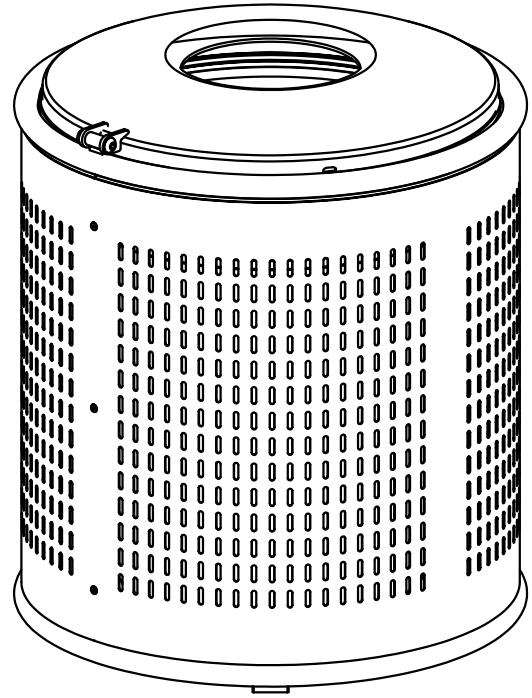
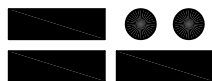


1" SCH 40 STL PIPE
(1 5/16" O.D.)



NOTES:

- 1.) ALL STL. MEMBERS COATED W/ ZINC RICH EPOXY THEN FINISHED W/ POLYESTER POWDER COATING.
- 2.) 1/2" X 3 3/4" EXPANSION ANCHOR BOLTS PROVIDED.



DuMor, inc.

P.O. Box 142 Mifflintown, PA 17059-0142

SCALE : NONE
 DATE DRAWN : 10/13/06
 DRAWN BY : AWH
 DATE REV. : 9/4/08
 REV. BY : AWH

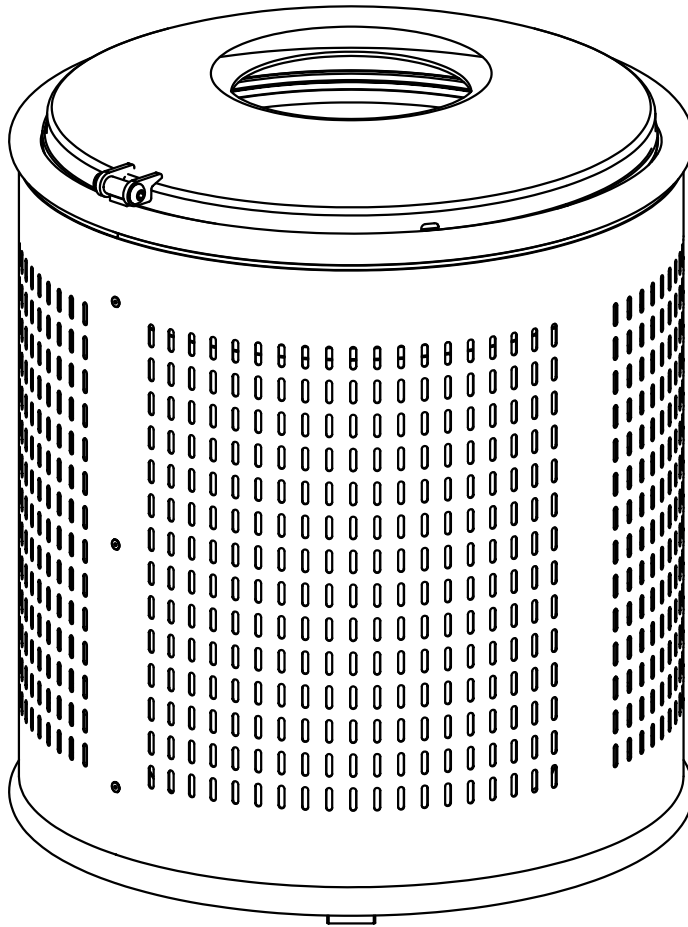
TITLE :
 REV. B

RECEPTACLE

DRAWING NUMBER

170-32-FTO

SHEET 1 OF 2



NOTE:

- 1.) RECEPTACLE SHIPPED FULLY ASSEMBLED.
- 2.) COVER ATTACHED W/ 1/8" VINYL COATED CABLE.
- 3.) MOUNT AND ANCHOR AS SPECIFIED.



DuMor, inc.

P.O. Box 142 Mifflintown, PA 17059-0142

SCALE :	NONE
DATE DRAWN :	10/13/06
DRAWN BY :	AWH
DATE REV. :	9/4/08
REV. BY :	AWH

TITLE :	RECEPTACLE ASSEMBLY		
REV.	DRAWING NUMBER		SHEET
B	170-32-FTO		2 OF 2