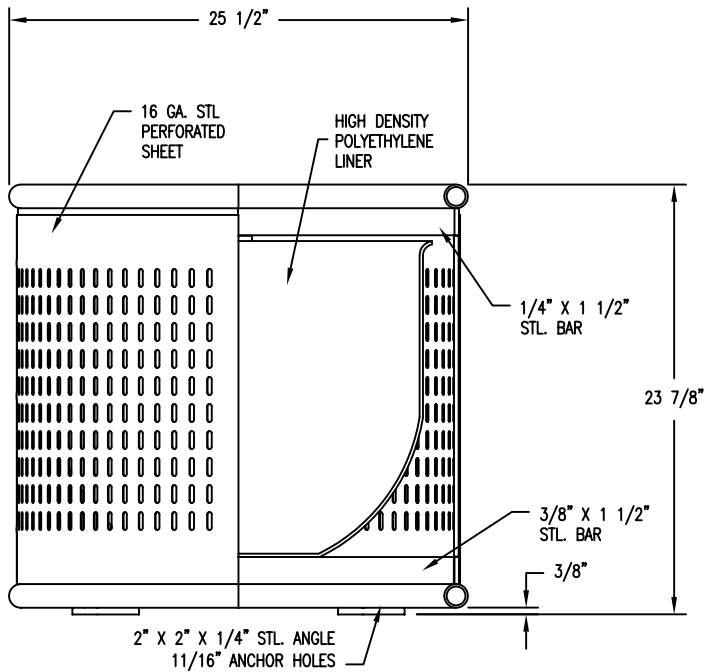
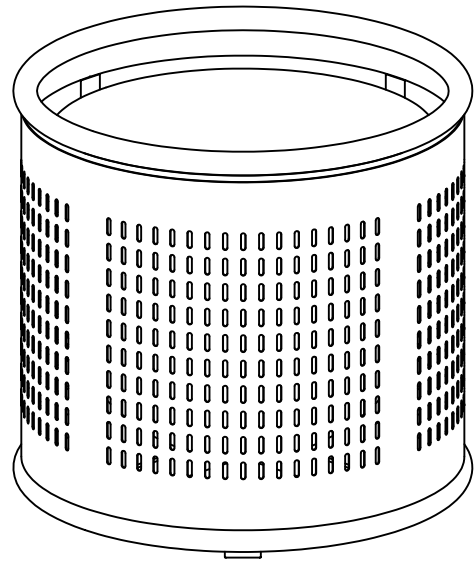


1" SCH 40 STL PIPE  
( 1 5/16" O.D. )



**NOTES:**

- 1.) ALL STL. MEMBERS COATED W/ ZINC RICH EPOXY THEN FINISHED W/ POLYESTER POWDER COATING.
- 2.) 1/2" X 3 3/4" EXPANSION ANCHOR BOLTS PROVIDED.



**DuMor, inc.**

P.O. Box 142 Mifflintown, PA 17059-0142

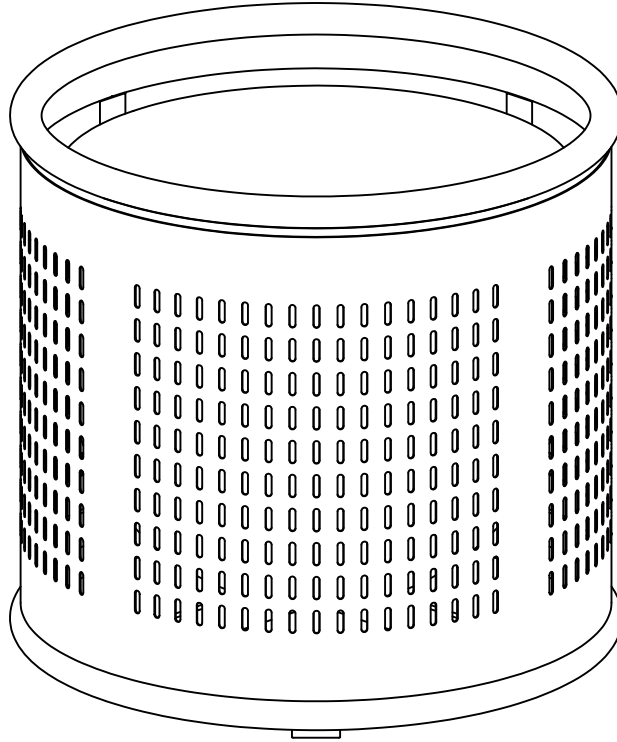
SCALE :	NONE
DATE DRAWN :	10/20/06
DRAWN BY :	AWH
DATE REV. :	9/4/08
REV. BY :	AWH

TITLE : PLANTER

REV. B

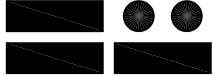
DRAWING NUMBER 171-00

SHEET 1 OF 2



NOTE:

- 1.) PLANTER SHIPPED FULLY ASSEMBLED.
- 2.) MOUNT AND ANCHOR AS SPECIFIED.

 <b>DuMor, inc.</b> P.O. Box 142 Mifflintown, PA 17059-0142	SCALE :	NONE	TITLE :		PLANTER ASSEMBLY
	DATE DRAWN :	10/20/06	REV.	DRAWING NUMBER	SHEET
	DRAWN BY :	AWH	B	171-00	2 OF 2
	DATE REV. :	9/4/08			
	REV. BY :	AWH			