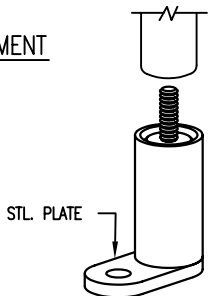


S-2 SURFACE



S-4 SUB FLOOR

LENGTH OPTIONS

- 6' BENCH
- 8' BENCH

SLAT OPTIONS

- "CEDAR" RECYCLED PLASTIC
- "GREY" RECYCLED PLASTIC
- "GREEN" RECYCLED PLASTIC
- "REDWOOD" RECYCLED PLASTIC
- "WALNUT" RECYCLED PLASTIC
- OTHER \_\_\_\_\_

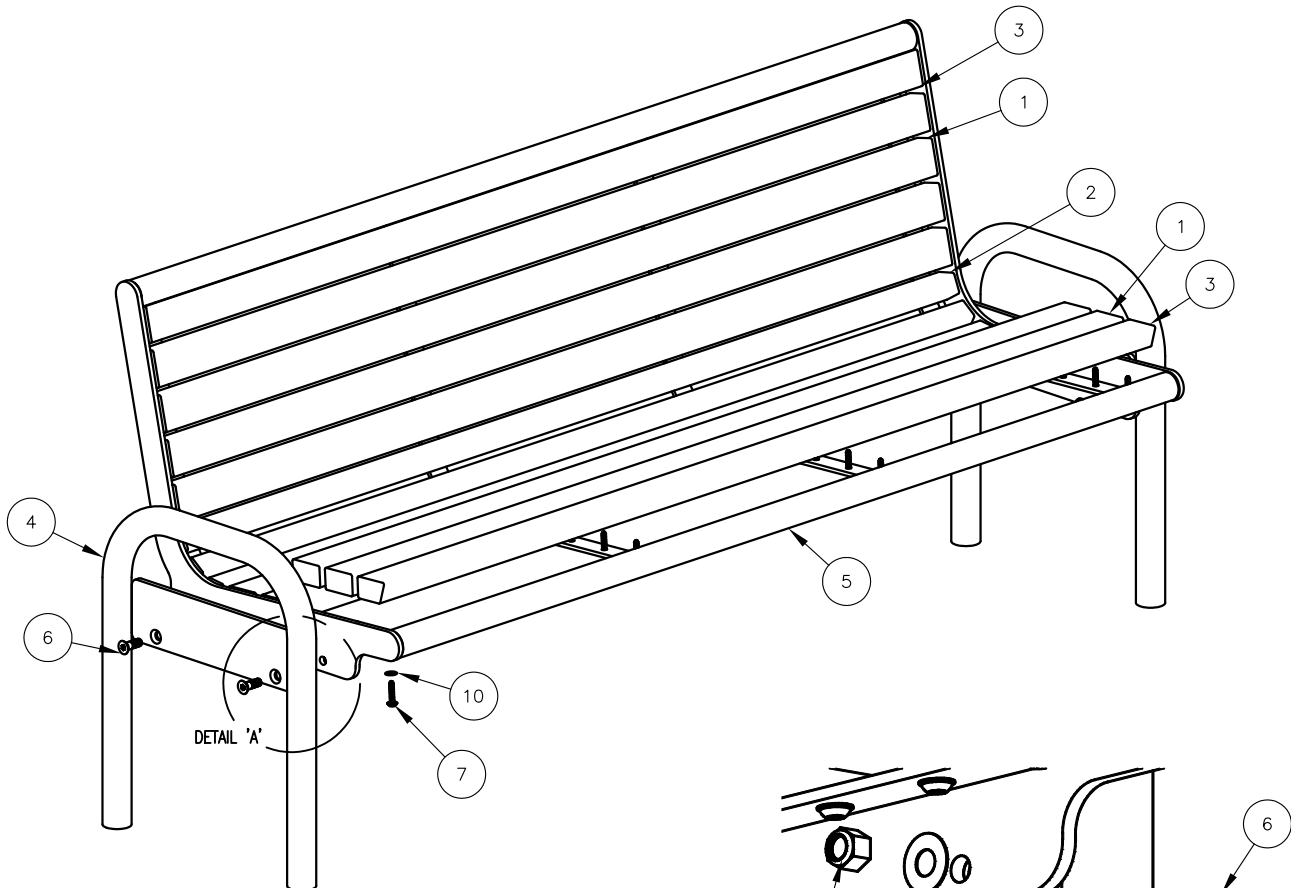
NOTES

- 1.) ALL STL. MEMBERS COATED W/ ZINC RICH EPOXY THEN FINISHED W/ POLYESTER POWDER COATING.
- 2.) 1/2" X 3 3/4" EXPANSION ANCHOR BOLTS PROVIDED.

**DuMor, inc.**  
P.O. Box 142 Mifflintown, PA 17059-0142

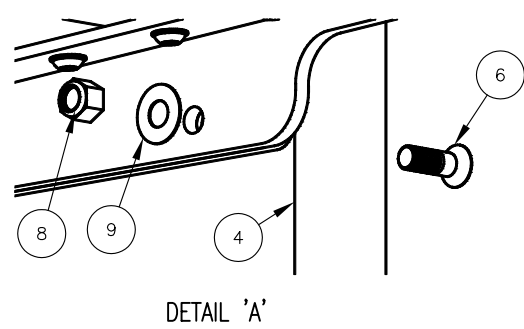
SCALE :	NONE
DATE DRAWN :	9/25/08
DRAWN BY :	AWH
DATE REV. :	12/2/09
REV. BY :	AWH

TITLE :	BENCH		
REV.	B	DRAWING NUMBER	177 SERIES PL
			SHEET 1 OF 2



**STEP 1:**

- USE 2 - PCS. STL. END SUPPORT ( 4 )
  - 1 - PC. 6' STL. SEAT FRAME ( 5 )
  - 4 - PCS. 1/2" X 1 1/2" FLT. SKT. HD. CAP SCR. ( 6 )
  - 4 - PCS. 1/2" SS NYLON LOCKNUT ( 8 )
  - 4 - PCS. 1/2" SS. FLAT WASHER ( 9 )
- ATTACH STL. END SUPPORT ( 4 ) TO 6' SEAT FRAME ( 5 ) USING HARDWARE ( 6 , 8 & 9 ). TIGHTEN TO SNUG FIT.



**STEP 2:**

- USE 8 - PCS. 2" X 3" X 71" PLASTIC INT'R SLAT ( 1 )
  - 3 - PCS. 71" PLASTIC TRAP SLAT ( 2 )
  - 2 - PCS. 71" PLASTIC PROFILE SLAT ( 3 )
  - 52 - PCS. 5/16" X 1 1/2" SS. BTN. SKT. HD. LAG ( 7 )
  - 52 - PCS. 5/16" SS. FLAT WASHER ( 10 )
- ATTACH SLATS ( 1 , 2 & 3 ) TO STEP 1 ASSEMBLY USING HARDWARE ( 7 & 10 ). TIGHTEN TO SNUG FIT.

**NOTE:**

- 1.) DURING ASSEMBLY PROCEDURE; DO NOT COMPLETELY TIGHTEN HARDWARE.
- 2.) THE ACTUAL PARTS WILL NOT BE NUMBERED: NUMBERS ONLY APPLY TO DRAWING.

**STEP 3:**

UPON COMPLETION OF BENCH ASSEMBLY SQUARE ALL COMPONENTS THEN TIGHTEN ALL HARDWARE.

**STEP 4:**

MOUNT AND ANCHOR AS SPECIFIED.

ITEM	QTY	PART NO	DESCRIPTION
1	8	0-143-60PL-01	2" X 3" X 71" PLASTIC INT'R SLAT
2	3	0-165-60PL-03	71" PLASTIC TRAP SLAT
3	2	0-165-60PL-04	71" PLASTIC PROFILE SLAT
4	2	0-177-00-01	STL END SUPPORT
5	1	0-177-60-02	6' STL SEAT FRAME
6	4	1-12-074	1/2" X 1 1/2" SS FLT SKT HD CAP
7	52	1-13-023	5/16" X 1 1/2" SS BTN SKT HD LAG
8	4	1-20-015	1/2" SS NYLON LOCKNUT
9	4	1-22-015	1/2" SS FLAT WASHER
10	52	1-22-017	5/16" SS FLAT WASHER

**DuMor, inc.**  
P.O. Box 142 Mifflintown, PA 17059-0142

SCALE : NONE  
DATE DRAWN : 9/28/08  
DRAWN BY : AWH  
DATE REV. : 12/2/09  
REV. BY : AWH

TITLE : BENCH ASSEMBLY  
REV. B  
DRAWING NUMBER 177 SERIES PL  
SHEET 2 OF 2