

LATCHING DEVICE

SLAT OPTIONS

- "CEDAR" RECYCLED PLASTIC
- "GREY" RECYCLED PLASTIC
- "GREEN" RECYCLED PLASTIC
- "REDWOOD" RECYCLED PLASTIC
- "WALNUT" RECYCLED PLASTIC
- OTHER _____

NOTES:

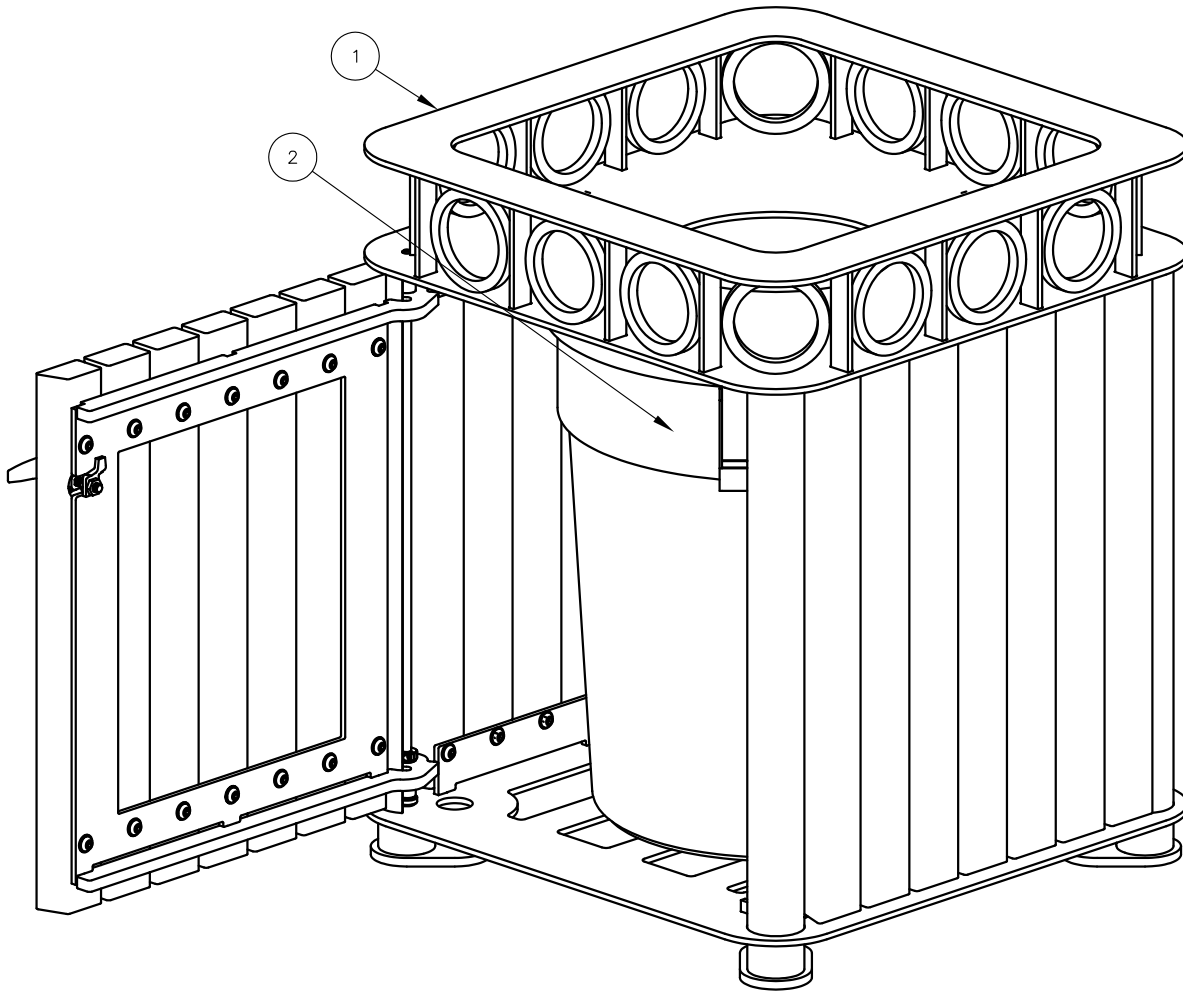
- 1.) ALL STL. MEMBERS COATED W/ ZINC RICH EPOXY THEN FINISHED W/ POLYESTER POWDER COATING.
- 2.) 1/2" X 3 3/4" EXPANSION ANCHOR BOLTS PROVIDED.
- 3.) SIDE OF RECEPTACLE HINGES OPEN FOR REMOVAL OF LINER.
- 4.) LATCH PROVIDED W/ KEY, USE OF KEY OPTIONAL.
- 5.) RECEPTACLE FULLY ASSEMBLED AT FACTORY.



DuMor, inc.
P.O. Box 142 Mifflintown, PA 17059-0142

SCALE : NONE
 DATE DRAWN : 10/9/08
 DRAWN BY : AWH
 DATE REV. : 12/17/09
 REV. BY : AWH

TITLE : RECEPTACLE	
REV. D	DRAWING NUMBER 179-22PL-FTO
SHEET 1 OF 2	



NOTE:

- 1.) RECEPTACLE SHIPPED FULLY ASSEMBLED.
- 2.) MOUNT AND ANCHOR AS SPECIFIED.

ITEM	QTY	PART NO	DESCRIPTION
1	1	0-179-20PL-FTO	20 GAL RECEPT ASSEMBLY, FLAT CVR, PL
2	1	49-22	22 GAL PL LINER W/HANDLE, BLK



DuMor, inc.
P.O. Box 142 Mifflintown, PA 17059-0142

SCALE : NONE
DATE DRAWN : 10/9/08
DRAWN BY : AWH
DATE REV. : 12/17/09
REV. BY : AWH

TITLE : RECEPTACLE ASSEMBLY

REV. D	DRAWING NUMBER 179-22PL-FTO	SHEET 2 OF 2
--------	-----------------------------	--------------