

NOTES

- 1.) ALL STL. MEMBERS COATED W/ ZINC RICH EPOXY THEN FINISHED W/ POLYESTER POWDER COATING.
- 2.) 1/2" X 3 3/4" EXPANSION ANCHOR BOLTS PROVIDED.
- 3.) 6 MIL PLASTIC LINING INCLUDED.

SLAT OPTIONS

- "CEDAR" RECYCLED PLASTIC
- "GREY" RECYCLED PLASTIC
- "GREEN" RECYCLED PLASTIC
- "REDWOOD" RECYCLED PLASTIC
- "WALNUT" RECYCLED PLASTIC
- OTHER _____



DuMor, inc.

P.O. Box 142 Mifflintown, PA 17059-0142

SCALE : NONE
 DATE DRAWN : 9/30/08
 DRAWN BY : AWH
 DATE REV. : 12/09/10
 REV. BY : RDH

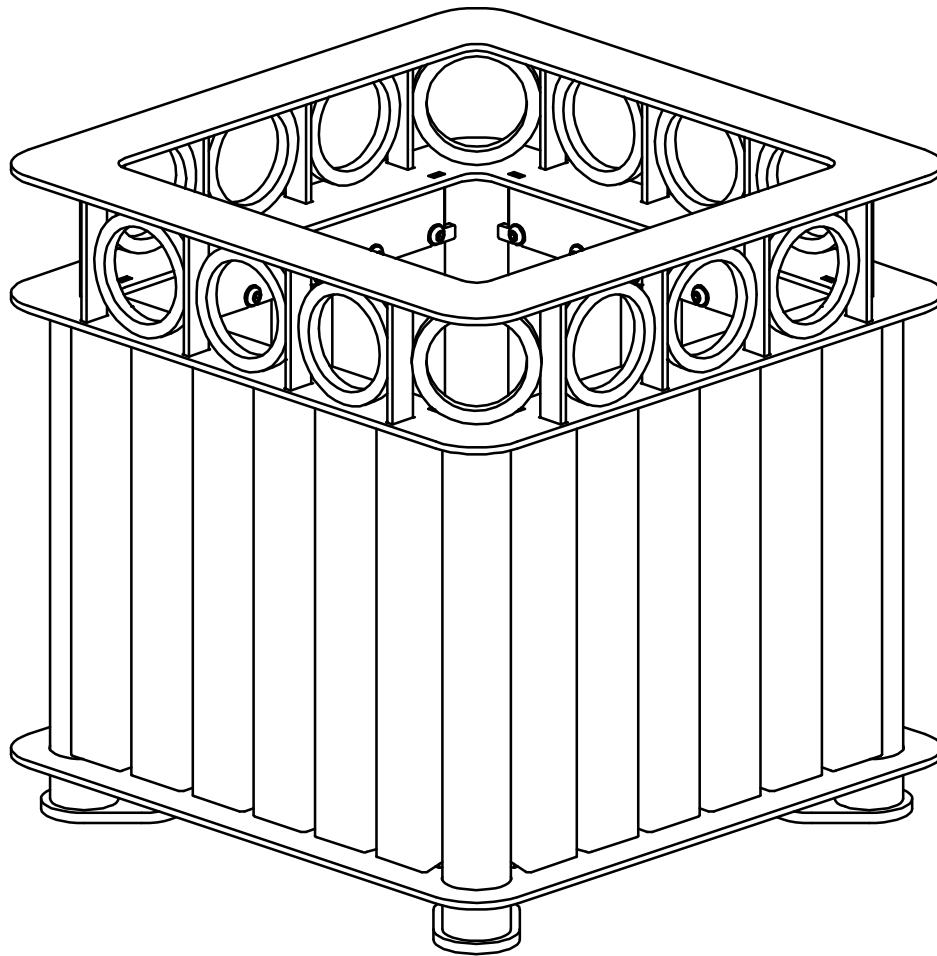
TITLE : PLANTER

REV. D

DRAWING NUMBER

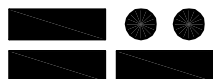
180-00PL

SHEET 1 OF 2



NOTES:

- 1.) SHIPPED FULLY ASSEMBLED.
- 2.) MOUNT AND ANCHOR AS SPECIFIED.



DuMor, inc.

P.O. Box 142 Mifflintown, PA 17059-0142

SCALE :	NONE
DATE DRAWN :	9/30/08
DRAWN BY :	AWH
DATE REV. :	12/09/10
REV. BY :	RDH

TITLE :	PLANTER	
REV.	D	DRAWING NUMBER
		180-00PL
		SHEET
		2 OF 2