

LENGTH OPTIONS

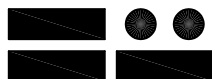
- 6' BENCH
- 8' BENCH

SLAT OPTIONS

- "CEDAR" RECYCLED PLASTIC
- "GREY" RECYCLED PLASTIC
- "GREEN" RECYCLED PLASTIC
- "REDWOOD" RECYCLED PLASTIC
- "WALNUT" RECYCLED PLASTIC
- OTHER _____

NOTES

- 1.) ALL STL. MEMBERS COATED W/ ZINC RICH EPOXY THEN FINISHED W/ POLYESTER POWDER COATING.
- 2.) $1/2$ " X $3 \frac{3}{4}$ " EXPANSION ANCHOR BOLTS PROVIDED.



DuMor, inc.

P.O. Box 142 Mifflintown, PA 17059-0142

SCALE : NONE

DATE DRAWN : 10/16/09

DRAWN BY : AWH

DATE REV. : 2/5/10

REV. BY : AWH

TITLE :

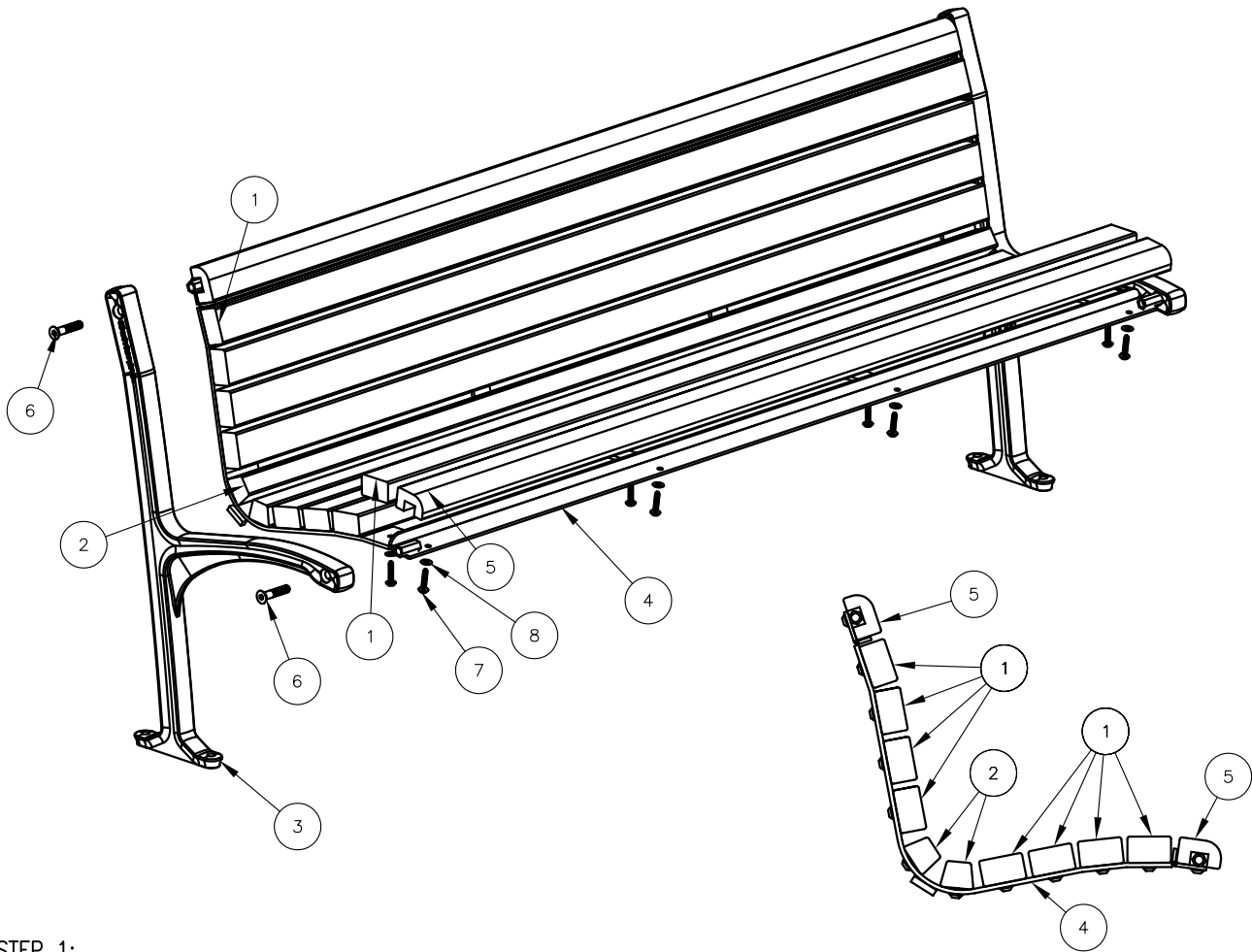
BENCH

REV.
B

DRAWING
NUMBER

185 SERIES PL

SHEET
1 OF 2



STEP 1:

- USE 1 - PCS. 6' SEAT FRAME (4)
 - 8 - PCS. 2" X 3" X 71" SLAT, PLASTIC (1)
 - 2 - PCS. 71" TRAP SLAT, PLASTIC (2)
 - 2 - PCS. 71" EDGE SLAT, PLASTIC (5)
 - 48 - PCS. 5/16" X 1 1/2" SS. BTN. SKT. HD. LAG (7)
 - 48 - PCS. 5/16" SS. FLAT WASHER (8)
- ATTACH PLASTIC SLATS (1, 2, & 5) 6' SEAT FRAME (4) USING HARDWARE (7 & 8). TIGHTEN TO SNUG FIT.

NOTE:

- 1.) DURING ASSEMBLY PROCEDURE; DO NOT COMPLETELY TIGHTEN HARDWARE.
- 2.) THE ACTUAL PARTS WILL NOT BE NUMBERED: NUMBERS ONLY APPLY TO DRAWING.

STEP 2:

- USE 2 - PCS. D.I. BENCH SUPPORT (3)
 - 4 - PCS. 1/2" X 2 1/2" FLT. SKT. HD. CAP SCR. (6)
- ATTACH D.I. BENCH SUPT (3) TO STEP 1 ASSEMBLY USING HARDWARE (6). TIGHTEN TO SNUG FIT.

STEP 3:

UPON COMPLETION OF BENCH ASSEMBLY SQUARE ALL COMPONENTS THEN TIGHTEN ALL HARDWARE.

STEP 4:

MOUNT AND ANCHOR AS SPECIFIED.

ITEM	QTY	PART NO	DESCRIPTION
1	8	0-143-60PL-01	2" X 3" X 71" PLASTIC INT'R SLAT
2	2	0-165-60PL-03	71" PLASTIC TRAP SLAT
3	2	0-185-00-01	DUCTILE IRON END SUPPORT
4	1	0-185-60-02	6' STL SEAT FRAME
5	2	0-185-60PL-05	71" EDGE SLAT, PLASTIC
6	4	1-12-065	1/2" X 2 1/2" FLT SKT HD CAP SCR
7	48	1-13-023	5/16" X 1 1/2" SS BTN SKT HD LAG
8	48	1-22-017	5/16" SS FLAT WASHER


DuMor, inc.
 P.O. Box 142 Mifflintown, PA 17059-0142

SCALE : NONE
 DATE DRAWN : 10/16/09
 DRAWN BY : AWH
 DATE REV. : 2/5/10
 REV. BY : AWH

TITLE : BENCH ASSEMBLY
 REV. B
 DRAWING NUMBER 185 SERIES PL
 SHEET 2 OF 2