

NOTES:

- 1.) ALL ALUM. & STL MEMBERS COATED W/ ZINC RICH EPOXY THEN FINISHED W/ POLYESTER POWDER COATING.
- 2.) 1/2" X 3 3/4" EXPANSION ANCHOR BOLTS PROVIDED.

DuMor, inc.
P.O. Box 142 Mifflintown, PA 17059-0142

SCALE : NONE
DATE DRAWN : 10/20/09
DRAWN BY : ESS
DATE REV. :
REV. BY :

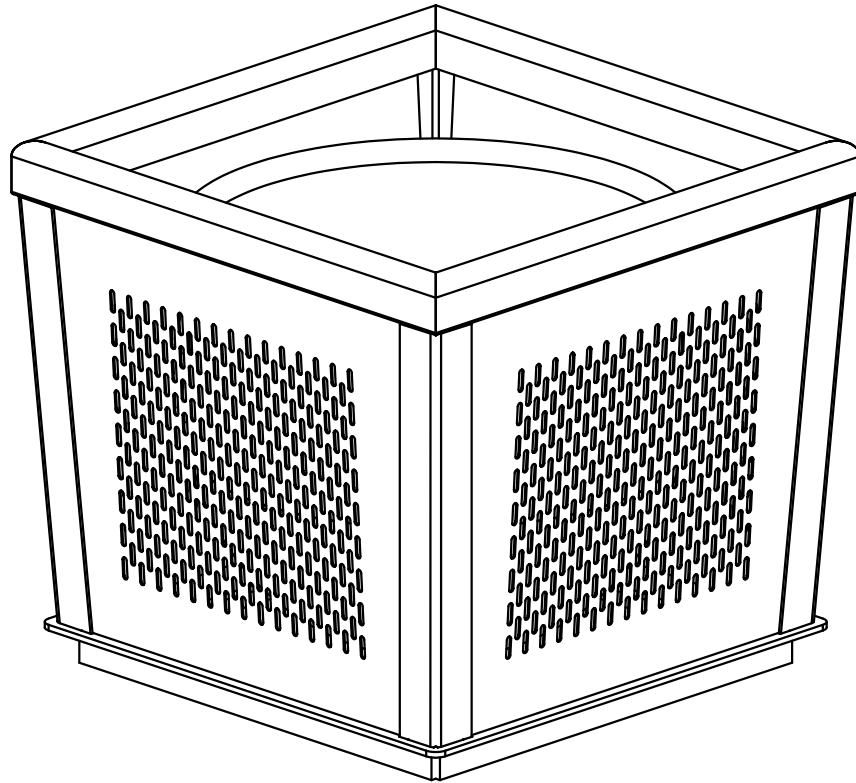
TITLE : PLANTER

REV. A


DRAWING NUMBER

189 SERIES

SHEET 1 OF 2



NOTE:
 1.) SHIPPED FULLY ASSEMBLED
 2.) MOUNT AND ANCHOR AS SPECIFIED.

 DuMor, inc. P.O. Box 142 Mifflintown, PA 17059-0142	SCALE :	NONE	TITLE :		PLANTER ASSEMBLY
	DATE DRAWN :	10/20/09	REV.	DRAWING NUMBER	
	DRAWN BY :	ESS	A	189 SERIES	SHEET
	DATE REV. :				2 OF 2
	REV. BY :				