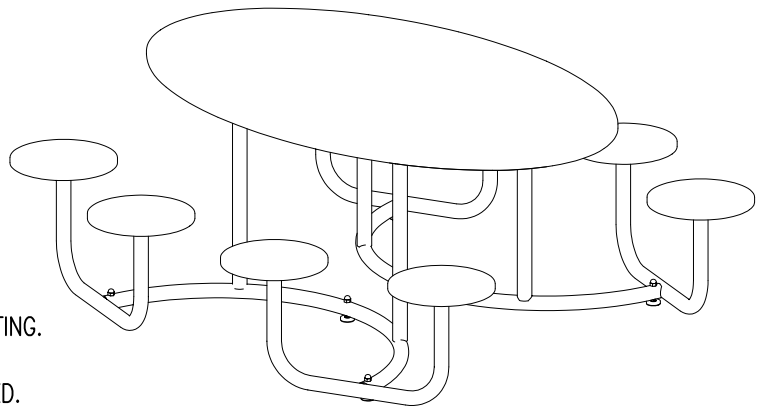


PLASTIC OPTIONS

- "CEDAR" RECYCLED PLASTIC
- "GREY" RECYCLED PLASTIC
- "GREEN" RECYCLED PLASTIC
- "REDWOOD" RECYCLED PLASTIC
- "WALNUT" RECYCLED PLASTIC
- OTHER _____

NOTES:

- 1.) ALL STL. MEMBERS COATED W/ ZINC RICH EPOXY THEN FINISHED W/ POLYESTER POWDER COATING.
- 2.) 1/2" X 2 1/2" NYLON GLIDES & 1/2" X 5 1/2" EXPANSION ANCHOR BOLTS PROVIDED.



DuMor, inc.
P.O. Box 142 Mifflintown, PA 17059-0142

SCALE : NONE
DATE DRAWN : 9/24/10
DRAWN BY : JSB
DATE REV. :
REV. BY :

TITLE : TABLE
REV. A
DRAWING NUMBER 198-80PL

SHEET 1 OF 2

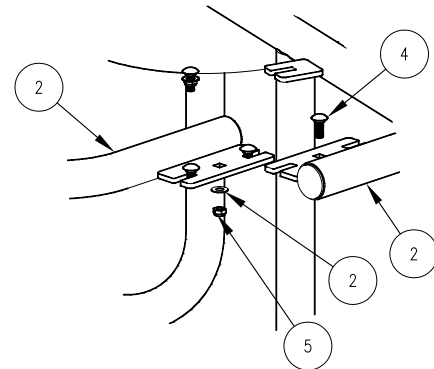
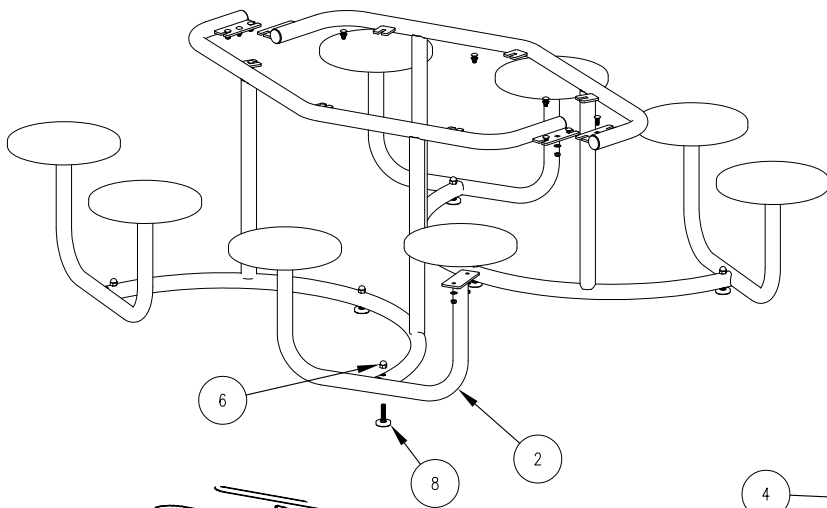
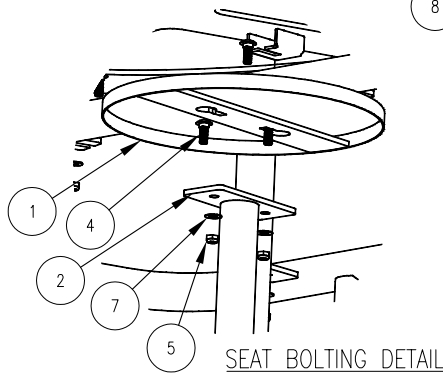


TABLE FRAME BOLTING DETAIL



SEAT BOLTING DETAIL

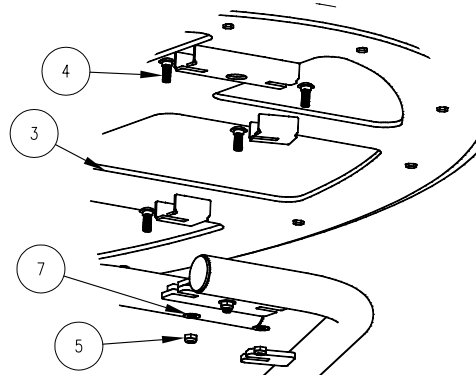
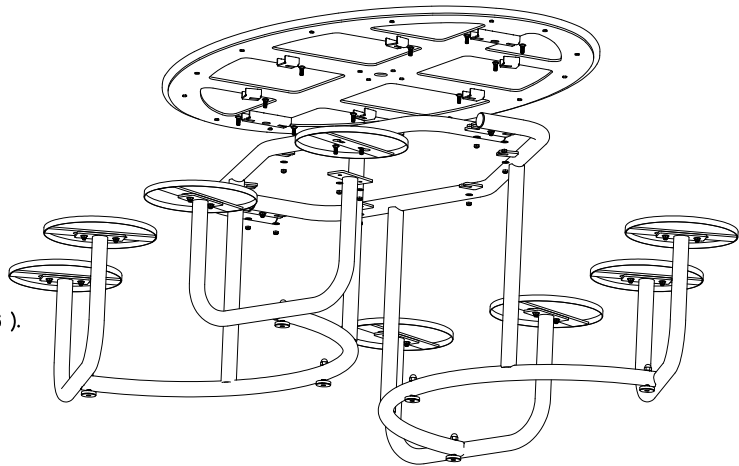


TABLE TOP BOLTING DETAIL



NOTES:

- 1.) DURING ASSEMBLY PROCEDURE;
DO NOT COMPLETELY TIGHTEN HARDWARE.
- 2.) THE ACTUAL PARTS WILL NOT BE NUMBERED;
NUMBERS ONLY APPLY TO DRAWING.

STEP 1:

- USE 2 - PCS. STL TABLE SUPPORT FRAME FOR 8 SEATS (2)
 2 - PCS. 3/8" X 1" SS CGE BOLT (4)
 2 - PCS. 3/8" SS. THIN NYLON LOCKNUT (5)
 2 - PCS. 3/8" SS. FLAT WASHER (7)
 6 - PCS. 1/2" SS. ACORN NUT (6)
 6 - PCS. 1/2" X 2 1/2" GLIDE (8)
- BOLT STL TABLE SUPPORT FRAME FOR 8 SEATS (2) TOGETHER USING HARDWARE (4, 5, & 7), ATTACH 1/2" X 2 1/2" GLIDES USING HARDWARE (6). TIGHTEN TO SNUG FIT. REPEAT UNTIL ALL GLIDE ARE ATTACHED.

STEP 2:

- USE 8 - PCS. 14" DIA STL SEAT (1)
 16 - PCS. 3/8" X 1" SS CGE BOLT (4)
 16 - PCS. 3/8" SS. THIN NYLON LOCKNUT (5)
 16 - PCS. 3/8" SS. FLAT WASHER (7)
- ATTACH 14" DIA STL SEAT (1) TO STEP 1 ASSEMBLY USING HARDWARE (4, 5, & 7). TIGHTEN TO SNUG FIT. REPEAT UNTIL ALL 14" DIA STL SEAT ARE ATTACHED.

STEP 3:

- USE 1 - PC. TABLE TOP ASSEMBLY, PLASTIC (3)
 32 - PCS. 3/8" X 1" SS CGE BOLT (4)
 32 - PCS. 3/8" SS. THIN NYLON LOCKNUT (5)
 32 - PCS. 3/8" SS. FLAT WASHER (7)
- ATTACH TABLE TOP ASSEMBLY, PLASTIC (3) TO STEP 2 ASSEMBLY USING HARDWARE (4, 5, & 7). TIGHTEN TO SNUG FIT.

STEP 4:

UPON COMPLETION OF TABLE ASSEMBLY SQUARE ALL COMPONENTS THEN TIGHTEN ALL HARDWARE.

ITEM	QTY	PART NO	DESCRIPTION
1	8	0-198-00-02	14" DIA STL SEAT
2	2	0-198-80-01	STL TABLE SUPPORT FRAME FOR 8 SEATS
3	1	0-198-80PL	OVAL TABLE TOP ASSEMBLY, PLASTIC
4	28	1-11-028	3/8" X 1" SS CGE BOLT
5	28	1-20-019	3/8" SS THIN NYLON LOCKNUT
6	6	1-21-019	1/2" SS HEX ACORN NUT
7	28	1-22-024	3/8" SS FLAT WASHER
8	6	5-48-643	1/2" X 2" GLIDE



DuMor, inc.

P.O. Box 142 Mifflintown, PA 17059-0142

SCALE : NONE

DATE DRAWN : 9/24/10

DRAWN BY : JSB

DATE REV. :

REV. BY :

TITLE :

TABLE DETAIL

REV.

A

DRAWING NUMBER

198-80PL

SHEET

2 OF 2