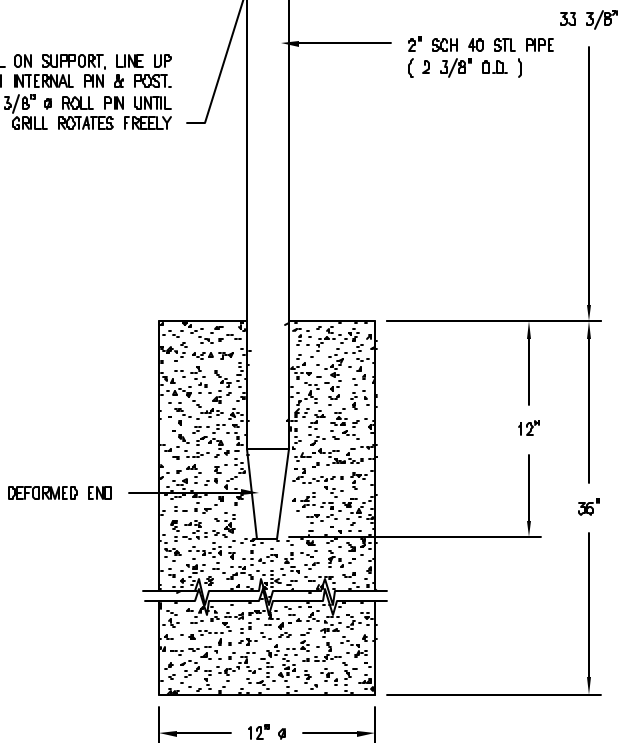


PLACE GRILL ON SUPPORT, LINE UP HOLES IN INTERNAL PIN & POST. INSERT 3/8" Ø ROLL PIN UNTIL GRILL ROTATES FREELY



NOTES

- 1.) GRILL FINISHED W/ HEAT RESISTANT BLACK ENAMEL.
- 2.) GRILL ROTATES FREELY 360° FOR DRAFT CONTROL.
- 3.) USE MODEL NO. (27-00SS) FOR OPTIONAL S.STL. ASH PAN.

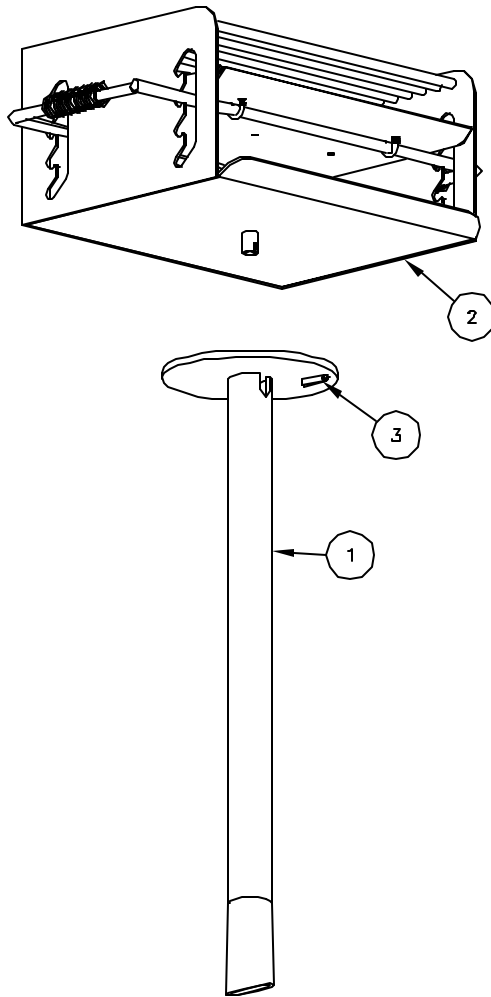


DuMor, inc.

P.O. Box 142 Mifflintown, PA 17059-0142

SCALE :	NONE
DATE DRAWN :	3/22/94
DRAWN BY :	CDC
DATE REV. :	9/28/05
REV. BY :	JSB

TITLE :	GRILL	
REV.	DRAWING NUMBER	SHEET
B	27-00	1 OF 2



NOTE:

1. ACTUAL PARTS WILL NOT BE NUMBERED:
NUMBERS ONLY APPLY TO DRAWING.


STEP 1:

USE 1 - PC. SUPPORT POST FOR EMBEDMENT (1)
MOUNT AND LEVEL EMBEDMENT POST (1) AS SPECIFIED
ON SHEET 1.

STEP 2:

USE 1 - PC. GRILL BODY W/ CHARCOAL PAN (2)
1 - PC. 3/8" X 1 3/4" ROLL PIN (3)
AFTER CONCRETE HARDENS, PLACE GRILL BODY W/ CHARCOAL
PAN (2) ON TO SUPPORT POST (1), THEN LINE UP HOLES
IN INTERNAL PIN WITH SLOTS IN POST. DRIVE 3/8" ROLL PIN
(3) INTO INTERNAL PIN UNTIL GRILL BODY ROTATES FREELY.

ITEM	QTY	PART NO	DESCRIPTION
1	1	D-21-00-02	POST FOR EMBEDMENT
2	1	D-27-00	GRILL BODY W/ CHARCOAL PAN
3	1	1-14-001	3/8" X 1 3/4" ROLL PIN

 DuMor, inc. P.O. Box 142 Mifflintown, PA 17059-0142	SCALE :	NONE	TITLE :		GRILL ASSEMBLY 27-00
	DATE DRAWN :	3/22/94	REV.	DRAWING NUMBER	
	DRAWN BY :	CDC	B		
	DATE REV. :	9/28/05			
	REV. BY :	JSB		SHEET	2 OF 2