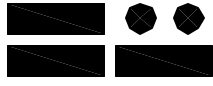
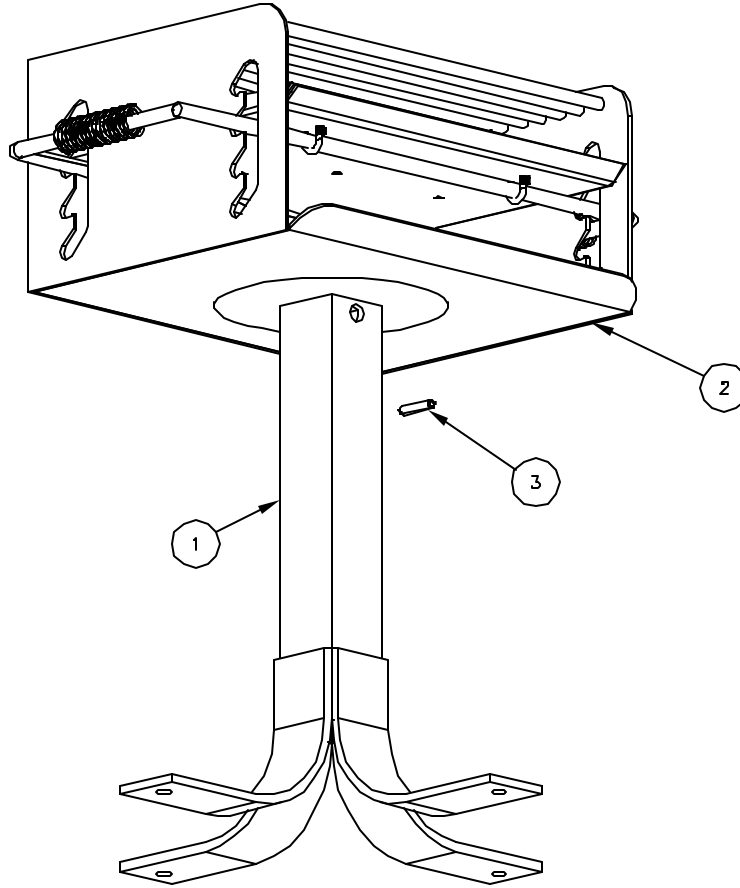


NOTES

- 1.) GRILL FINISHED W/ HEAT RESISTANT BLACK ENAMEL.
- 2.) GRILL ROTATES FREELY 360° FOR DRAFT CONTROL.
- 3.) 1/2" X 3 3/4" EXPANSION ANCHOR BOLTS PROVIDED.
- 4.) USE MODEL NO. ( 28-00SS ) FOR OPTIONAL S.STL. ASH PAN.

 <b>DuMor, inc.</b> P.O. Box 142 Mifflintown, PA 17059-0142	SCALE : NONE	TITLE : GRILL		
	DATE DRAWN : 3/22/94	REV.	DRAWING NUMBER	SHEET
	DRAWN BY : CDC	A	28-00	1 OF 2
	DATE REV. : REV. BY :			



NOTE:

1.) THE ACTUAL PARTS WILL NOT BE NUMBERED;  
NUMBERS ONLY APPLY TO DRAWING.

STEP 1:

USE 1 - PC. GULL WING SUPPORT POST ( 1 )  
MOUNT AND LEVEL GULLWING SUPPORT POST ( 1 )  
AS SPECIFIED ON SHEET 1.

STEP 2:

USE 1 - PC. GRILL BODY W/ CHARCOAL PAN ( 2 ).  
1 - PC. 3/8" X 1 3/4" ROLL PIN ( 3 ).  
PLACE GRILL BODY W/ CHARCOAL PAN ( 2 ) ON TO GULL WING  
SUPPORT POST ( 1 ), THEN LINE UP HOLES IN INTERNAL  
PIN WITH SLOTS IN POST. DRIVE 3/8" ROLL PIN ( 3 )  
INTO INTERNAL PIN UNTIL GRILL BODY ROTATES FREELY.

ITEM	QTY	PART NO	DESCRIPTION
1	1	0-22-00-01	FREE STANDING SUPPORT POST
2	1	0-27-00	GRILL BODY W/ CHARCOAL PAN
3	1	1-14-001	3/8" X 1 3/4" ROLL PIN
5	1	K-21	GRILL HARDWARE KIT



**DuMor, inc.**

P.O. Box 142 Mifflintown, PA 17059-0142

SCALE : NONE  
DATE DRAWN : 3/22/94  
DRAWN BY : CDC  
DATE REV. :  
REV. BY :

TITLE : GRILL ASSEMBLY

REV. A

DRAWING NUMBER

28-00

SHEET 2 OF 2