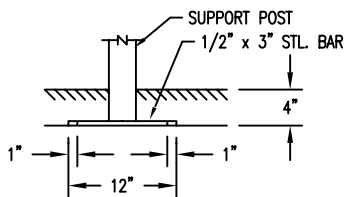
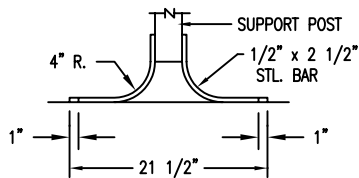


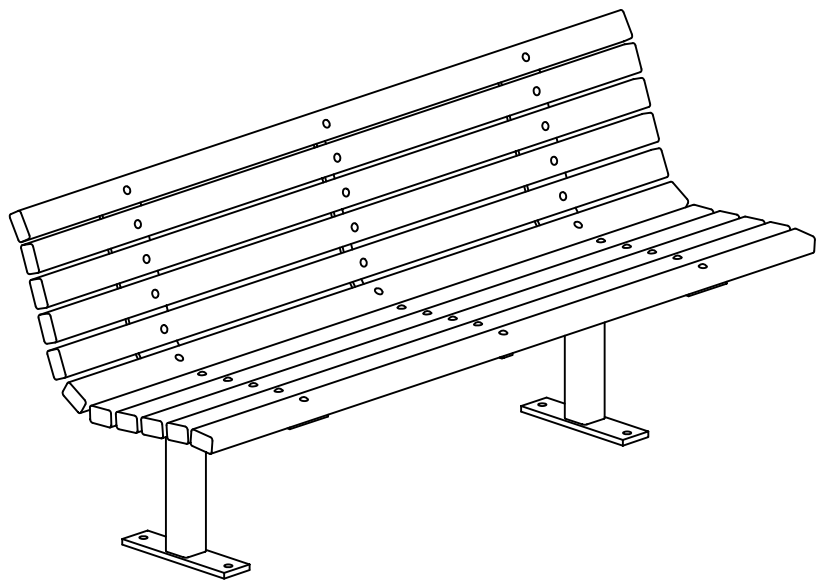
S-1 EMBEDMENT



S-4 SUB FLOOR



S-3 GULL WING



LENGTH OPTIONS

- 6' BENCH
- 8' BENCH

NOTES

- 1.) ALL STL. MEMBERS COATED W/ ZINC RICH EPOXY THEN FINISHED W/ POLYESTER POWDER COATING.
- 2.) ALL WOOD MEMBERS TREATED W/ CLEAR PRESERVATIVE.
- 3.) 1/2" X 3 3/4" EXPANSION ANCHOR BOLTS PROVIDED FOR S-2, S-3 & S-4 OPTIONS.

WOOD OPTIONS

- CLEAR ALL HEART REDWOOD S4S EE
- 'C' & BTR. DOUGLAS FIR KD S4S EE
- OTHER _____


DuMor, inc.
 P.O. Box 142 Mifflintown, PA 17059-0142

SCALE : NONE
 DATE DRAWN : 3/22/94
 DRAWN BY : AH
 DATE REV. : 12/15/08
 REV. BY : ESS

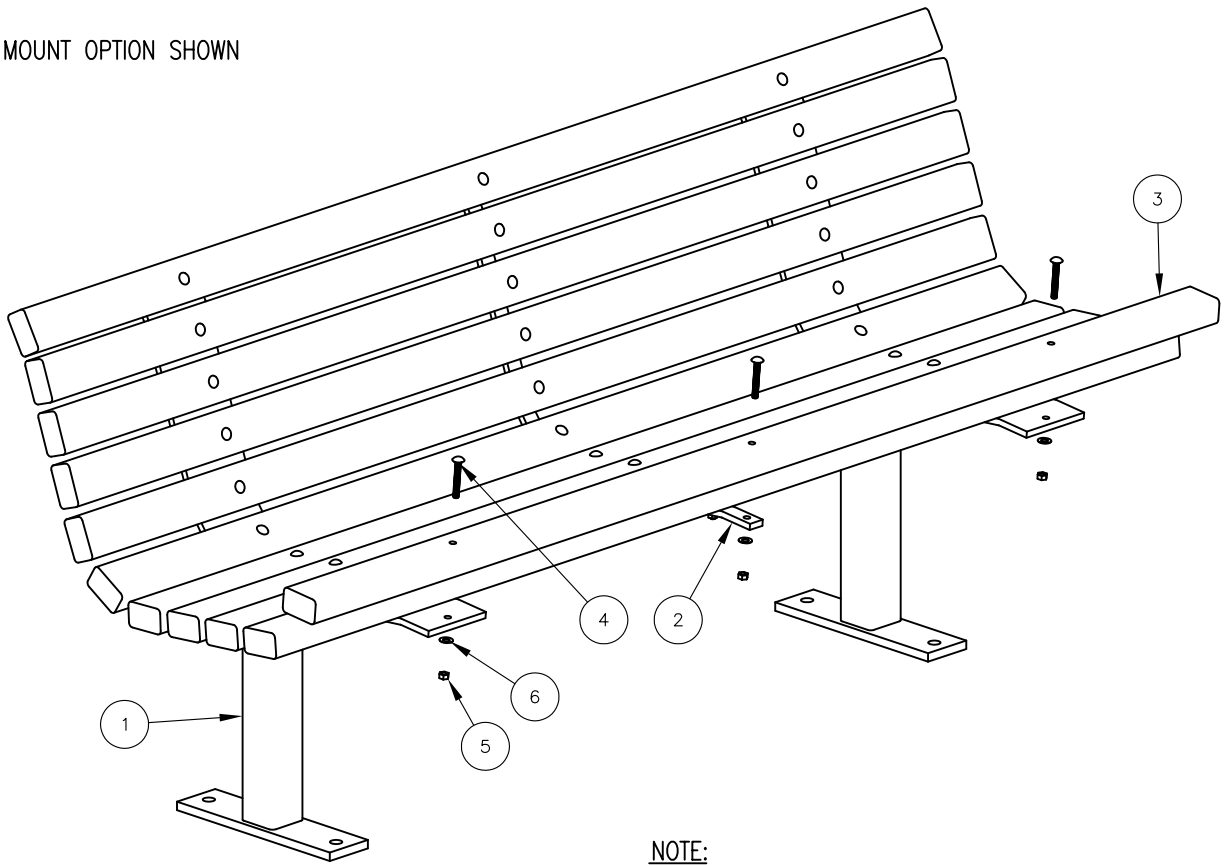
TITLE : BENCH
 REV. F

DRAWING NUMBER

34 SERIES

SHEET 1 OF 2

SURFACE MOUNT OPTION SHOWN



NOTE:

- 1.) DURING ASSEMBLY PROCEDURE;
DO NOT COMPLETELY TIGHTEN HARDWARE.
- 2.) THE ACTUAL PARTS WILL NOT BE NUMBERED;
NUMBERS ONLY APPLY TO DRAWING.
- 3.) SEE SPEC. SHEET 1 FOR MOUNTING OPTION.

STEP 1:

- USE 2 - PCS. SUPPORT POST FOR SURFACE MOUNT (1)
- 11 - PCS. 2" X 3" X 71" WOOD SLAT (3)
- 22 - PCS. 5/16" X 2 1/4" SS. CGE. BOLT (4)
- 22 - PCS. 5/16" SS. FLAT WASHER (6)
- 22 -PCS. 5/16" SS. HEX NUT (5)

ATTACH 2" X 3" X 71" WOOD SLAT (3) TO SUPPORT POST FOR SURFACE MOUNT (1) USING HARDWARE (4, 5 & 6). TIGHTEN TO SNUG FIT. REPEAT UNTIL ALL SLATS ARE ATTACHED TO SUPPORTS.

STEP 2:

- USE 1 - PC. CENTER CONTOUR STRAP (2)
- 11 - PCS. 5/16" X 2 1/4" SS. CGE. BOLT (4)
- 11 - PCS. 5/16" SS. FLAT WASHER (6)
- 11 - PCS. 5/16" SS. HEX NUT (5)

ATTACH CENTER CONTOUR STRAP (2) TO STEP 1 ASSEMBLY USING HARDWARE (4, 5 & 6). TIGHTEN TO SNUG FIT.


STEP 3:

UPON COMPLETION OF BENCH ASSEMBLY SQUARE ALL COMPONENTS THEN TIGHTEN ALL HARDWARE.

STEP 4:

ANCHOR ACCORDING TO SUPPORT OPTION USED.

ITEM	QTY	PART NO	DESCRIPTION
1	2	0-34-00-02/S-2	SUPPORT POST FOR SURFACE MOUNT
2	1	0-34-00-04	CENTER CONTOUR STRAP
3	11	0-34-60-01	2" X 3" X 71" WOOD SLAT
4	33	1-11-062	5/16" X 2 1/4" SS CGE BOLT
5	33	1-21-015	5/16" SS HEX NUT
6	33	1-22-017	5/16" SS FLAT WASHER

 DuMor, inc. P.O. Box 142 Mifflintown, PA 17059-0142	SCALE : NONE	TITLE : BENCH ASSEMBLY		
	DATE DRAWN : 3/22/24	F	34 SERIES	
	DRAWN BY : AH			REV. DRAWING NUMBER
	DATE REV. : 12/15/08			SHEET
REV. BY : ESS			2 OF 2	