

NOTES

- 1.) ALL STL. MEMBERS COATED W/ ZINC RICH EPOXY THEN FINISHED W/ BLACK POLYESTER POWDER COATING.

SLAT OPTIONS

- "CEDAR" RECYCLED PLASTIC
- "GREY" RECYCLED PLASTIC
- "REDWOOD" RECYCLED PLASTIC
- "GREEN" RECYCLED PLASTIC
- OTHER \_\_\_\_\_



**DuMor, inc.**

P.O. Box 142 Mifflintown, PA 17059-0142

SCALE : NONE

DATE DRAWN : 12/15/03

DRAWN BY : JSB

DATE REV. : 4/6/06

REV. BY : JSB

TITLE :

RECEPTACLE

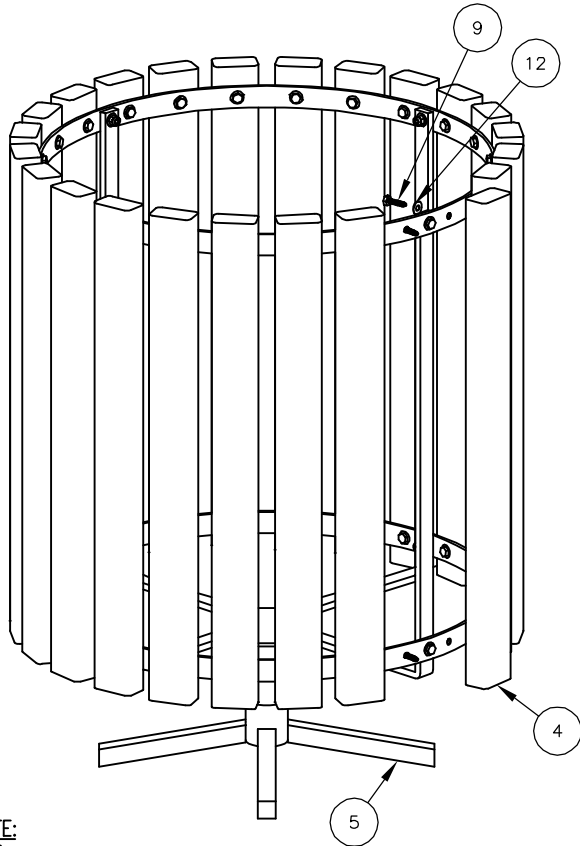
REV.

DRAWING  
NUMBER

B

43-32PL/46-00

SHEET  
1 OF 2



**NOTE:**

- 1.) DURING ASSEMBLY PROCEDURE:  
DO NOT COMPLETELY TIGHTEN HARDWARE.
- 2.) THE ACTUAL PARTS WILL NOT BE NUMBERED:  
NUMBERS ONLY APPLY TO DRAWING.

**STEP 1:**

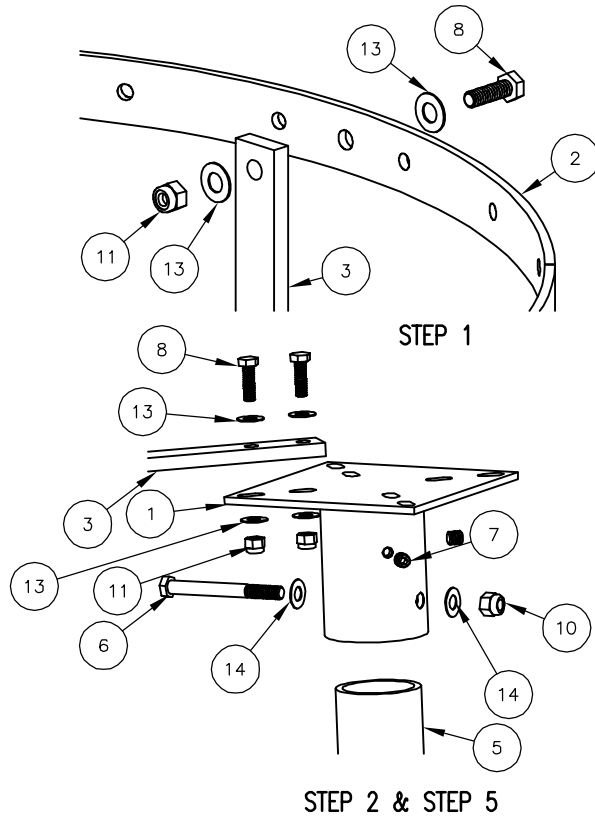
- USE 2 - PCS. HOOP FOR 30 GAL ( 2 )
  - 4 - PCS. "L" SUPPORT STRAP FOR 30 GAL ( 3 )
  - 8 - PCS. 5/16" X 1" SS. HEX HD. CAP SCR. ( 8 )
  - 8 - PCS. 5/16" SS. NYLON LOCK NUT ( 11 )
  - 16 - PCS. 5/16" SS. FLAT WASHER ( 13 )
- ATTACH "L" SUPPORT STRAP ( 3 ) TO INSIDE OF HOOPS ( 2 ) USING HARDWARE ( 8, 11, & 13 ). TIGHTEN TO SNUG FIT.  
REPEAT UNTIL ALL "L" SUPPORT STRAPS ARE ATTACHED TO HOOPS.

**STEP 2:**

- USE 1 - PC. CENTER BRACKET ( 1 )
  - 8 - PCS. 5/16" X 1" SS. HEX HD. CAP SCR. ( 8 )
  - 8 - PCS. 5/16" SS. NYLON LOCK NUT ( 11 )
  - 16 - PCS. 5/16" SS. FLAT WASHER ( 13 )
- ATTACH CENTER BRACKET ( 1 ) TO STEP 1 ASSEMBLY USING HARDWARE ( 8, 11, & 13 ). TIGHTEN TO SNUG FIT.

**STEP 3:**

- USE 24 - PCS. 2" X 3" X 28 1/2" PLASTIC SLAT ( 4 )
  - 48 - PCS. 1/4" X 1 1/4" SS. HEX HD. LAG SCR. ( 9 )
  - 48 - PCS. 1/4" SS. FLAT WASHER ( 12 )
- ATTACH 2" X 3" X 28 1/2" PLASTIC SLATS ( 4 ) TO STEP 2 ASSEMBLY USING HARDWARE ( 9 & 12 ). TIGHTEN TO SNUG FIT. REPEAT UNTIL ALL SLATS ARE ATTACHED.



**STEP 4:**

UPON COMPLETION OF BASKET ASSEMBLY SQUARE ALL COMPONENTS THEN TIGHTEN ALL HARDWARE.

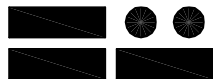
**STEP 5:**

- USE 1 - PC. FREE STANDING BASE ( 5 )
  - 1 - PC. 3/8" X 3 1/2" SS. HEX HD. CAP SCR. ( 6 )
  - 1 - PC. 3/8" SS. NYLON LOCKNUT ( 10 )
  - 2 - PC. 3/8" SS. FLAT WASHER ( 14 )
  - 2 - PCS. 3/8" X 3/8" SS. SKT. SET SCR. ( 7 )
- ATTACH FREE STANDING BASE ( 6 ) TO STEP 4 ASSEMBLY USING HARDWARE ( 6, 7, 10, & 14 ) AND TIGHTEN ALL HARDWARE.

**STEP 6:**

TO ATTACH COVER, REMOVE ONE 1/4" X 1 1/4" LAG SCREW AND FASTEN OPEN END OF CABLE TO BASKET USING THE LAG REMOVED.

ITEM	QTY	PART NO	DESCRIPTION
1	1	0-41-00-04	CENTER BRACKET
2	2	0-41-30-01	HOOP FOR 30 GAL
3	4	0-41-30-07	"L" SUPPORT STRAP FOR 30 GAL
4	24	0-41-30PL-06	2" X 3" X 28 1/2" PLASTIC SLAT
5	1	0-43-00-01	FREE STANDING BASE
6	1	1-12-034	3/8" X 3 1/2" SS HEX HD CAP SCR
7	2	1-12-054	3/8" X 3/8" SS SKT SET SCR
8	16	1-12-061	5/16" X 1" SS HEX HD CAP SCR
9	48	1-13-004	1/4" X 1 1/4" SS HEX HD LAG SCR
10	1	1-20-007	3/8" SS NYLON LOCKNUT
11	16	1-20-016	5/16" SS NYLON LOCKNUT
12	48	1-22-006	1/4" SS FLAT WASHER
13	32	1-22-017	5/16" SS FLAT WASHER
14	2	1-22-024	3/8" SS FLAT WASHER



**DuMor, inc.**

P.O. Box 142 Mifflintown, PA 17059-0142

SCALE : NONE

DATE DRAWN : 12/15/03

DRAWN BY : JSB

DATE REV. : 4/6/06

REV. BY : AWH

TITLE :

RECEPTACLE ASSEMBLY

REV. B

DRAWING NUMBER

43-32PL/46-00

SHEET 2 OF 2