

NOTES

- 1.) STL. MEMBERS COATED W/ ZINC RICH EPOXY THEN FINISHED W/ POLYESTER POWDER COATING.
- 2.) 1/2" X 3 3/4" EXPANSION ANCHOR BOLTS PROVIDED FOR S-2 OPTION.



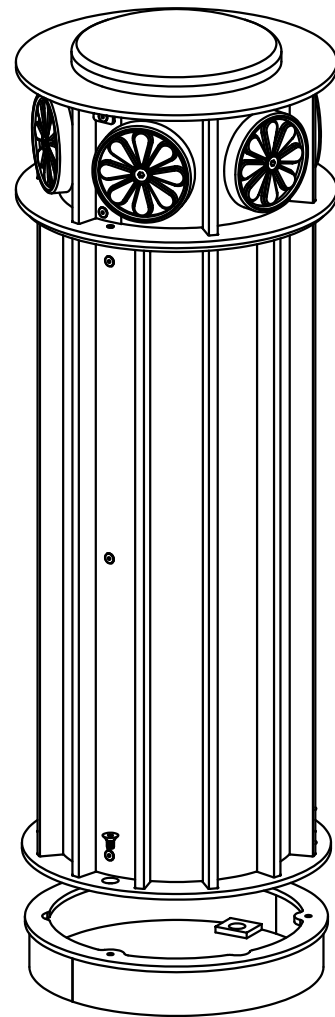
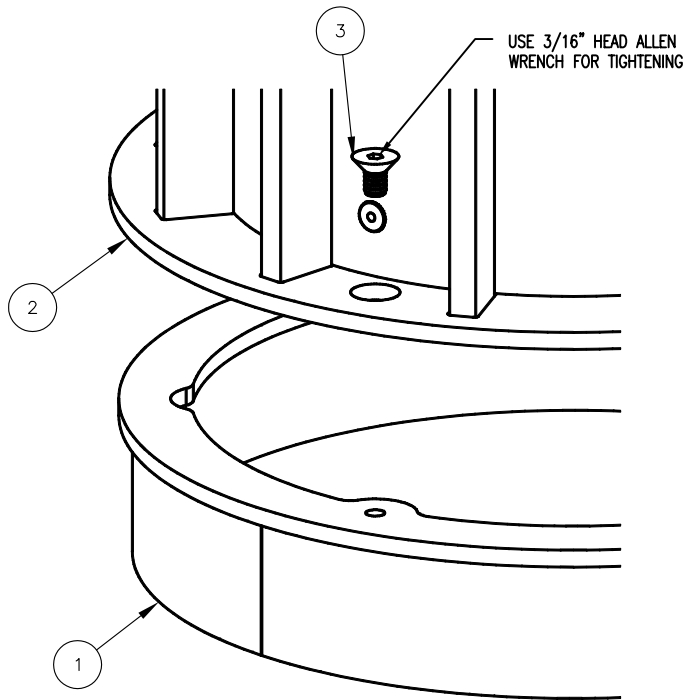
**DuMor, inc.**  
P.O. Box 142 Mifflintown, PA 17059-0142

SCALE : NONE  
DATE DRAWN : 11/10/05  
DRAWN BY : JSB  
DATE REV. : 03/17/09  
REV. BY : ESS

TITLE : BOLLARD

REV. C  
DRAWING NUMBER 451-36-03

SHEET 1 OF 2



**STEP 1:**

USE 1 - PC. STL ROUND BOLLARD BASE ( 1 )  
 ANCHOR ACCORDING TO SUPPORT OPTION USED. LEVEL  
 AND SQUARE ROUND BOLLARD BASE BEFORE ATTACHING  
 ROUND BOLLARD ASSEMBLY. WHEN USING OVER  
 EXISTING BOLLARD, USE S-2 SUPPORT AND CENTER  
 EXISTING BOLLARD EVENLY IN THE MIDDLE OF BOLLARD BASE.

**STEP 2:**

USE 1 - PC STL ROUND BOLLARD BASE, PLATES ( 1 )  
 USE 1 - PC 36" STL ROUND BOLLARD ASMBLY ( 2 )  
 USE 3 - PCS. 5/16" X 1/2" SS FLT SKT HD CAP SCREW ( 3 )  
 ATTACH BASE ( 1 ) TO 36" STL ROUND BOLLARD ASSEMBLY ( 2 )  
 USING HARDWARE ( 3 ).

**NOTES:**

- 1.) DURING ASSEMBLY PROCEDURE;  
DO NOT COMPLETELY TIGHTEN HARDWARE.
- 2.) UPON COMPLETION OF BOLLARD,  
SQUARE ALL COMPONETS AND TIGHTEN  
ALL HARDWARE.
- 3.) THE ACTUAL PARTS WILL NOT BE NUMBERED:  
NUMBERS ONLY APPLY TO DRAWING.
- 4.) SEE SPEC. SHEET 1 FOR MOUNTING OPTION.
- 5.) INSTALLATION TIME MAY VARY DUE TO  
ANCHORING APPLICATIONS.
- 6.) FOR 1/2" EXPANSION ANCHORS USE 1/2" DIA.  
DRILL BIT TO DRILL INTO CONCRETE.

ITEM	QTY	PART NO	DESCRIPTION
1	1	0-451-00/S-2	STL ROUND BOLLARD BASE, PLATES
2	1	0-451-36-03	36" STL ROUND BOLLARD ASMBLY, ROSETTES
3	3	1-12-015	5/16" X 1/2" SS FLT SKT HD CAP SCR

**DuMor, inc.**  
 P.O. Box 142 Mifflintown, PA 17059-0142

SCALE : NONE  
 DATE DRAWN : 11/10/05  
 DRAWN BY : JSB  
 DATE REV. : 03/17/09  
 REV. BY : ESS

TITLE :		BOLLARD	
REV.	DRAWING NUMBER		SHEET
C	451-36-03		2 OF 2