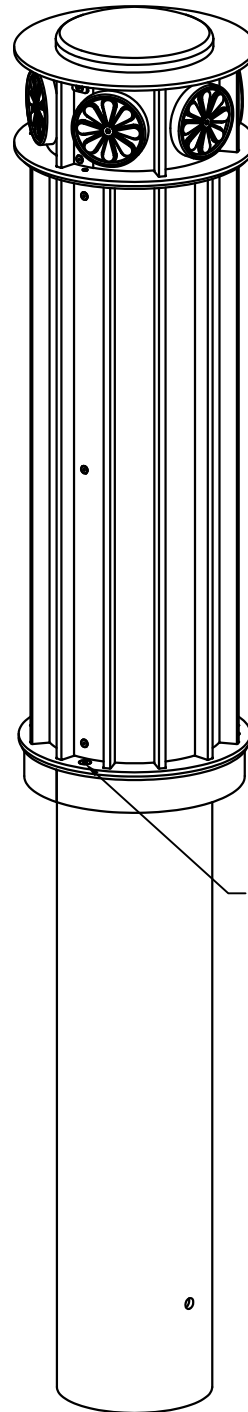
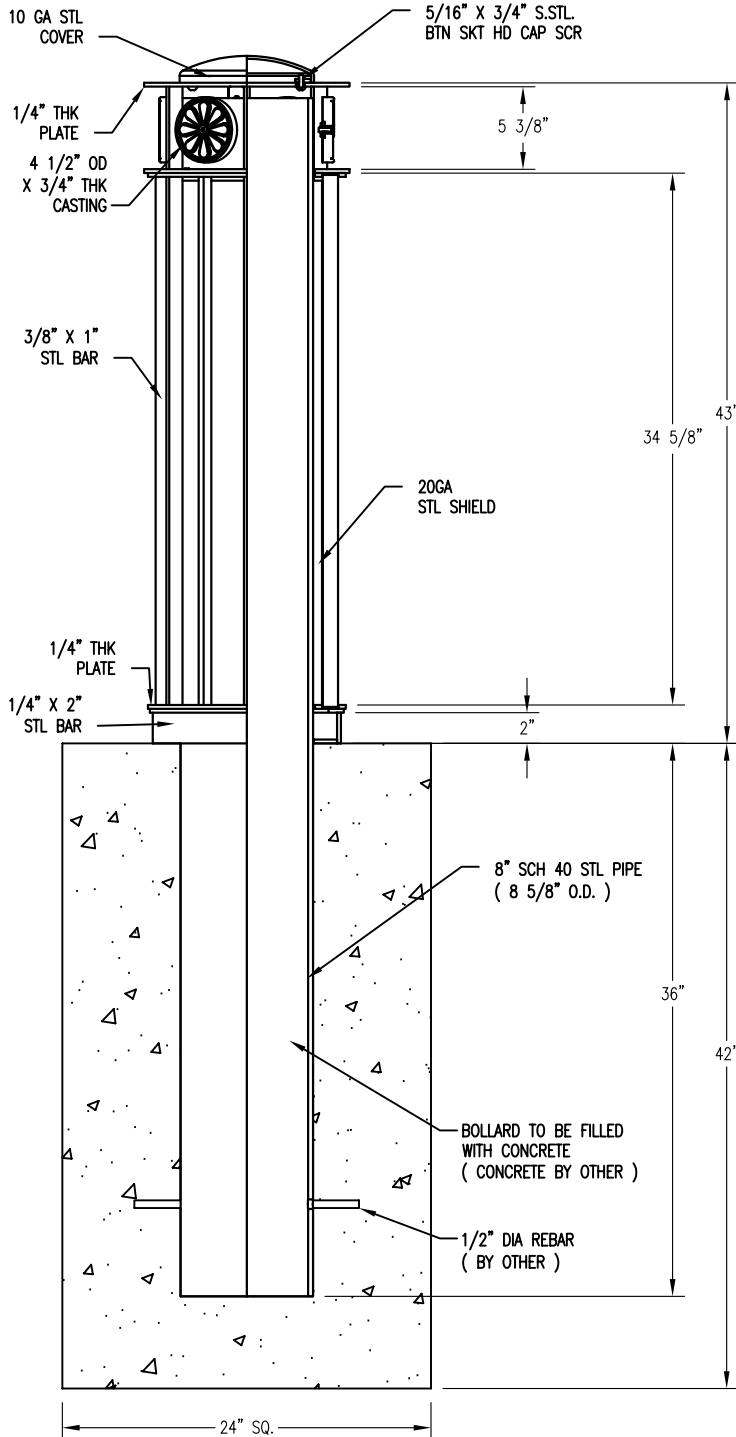


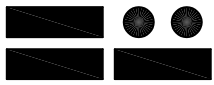
13 3/8"  $\phi$

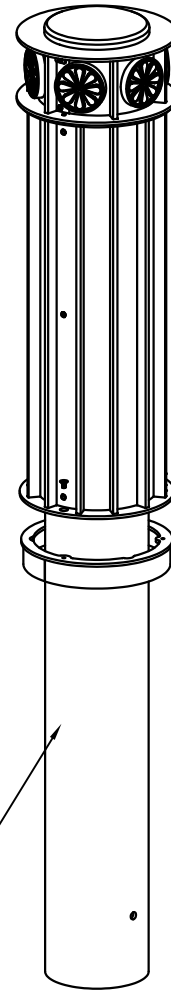
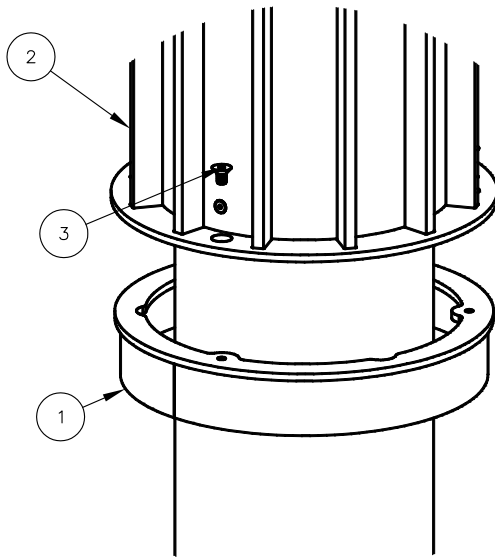


5/16" X 1/2" S.STL.  
FLT SKT HD BOLT

NOTES

- 1.) STL. MEMBERS COATED W/ ZINC RICH EPOXY THEN FINISHED W/ POLYESTER POWDER COATING.

 <b>DuMor, inc.</b> P.O. Box 142 Mifflintown, PA 17059-0142	SCALE :	NONE	TITLE :		BOLLARD	
	DRAWN BY :	JSB	REV. :	DRAWING NUMBER		
	DATE REV. :	03/17/09	C	451-42-03/S-1X		
	REV. BY :	ESS		SHEET		
				1 OF 2		



8" SCH 40 BOLLARD AND ROUND BOLLARD BASE MANUFACTURED AS ONE PIECE, ITEM ( 1 ), FOR SQUARE AND STABILITY OF DECORATIVE BOLLARD ATTACHMENT. BE SURE TO COVER ROUND PORTION OF BASE BEFORE POURING CONCRETE.

**STEP 1:**

USE 1 - PC. STL ROUND BOLLARD BASE FOR SECURITY ( 1 )  
 PLACE INTO FOOTER AS SHOWN ON FRONT PAGE. SQUARE AND PLUM BOLLARD. ONCE SQUARED, FILL BOLLARD AND FOOTER WITH CONCRETE.

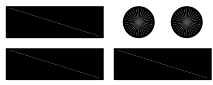
**STEP 2:**

USE 1 - PC. 42" STL ROUND BOLLARD ASMBLY. ( 2 )  
 USE 3 - PCS. 5/16" X 1/2" SS FLT SKT HD CAP SCREW ( 3 )  
 ATTACH 42" ROUND STL BOLLARD ASSEMBLY ( 2 ) TO STEP 1 USING HARDWARE ( 3 ).

**NOTES:**

- 1.) DURING ASSEMBLY PROCEDURE;  
DO NOT COMPLETELY TIGHTEN HARDWARE.
- 2.) UPON COMPLETION OF BOLLARD ASSEMBLY  
SQUARE AND TIGHTEN ALL HARDWARE.
- 3.) THE ACTUAL PARTS WILL NOT BE NUMBERED;  
NUMBERS ONLY APPLY TO DRAWING.

ITEM	QTY	PART NO	DESCRIPTION
1	1	0-451-42/S-1X	42" STL ROUND BOLLARD BASE FOR SECURITY
2	1	0-451-42-03	42" STL ROUND BOLLARD ASMBLY, ROSETTES
3	3	1-12-015	5/16" X 1/2" SS FLT SKT HD CAP SCR

 <b>DuMor, inc.</b> P.O. Box 142 Mifflintown, PA 17059-0142	SCALE :	NONE		TITLE :  BOLLARD	
	DATE DRAWN :	11/14/05			
	DRAWN BY :	JSB		REV.	DRAWING NUMBER 451-42-03/S-1X
	DATE REV. :	03/17/09		C	
REV. BY :	ESS				SHEET 2 OF 2