

NOTES

- 1.) STL MEMBERS COATED W/ ZINC RICH EPOXY THEN FINISHED W/ POLYESTER POWDER COATING.
- 2.) 1/2" X 3 3/4" EXPANSION ANCHOR BOLTS PROVIDED FOR S-2 OPTION.

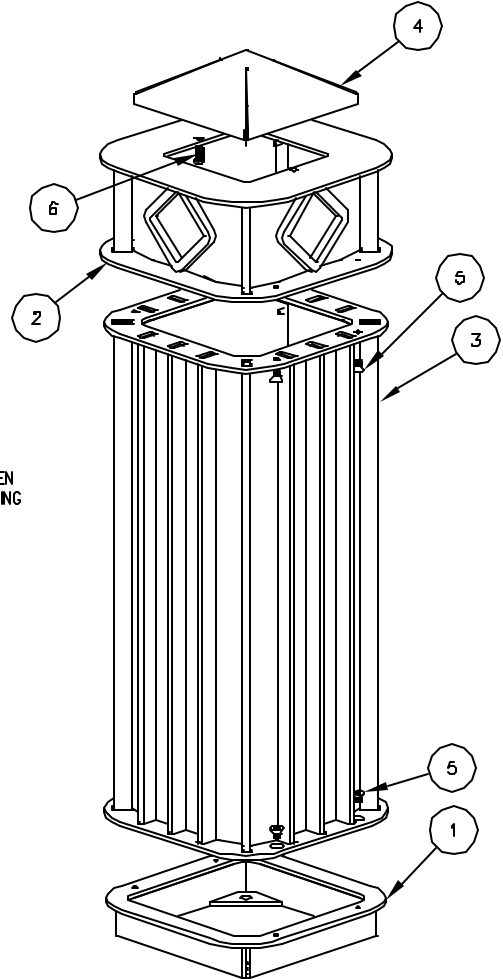
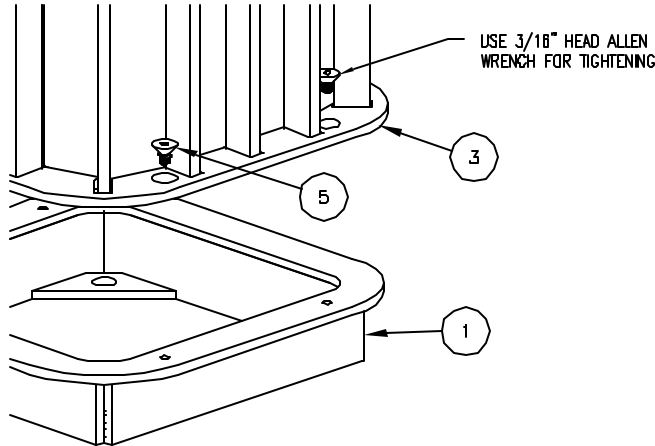
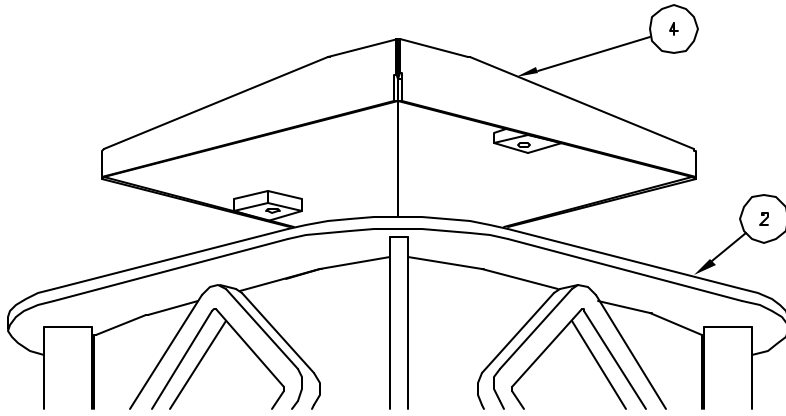


DuMor, inc.

P.O. Box 142 Mifflintown, PA 17059-0142

SCALE : NONE  
DATE DRAWN : 11/14/05  
DRAWN BY : JSB  
DATE REV. : 5/10/06  
REV. BY : JSB

TITLE : BOLLARD		SHEET 1 OF 2
REV. B	DRAWING NUMBER 452-36-01	



**STEP 1:**

USE 1 - PCS. STL SQUARE BOLLARD BASE ( 1 )  
ANCHOR ACCORDING TO SUPPORT OPTION USED. LEVEL  
AND SQUARE, SQUARE BOLLARD BASE, BEFORE ATTACHING  
SQUARE BOLLARD MID SECTION ASSEMBLY. WHEN USING OVER  
EXISTING BOLLARD, USE S-2 SUPPORT AND CENTER  
EXISTING BOLLARD EVENLY IN THE MIDDLE OF SQUARE BOLLARD BASE.

**STEP 2:**

USE 1 - PC. STL SQUARE BOLLARD TOP ASSEMBLY, DIAMONDS ( 2 )  
1 - PC. STL SQUARE BOLLARD COVER ( 4 )  
2 - PCS. 5/16" X 3/4" SS BTN HD CAP SCREW ( 6 )  
ATTACH SQUARE BOLLARD COVER ( 4 ) TO SQUARE BOLLARD TOP ASSEMBLY,  
DIAMONDS ( 2 ) USING HARDWARE ( 6 ). SQUARE AND TIGHTEN ALL HARDWARE.

**STEP 3:**

USE 1 - PC. 36" STL SQUARE BOLLARD MID SECTION ASSEMBLY ( 3 )  
4 - PCS. 5/16" X 1/2" SS FLT SKT HD CAP SCREW ( 5 )  
ATTACH 36" STL SQUARE BOLLARD MID SECTION ASSEMBLY ( 3 ) TO  
SQUARE BOLLARD BASE USING HARDWARE ( 5 ).

**STEP 4:**

USE 4 - PCS. 5/16" X 1/2" SS FLT SKT HD CAP SCREW ( 5 )  
ATTACH STEP 2 ASSEMBLY TO STEP 3 ASSEMBLY USING  
HARDWARE ( 5 ).

**NOTES:**

- 1.) DURING ASSEMBLY PROCEDURE;  
DO NOT COMPLETELY TIGHTEN HARDWARE.  
EXCEPTION IS STEP 1 & 2.
- 2.) UPON COMPLETION OF BOLLARD ASSEMBLY,  
SQUARE ALL COMPONENTS AND TIGHTEN  
ALL HARDWARE.
- 3.) THE ACTUAL PARTS WILL NOT BE NUMBERED:  
NUMBERS ONLY APPLY TO DRAWING.
- 4.) SEE SPEC. SHEET 1 FOR MOUNTING OPTION.
- 5.) INSTALLATION TIME MAY VARY DUE TO  
ANCHORING APPLICATIONS.
- 6.) FOR 1/2" EXPANSION ANCHORS USE 1/2" DIA.  
DRILL BIT TO DRILL INTO CONCRETE.

ITEM	QTY	PART NO	DESCRIPTION
1	1	0-452-00/S-2	STL SQUARE BOLLARD BASE, PLATES
2	1	0-452-01-TA	STL SQUARE BOLLARD TOP ASSEMBLY, DIAMONDS
3	1	0-452-36-MA	36" STL SQUARE BOLLARD MID SECTION ASMBLY
4	1	0-452-C	STL SQUARE BOLLARD COVER
5	8	1-12-015	5/16" X 1/2" SS FLT SKT HD CAP SCR
6	2	1-12-069	5/16" X 3/4" SS BTN SKT HD CAP SCR

**DuMor, inc.**  
P.O. Box 142 Mifflintown, PA 17059-0142

SCALE : NONE  
DATE DRAWN : 11/14/05  
DRAWN BY : JSB  
DATE REV. : 5/10/06  
REV. BY : JSB

TITLE : BOLLARD

REV. B	DRAWING NUMBER 452-36-01	SHEET 2 OF 2
--------	--------------------------	--------------