

NOTES

- 1.) STL. MEMBERS COATED W/ ZINC RICH EPOXY THEN FINISHED W/ POLYESTER POWDER COATING.

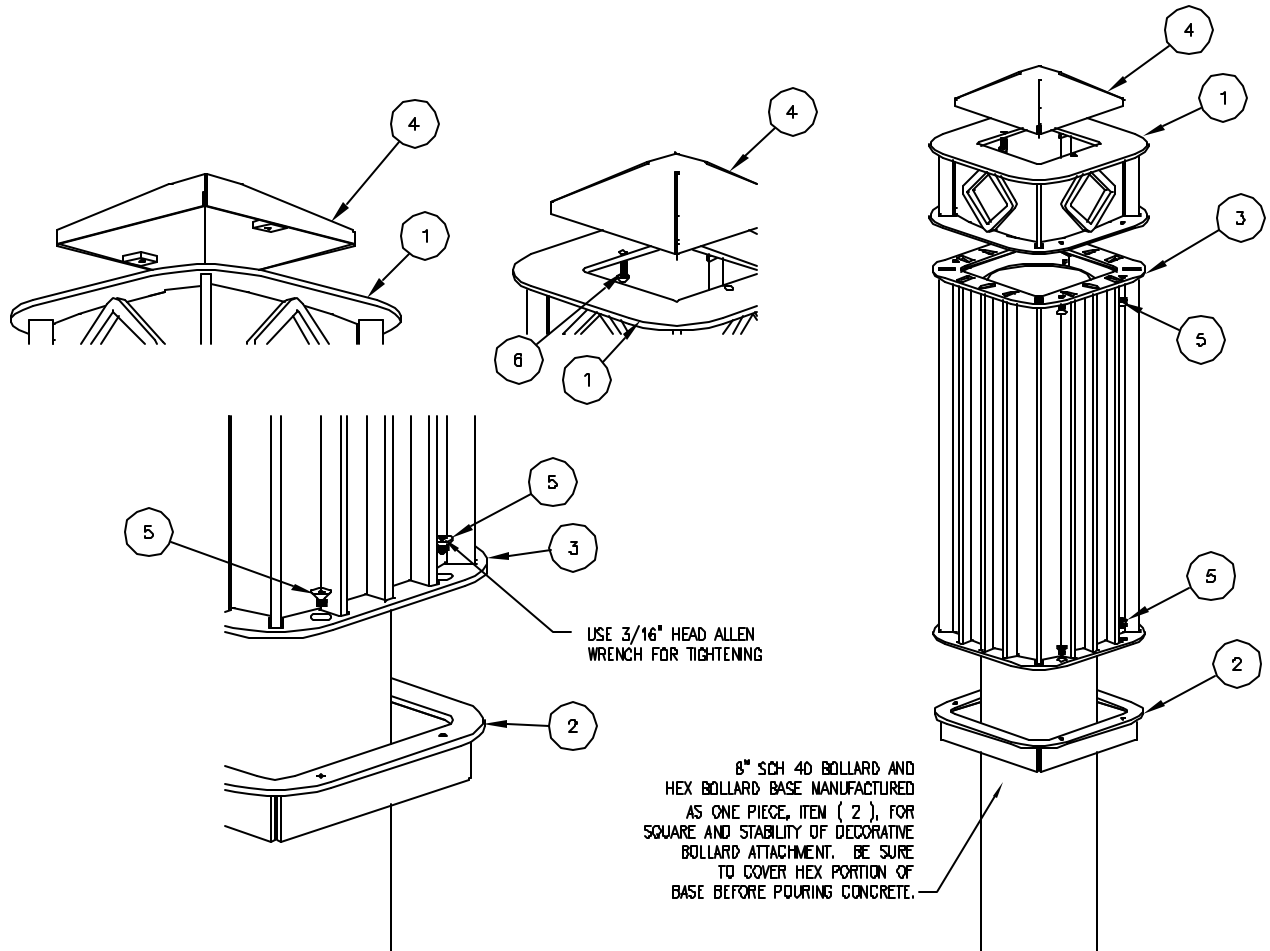


DuMor, inc.

P.O. Box 142 Mifflintown, PA 17059-0142

|              |          |
|--------------|----------|
| SCALE :      | NONE     |
| DATE DRAWN : | 11/15/05 |
| DRAWN BY :   | JSB      |
| DATE REV. :  | 5/10/06  |
| REV. BY :    | JSB      |

|         |                |                |        |
|---------|----------------|----------------|--------|
| TITLE : |                | BOLLARD        |        |
| REV.    | DRAWING NUMBER | 452-36-01/S-1X | SHEET  |
| B       |                |                | 1 OF 2 |



8" SCH 40 BOLLARD AND HEX BOLLARD BASE MANUFACTURED AS ONE PIECE, ITEM ( 2 ), FOR SQUARE AND STABILITY OF DECORATIVE BOLLARD ATTACHMENT. BE SURE TO COVER HEX PORTION OF BASE BEFORE POURING CONCRETE.

**STEP 1:**

USE 1 - PC. STL SQUARE BOLLARD BASE FOR SECURITY ( 2 )  
 PLACE INTO FOOTER AS SHOWN ON FRONT PAGE. SQUARE AND PLUM BOLLARD. ONCE SQUARED, FILL BOLLARD AND FOOTER WITH CONCRETE.

**STEP 2:**

USE 1 - PC. STL SQUARE BOLLARD TOP ASSEMBLY, DIAMONDS ( 1 )  
 1 - PC. STL SQUARE BOLLARD COVER ( 4 )  
 2 - PCS. 5/16" X 3/4" SS BTN HD CAP SCREW ( 6 )  
 ATTACH STL SQUARE BOLLARD COVER ( 4 ) TO SQUARE BOLLARD TOP ASSEMBLY, DIAMONDS ( 1 ) USING HARDWARE ( 6 ). SQUARE AND TIGHTEN ALL HARDWARE.

**STEP 3:**

USE 1 - PC. 36" STL SQUARE BOLLARD MID SECTION ASSEMBLY ( 3 )  
 3 - PCS. 5/16" X 1/2" SS FLT SKT HD CAP SCREW ( 5 )  
 ATTACH 36" STL SQUARE BOLLARD MID SECTION ASSEMBLY ( 3 ) TO SQUARE BOLLARD BASE FOR SECURITY USING HARDWARE ( 5 ).

**STEP 4:**

USE 3 - PCS. 5/16" X 1/2" SS FLT SKT HD CAP SCREW ( 5 )  
 ATTACH STEP 2 ASSEMBLY TO STEP 3 ASSEMBLY USING HARDWARE ( 5 ).

**NOTES:**

- 1.) DURING ASSEMBLY PROCEDURE; DO NOT COMPLETELY TIGHTEN HARDWARE. EXCEPTION IS STEP 2.
- 2.) UPON COMPLETION OF BOLLARD ASSEMBLY SQUARE AND TIGHTEN ALL HARDWARE.
- 3.) THE ACTUAL PARTS WILL NOT BE NUMBERED; NUMBERS ONLY APPLY TO DRAWING.

| ITEM | QTY | PART NO       | DESCRIPTION                               |
|------|-----|---------------|---|
| 1    | 1   | 0-452-01-TA   | STL SQUARE BOLLARD TOP ASSEMBLY, DIAMONDS |
| 2    | 1   | 0-452-36/S-1X | 36" STL SQUARE BOLLARD BASE FOR SECURITY  |
| 3    | 1   | 0-452-36-MA   | 36" STL SQUARE BOLLARD MID SECTION ASMBLY |
| 4    | 1   | 0-452-C       | STL SQUARE BOLLARD COVER                  |
| 5    | 8   | 1-12-015      | 5/16" X 1/2" SS FLT SKT HD CAP SCR        |
| 6    | 2   | 1-12-069      | 5/16" X 3/4" SS BTN SKT HD CAP SCR        |

**DuMor, inc.**  
 P.O. Box 142 Mifflintown, PA 17059-0142

|              |          |
|--------------|----------|
| SCALE :      | NONE     |
| DATE DRAWN : | 11/14/05 |
| DRAWN BY :   | JSB      |
| DATE REV. :  | 5/10/06  |
| REV. BY :    | JSB      |

|         |                               |              |
|---------|-------------------------------|--------------|
| TITLE : | BOLLARD                       |              |
| REV. B  | DRAWING NUMBER 452-36-01/S-1X | SHEET 2 OF 2 |