

NOTES

- 1.) STL MEMBERS COATED W/ ZINC RICH EPOXY THEN FINISHED W/ POLYESTER POWDER COATING.
- 2.) 1/2" X 3 3/4" EXPANSION ANCHOR BOLTS PROVIDED FOR S-2 OPTION.



DuMor, inc.

P.O. Box 142 Mifflintown, PA 17059-0142

SCALE : NONE

DATE DRAWN : 11/14/05

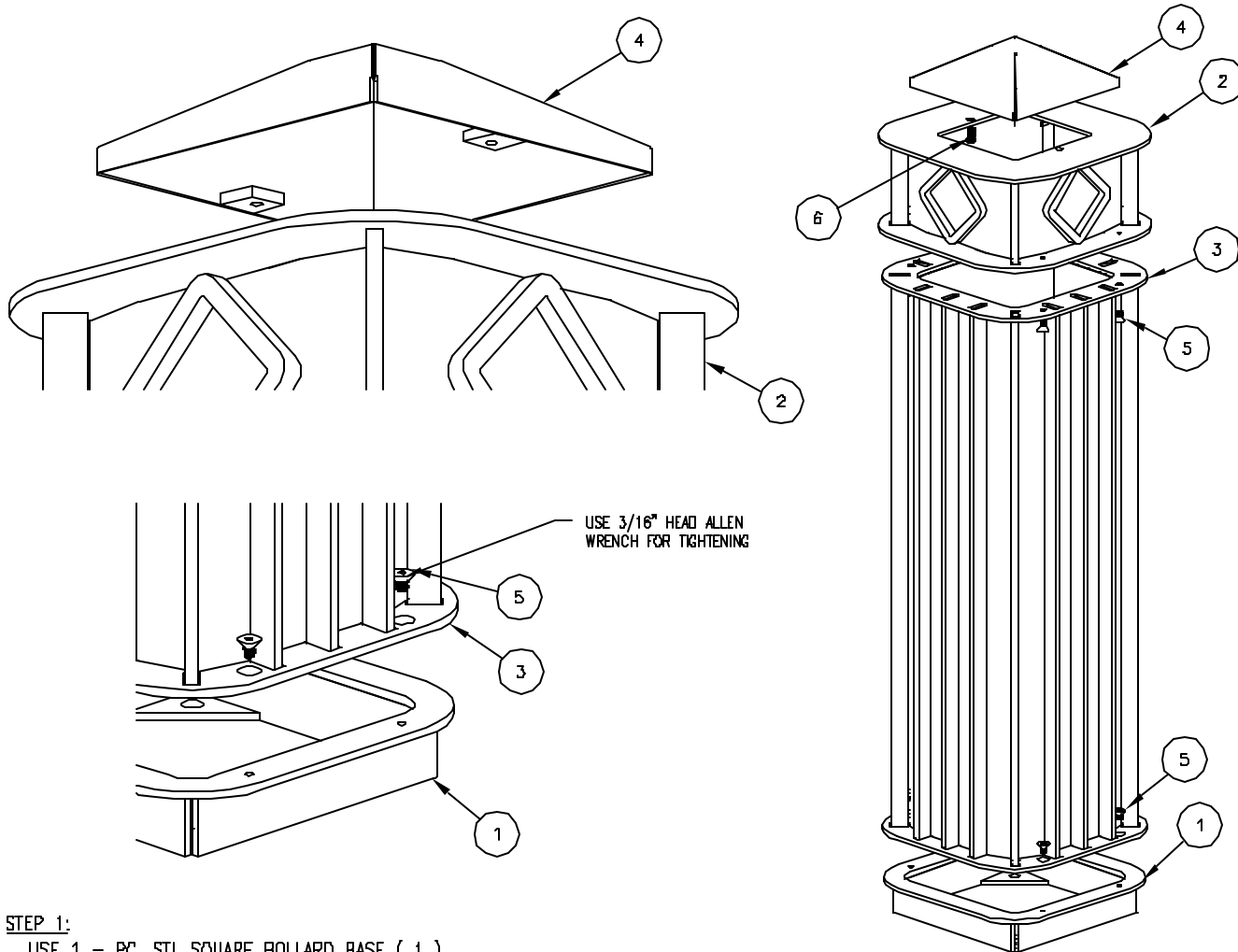
DRAWN BY : JSB

DATE REV. : 5/11/06

REV. BY : JSB

TITLE : BOLLARD

REV. B	DRAWING NUMBER 452-42-01	SHEET 1 OF 2
--------	--------------------------	--------------



STEP 1:

USE 1 - PC. STL SQUARE BOLLARD BASE (1)
 ANCHOR ACCORDING TO SUPPORT OPTION USED. LEVEL
 AND SQUARE, SQUARE BOLLARD BASE, BEFORE ATTACHING
 SQUARE BOLLARD MID SECTION ASSEMBLY. WHEN USING OVER
 EXISTING BOLLARD, USE S-2 SUPPORT AND CENTER
 EXISTING BOLLARD EVENLY IN THE MIDDLE OF SQUARE BOLLARD BASE.

STEP 2:

USE 1 - PC. STL SQUARE BOLLARD TOP ASSEMBLY, DIAMONDS (2)
 1 - PC. STL SQUARE BOLLARD COVER (4)
 2 - PCS. 5/16" X 3/4" SS BTN HD CAP SCREW (6)
 ATTACH STL SQUARE BOLLARD COVER (4) TO SQUARE BOLLARD TOP ASSEMBLY,
 DIAMONDS (2) USING HARDWARE (6). SQUARE AND TIGHTEN ALL HARDWARE.

STEP 3:

USE 1 - PC. 42" STL SQUARE BOLLARD MID SECTION ASSEMBLY (3)
 3 - PCS. 5/16" X 1/2" SS FLT SKT HD CAP SCREW (5)
 ATTACH 42" STL SQUARE BOLLARD MID SECTION ASSEMBLY (3) TO
 SQUARE BOLLARD BASE USING HARDWARE (5).

STEP 4:

USE 3 - PCS. 5/16" X 1/2" SS FLT SKT HD CAP SCREW (5)
 ATTACH STEP 2 ASSEMBLY USING
 HARDWARE (5).

NOTES:

- 1.) DURING ASSEMBLY PROCEDURE;
DO NOT COMPLETELY TIGHTEN HARDWARE.
EXCEPTION IS STEP 1 & 2.
- 2.) UPON COMPLETION OF BOLLARD ASSEMBLY,
SQUARE ALL COMPONENTS AND TIGHTEN
ALL HARDWARE.
- 3.) THE ACTUAL PARTS WILL NOT BE NUMBERED;
NUMBERS ONLY APPLY TO DRAWING.
- 4.) SEE SPEC. SHEET 1 FOR MOUNTING OPTION.
- 5.) INSTALLATION TIME MAY VARY DUE TO
ANCHORING APPLICATIONS.
- 6.) FOR 1/2" EXPANSION ANCHORS USE 1/2" DIA.
DRILL BIT TO DRILL INTO CONCRETE.

ITEM	QTY	PART NO	DESCRIPTION
1	1	0-452-00/S-2	STL SQUARE BOLLARD BASE, PLATES
2	1	0-452-01-TA	STL SQUARE BOLLARD TOP ASSEMBLY, DIAMONDS
3	1	0-452-42-MA	42" STL SQUARE BOLLARD MID SECTION ASMBLY
4	1	0-452-C	STL SQUARE BOLLARD COVER
5	8	1-12-015	5/16" X 1/2" SS FLT SKT HD CAP SCR
6	2	1-12-069	5/16" X 3/4" SS BTN SKT HD CAP SCR

DuMor, inc.
 P.O. Box 142 Mifflintown, PA 17059-0142

SCALE : NONE
 DATE DRAWN : 11/14/05
 DRAWN BY : JSB
 DATE REV. : 5/11/06
 REV. BY : JSB

TITLE : BOLLARD

REV. B	DRAWING NUMBER 452-42-01	SHEET 2 OF 2
--------	--------------------------	--------------