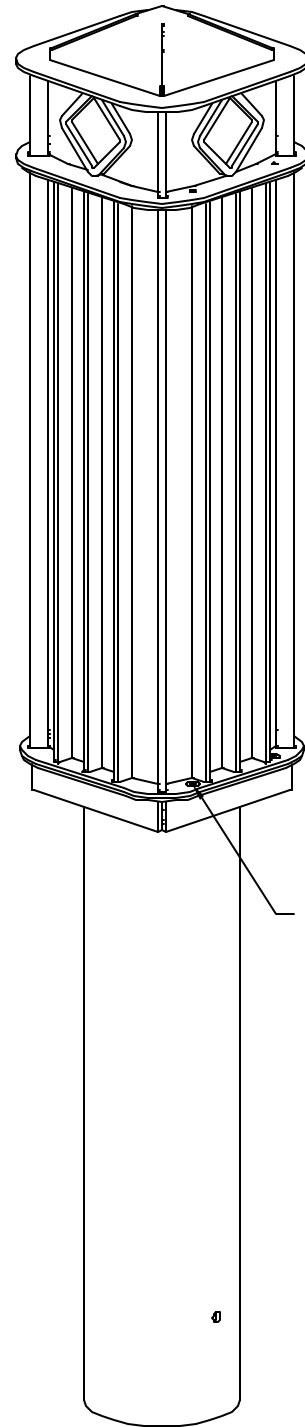
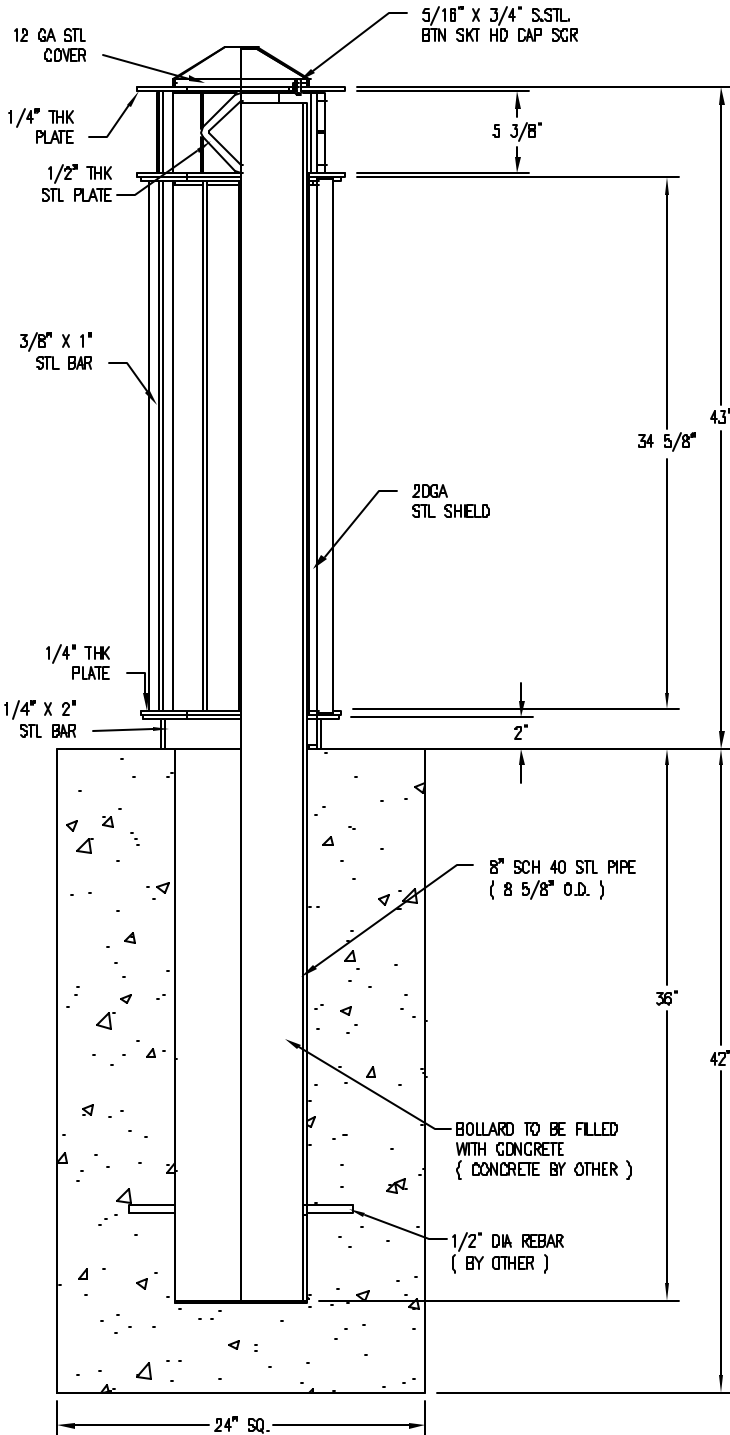


13 3/8" SQ



NOTES

1.) STL. MEMBERS COATED W/ ZINC RICH EPOXY THEN FINISHED W/ POLYESTER POWDER COATING.



DuMor, inc.

P.O. Box 142 Mifflintown, PA 17059-0142

SCALE : NONE

DATE DRAWN : 11/15/05

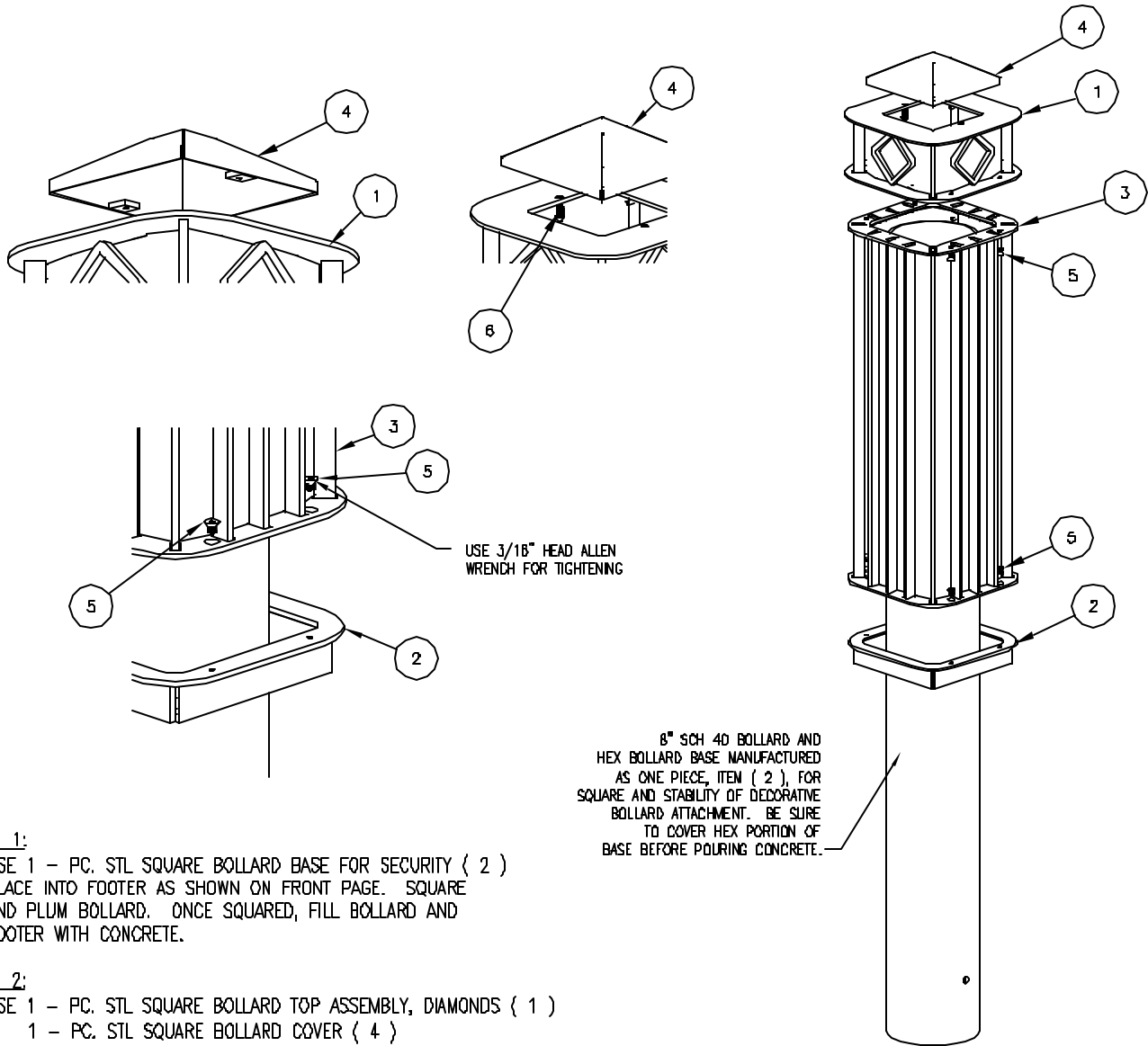
DRAWN BY : JSB

DATE REV. : 5/11/06

REV. BY : JSB

TITLE : BOLLARD

REV. B	DRAWING NUMBER 452-42-01/S-1X	SHEET 1 OF 2
--------	-------------------------------	--------------



USE 3/16" HEAD ALLEN WRENCH FOR TIGHTENING

8" SCH 40 BOLLARD AND HEX BOLLARD BASE MANUFACTURED AS ONE PIECE, ITEM ( 2 ), FOR SQUARE AND STABILITY OF DECORATIVE BOLLARD ATTACHMENT. BE SURE TO COVER HEX PORTION OF BASE BEFORE POURING CONCRETE.

**STEP 1:**

USE 1 - PC. STL SQUARE BOLLARD BASE FOR SECURITY ( 2 )  
 PLACE INTO FOOTER AS SHOWN ON FRONT PAGE. SQUARE AND PLUM BOLLARD. ONCE SQUARED, FILL BOLLARD AND FOOTER WITH CONCRETE.

**STEP 2:**

USE 1 - PC. STL SQUARE BOLLARD TOP ASSEMBLY, DIAMONDS ( 1 )  
 1 - PC. STL SQUARE BOLLARD COVER ( 4 )  
 2 - PCS. 5/16" X 3/4" SS BTN HD CAP SCREW ( 6 )  
 ATTACH STL SQUARE BOLLARD COVER ( 4 ) TO SQUARE BOLLARD TOP ASSEMBLY, DIAMONDS ( 1 ) USING HARDWARE ( 6 ). SQUARE AND TIGHTEN ALL HARDWARE.

**STEP 3:**

USE 1 - PC. 42" STL SQUARE BOLLARD MID SECTION ASSEMBLY ( 3 )  
 3 - PCS. 5/16" X 1/2" SS FLT SKT HD CAP SCREW ( 5 )  
 ATTACH 42" SQUARE BOLLARD MID SECTION ASSEMBLY ( 3 ) TO SQUARE BOLLARD BASE FOR SECURITY USING HARDWARE ( 5 ).

**STEP 4:**

USE 3 - PCS. 5/16" X 1/2" SS FLT SKT HD CAP SCREW ( 5 )  
 ATTACH STEP 2 ASSEMBLY TO STEP 3 ASSEMBLY USING HARDWARE ( 5 ).

**NOTES:**

- 1.) DURING ASSEMBLY PROCEDURE; DO NOT COMPLETELY TIGHTEN HARDWARE. EXCEPTION IS STEP 2.
- 2.) UPON COMPLETION OF BOLLARD ASSEMBLY SQUARE AND TIGHTEN ALL HARDWARE.
- 3.) THE ACTUAL PARTS WILL NOT BE NUMBERED: NUMBERS ONLY APPLY TO DRAWING.

ITEM	QTY	PART NO	DESCRIPTION
1	1	0-452-01-TA	STL SQUARE BOLLARD TOP ASSEMBLY, DIAMONDS
2	1	0-452-42/S-1X	42" STL SQUARE BOLLARD BASE FOR SECURITY
3	1	0-452-42-MA	42" STL SQUARE BOLLARD MID SECTION ASMBLY
4	1	0-452-C	STL SQUARE BOLLARD COVER
5	8	1-12-015	5/16" X 1/2" SS FLT SKT HD CAP SCR
6	2	1-12-069	5/16" X 3/4" SS BTN SKT HD CAP SCR

**DuMor, inc.**  
 P.O. Box 142 Mifflintown, PA 17059-0142

SCALE : NONE  
 DATE DRAWN : 11/15/05  
 DRAWN BY : JSB  
 DATE REV. : 5/11/06  
 REV. BY : JSB

TITLE : BOLLARD  
 REV. B  
 DRAWING NUMBER 452-42-01/S-1X  
 SHEET 2 OF 2