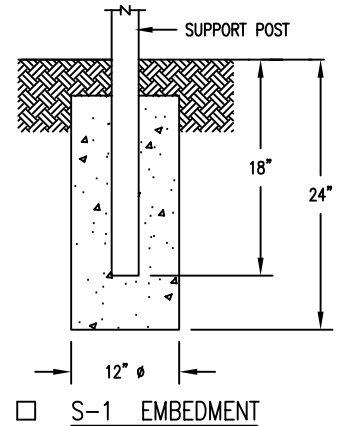
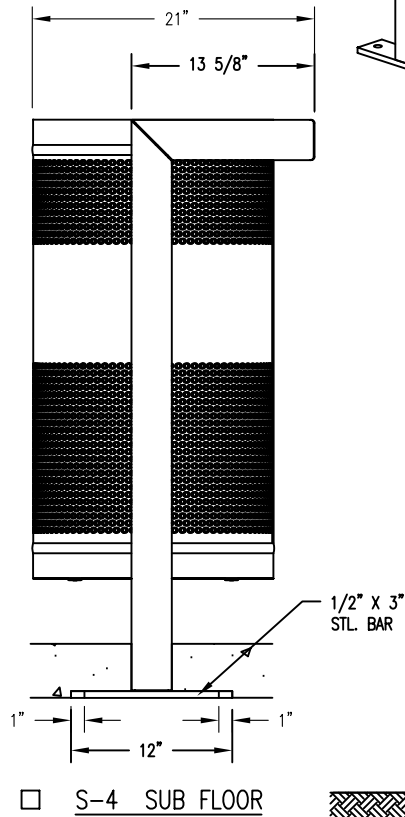
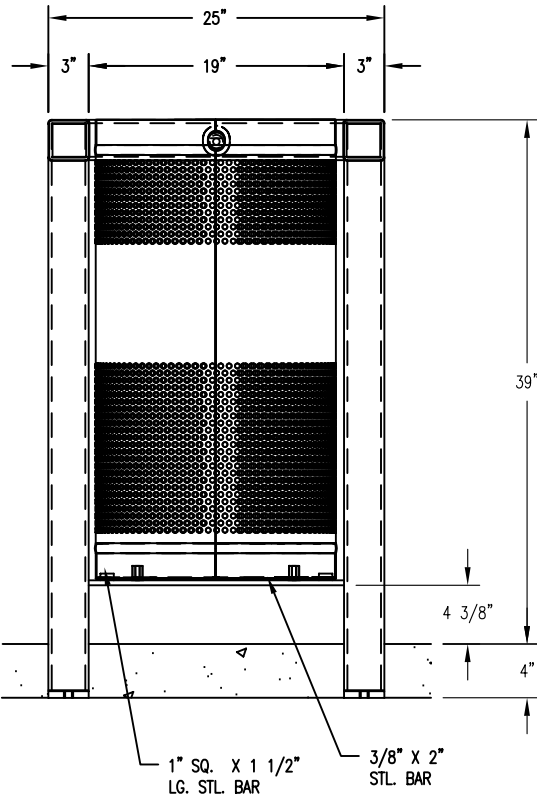
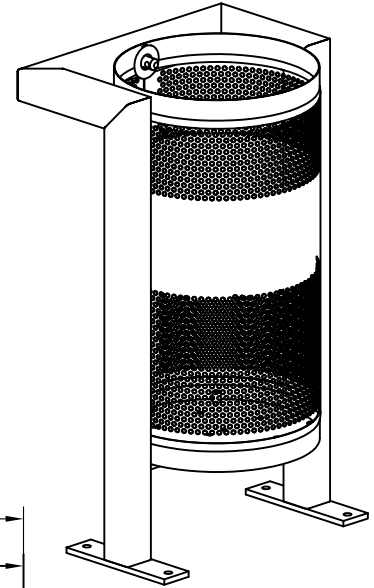
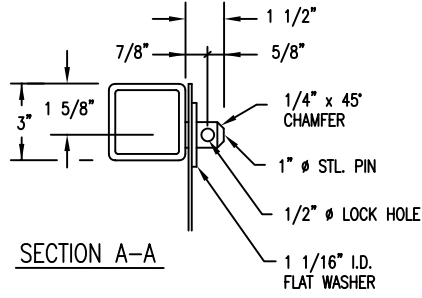
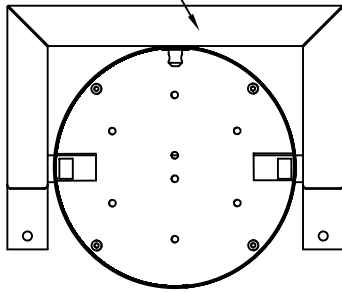


3" SQ. X 1/4" W.
STL. TUBE



NOTES:

- 1.) ALL STL. MEMBERS COATED W/ ZINC RICH EPOXY THEN FINISHED W/ POLYESTER POWDER COATING.
- 2.) 1/2" X 3 3/4" EXPANSION ANCHOR BOLTS PROVIDED FOR S-4 OPTION.
- 3.) PADLOCK FURNISHED BY OTHER.
- 4.) RECEPTACLE FULLY ASSEMBLED AT FACTORY.

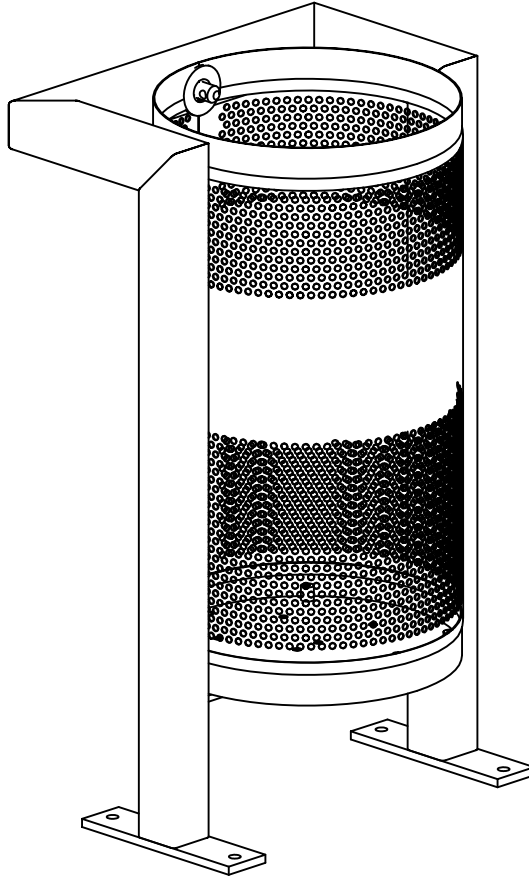
DuMor, inc.
P.O. Box 142 Mifflintown, PA 17059-0142

SCALE : NONE
DATE DRAWN : 2/19/96
DRAWN BY : AH
DATE REV. : 04/01/10
REV. BY : ESS

TITLE : RECEPTACLE

REV. D DRAWING NUMBER 48-00

SHEET 1 OF 2



NOTE

- 1.) RECEPTACLE SHIPPED FULLY ASSEMBLED.
- 2.) MOUNT AND ANCHOR AS SPECIFIED.



DuMor, inc.

P.O. Box 142 Mifflintown, PA 17059-0142

SCALE :	NONE
DATE DRAWN :	12/30/99
DRAWN BY :	JSB
DATE REV. :	1/23/04
REV. BY :	AWH

TITLE :	RECEPTACLE ASSEMBLY		
REV.	DRAWING NUMBER		SHEET
C	48-00		2 OF 2