

LENGTH OPTIONS

- 6' TABLE
- 8' TABLE

NOTE:

1.) ALL DOUGLAS FIR WOOD MEMBERS TREATED WITH CLEAR PRESERVATIVE.

STEEL OPTIONS:

- ALL STL. MEMBERS COATED W/ ZINC RICH EPOXY THEN FINISHED W/ POLYESTER POWDER COATING.
- HOT DIP GALV. AFTER FABRICATION.

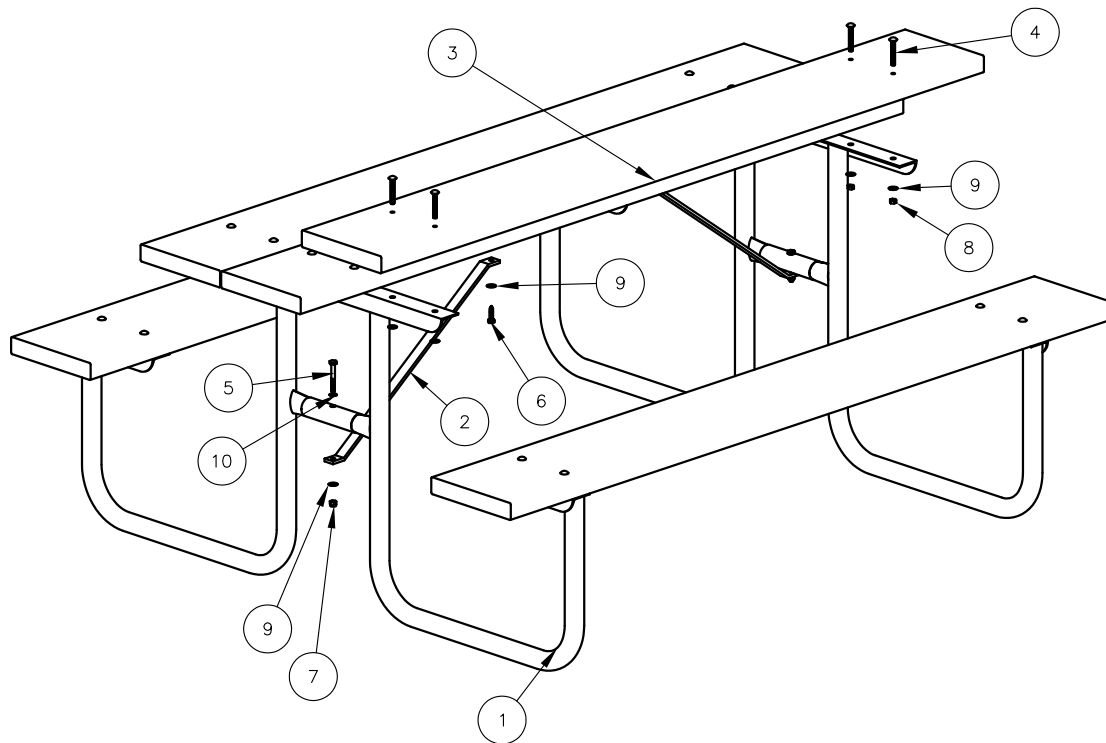
WOOD OPTIONS

- 'C' & BTR. DOUGLAS FIR KD S4S EE
- #1 SOUTHERN YELLOW PINE S4S EE
- OTHER _____

DuMor, inc.
P.O. Box 142 Mifflintown, PA 17059-0142

SCALE :	NONE
DATE DRAWN :	3/22/94
DRAWN BY :	CDC
DATE REV. :	11/10/08
REV. BY :	ESS

TITLE :		PICNIC TABLES	
REV.	DRAWING NUMBER	71 SERIES	SHEET
F			1 OF 2



STEP 1:

USE 5 - PCS. 2" X 10" X 71" WOOD PLANKS (3)
 2 - PCS. END SUPPORT FRAME (1)
 20 - PCS. 5/16" X 2 1/4" SS CGE. BOLT (4)
 20 - PCS. 5/16" SS HEX NUT (8)
 20 - PCS. 5/16" SS FLAT WASHER (9)
 ATTACH 2" X 10" X 71" WOOD SLATS (3) TO END
 SUPPORT FRAME (1) USING HARDWARE (4, 8, & 9).
 TIGHTEN TO SNUG FIT. REPEAT UNTIL ALL PLANKS ARE
 ATTACHED.

STEP 2:

USE 2 - PCS. DIAGONAL BRACE (2)
 2 - PCS. 5/16" X 2 1/2" SS HEX HD CAP SCR. (5)
 2 - PCS. 5/16" X 1 1/4" SS HEX HD LAG SCR. (6)
 2 - PCS. 5/16" SS NYLON LOCK NUT (7)
 4 - PCS. 5/16" SS FLAT WASHER (9)
 2 - PCS. 3/8" ID X 5/8" OD RUBBER WASHER (10)
 SQUARE STEP 1 ASSEMBLY THEN ATTACH DIAGONAL BRACE
 (2) TO STEP 1 ASSEMBLY USING HARDWARE (5, 6, 7, 9,
 & 10). NO PILOT HOLES FOR 5/16" X 1 1/4" SS HEX HD
 LAG SCR. (6).


NOTE:

- 1.) DURING ASSEMBLY PROCEDURE;
DO NOT COMPLETELY TIGHTEN HARDWARE.
- 2.) THE ACTUAL PARTS WILL NOT BE NUMBERED;
NUMBERS ONLY APPLY TO DRAWING.

STEP 3:

UPON COMPLETION OF TABLE ASSEMBLY TIGHTEN
 ALL HARDWARE.

ITEM	QTY	PART NO	DESCRIPTION
1	2	0-71-00-02	END SUPPORT FRAME
2	2	0-71-00-03	DIAGONAL BRACE
3	5	0-71-60-01	2" X 10" X 71" WOOD SLAT
4	20	1-11-062	5/16" X 2 1/4" SS CGE BOLT
5	2	1-12-079	5/16" X 2 1/2" SS HEX HD CAP SCR
6	2	1-13-001	5/16" X 1 1/4" SS HEX HD LAG SCR
7	2	1-20-016	5/16" SS NYLON LOCKNUT
8	20	1-21-015	5/16" SS HEX NUT
9	24	1-22-017	5/16" SS FLAT WASHER
10	2	1-22-018	3/8" ID X 5/8" OD RUBBER WASHER

 DuMor, inc. P.O. Box 142 Mifflintown, PA 17059-0142	SCALE : NONE	TITLE : PICNIC TABLE ASSEMBLY	
	DATE DRAWN : 3/22/94	REV. F	DRAWING NUMBER 71 SERIES
	DRAWN BY : CDC		
	DATE REV. : 11/10/08		
REV. BY : ESS	SHEET 2 OF 2		