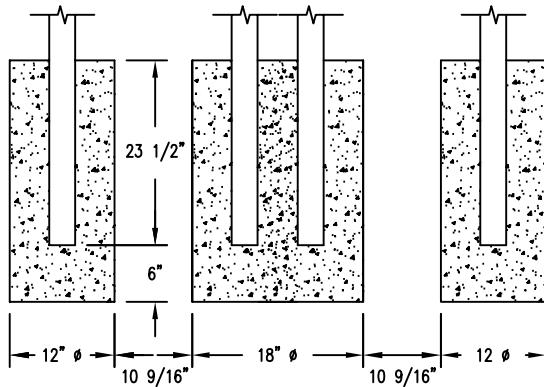
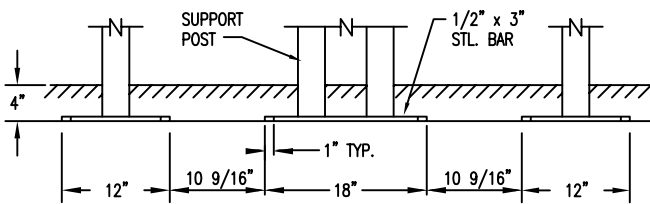


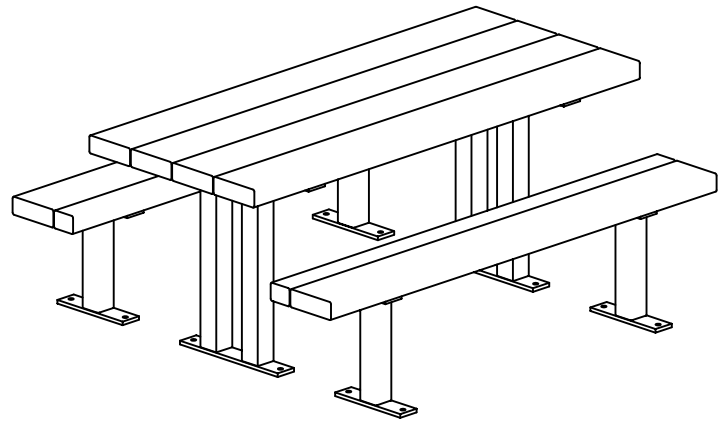
S-2 SURFACE
(AS SHOWN)



S-1 EMBEDMENT



S-4 SUB FLOOR



LENGTH OPTIONS

- 6' TABLE
- 8' TABLE

WOOD OPTIONS

- CLEAR ALL HEART REDWOOD S4S EE
- 'C' & BTR. DOUGLAS FIR KD S4S EE
- OTHER _____

NOTES

- 1.) ALL STL. MEMBERS COATED W/ ZINC RICH EPOXY THEN FINISHED W/ POLYESTER POWDER COATING.
- 2.) ALL WOOD MEMBERS TREATED W/ CLEAR PRESERVATIVE.
- 3.) 1/2" X 3 3/4" EXPANSION ANCHOR BOLTS PROVIDED FOR OPTIONS S-2 AND S-4.


DuMor, inc.
 P.O. Box 142 Mifflintown, PA 17059-0142

SCALE : NONE
 DATE DRAWN : 3/22/94
 DRAWN BY : AH
 DATE REV. : 12/15/08
 REV. BY : ESS

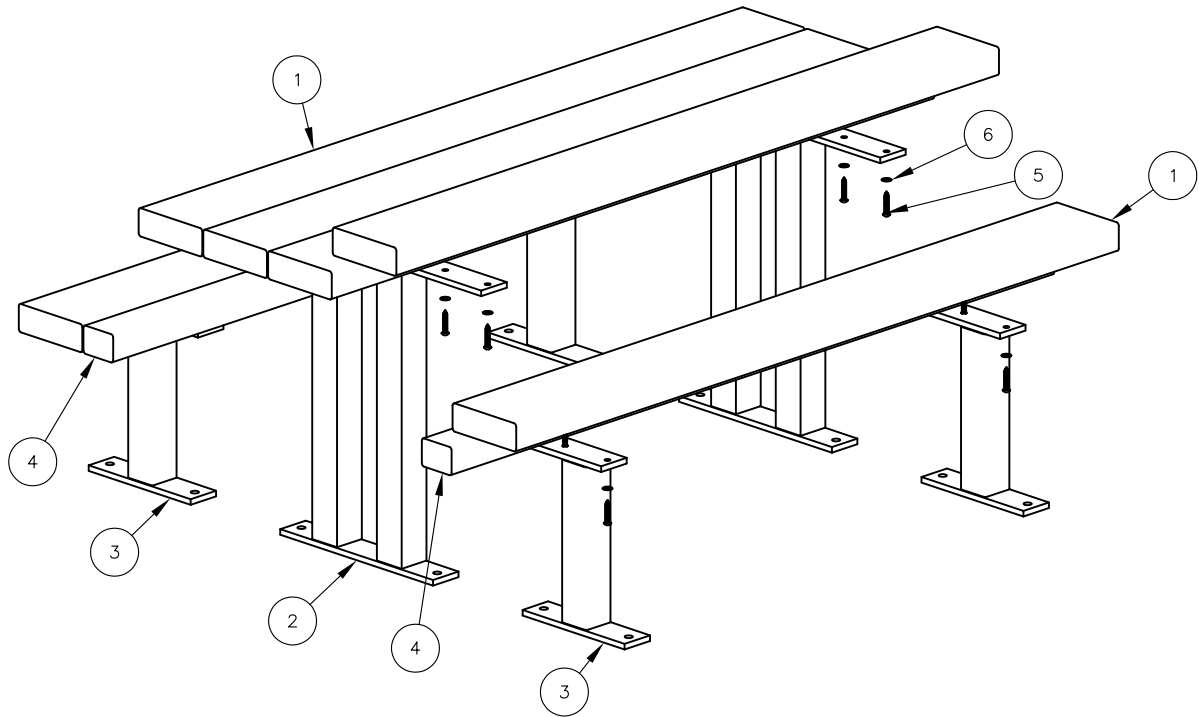
TITLE : PICNIC TABLE

REV. E

DRAWING NUMBER

75 SERIES

SHEET 1 OF 2



NOTES:

- 1.) DURING ASSEMBLY PROCEDURE;
DO NOT COMPLETELY TIGHTEN HARDWARE.
- 2.) THE ACTUAL PARTS WILL NOT BE NUMBERED;
NUMBERS ONLY APPLY TO DRAWING.
- 3.) SEE SPEC. SHEET 1 FOR MOUNTING DETAILS.

STEP 1:

- USE 2 - PCS. TABLE SUPPORT POST FOR SURFACE MOUNT (2)
 4 - PCS. 3" X 8" X 71" WOOD SLAT (1)
 16 - PCS. 3/8" X 2" SS. BTN. HD. LAG SCR. (5)
 16 - PCS. 3/8" SS. FLAT WASHER (6)
 ATTACH 3" X 8" X 71" WOOD SLAT (1) TO SUPPORT
 POST FOR SURFACE MOUNT (2) USING HARDWARE
 (5 & 6). TIGHTEN TO SNUG FIT. REPEAT UNTIL ALL
 SLATS ARE ATTACHED.

STEP 3:

UPON COMPLETION OF TABLE ASSEMBLY
 SQUARE ALL COMPONENTS THEN TIGHTEN
 ALL HARDWARE.

STEP 4.

ANCHOR ACCORDING TO SUPPORT OPTION USED.

STEP 2:

- USE 4 - PCS. SEAT SUPPORT FOR SURFACE MOUNT (3)
 2 - PCS. 3" X 8" WOOD SLAT (1)
 2 - PCS. 3" X 4" WOOD SLAT (4)
 12 - PCS. 3/8" X 2" SS. BTN. HD. LAG SCR. (5)
 12 - PCS. 3/8" SS. FLAT WASHER (6)
 ATTACH 3" X 8" WOOD SLAT (1) AND 3" X 4" WOOD
 SLAT (4) TO SEAT SUPPORT FOR SURFACE MOUNT (3)
 USING HARDWARE (5 & 6). BE SURE 3" X 8" WOOD SLAT
 IS LOCATED OVER THE SUPPORTS SQ. TUBE. TIGHTEN TO
 SNUG FIT. REPEAT UNTIL ALL SLATS ARE ATTACHED.

ITEM	QTY	PART NO	DESCRIPTION
1	6	0-38-60-01	3" X 8" X 71" WOOD SLAT
2	2	0-75-00-03/S-2	TABLE SUPPORT FOR SURFACE MOUNT
3	4	0-75-00-04/S-2	SEAT SUPPORT FOR SURFACE MOUNT
4	2	0-88-60-02	3" X 4" X 71" WOOD INT'R SLAT
5	28	1-13-016	3/8" X 2" SS BTN SKT HD LAG SCR
6	28	1-22-024	3/8" SS FLAT WASHER

DuMor, inc.
 P.O. Box 142 Mifflintown, PA 17059-0142

SCALE : NONE
 DATE DRAWN : 3/22/94
 DRAWN BY : AH
 DATE REV. : 12/15/08
 REV. BY : ESS

TITLE : PICNIC TABLE

REV. E	DRAWING NUMBER 75 SERIES	SHEET 2 OF 2
--------	--------------------------	--------------