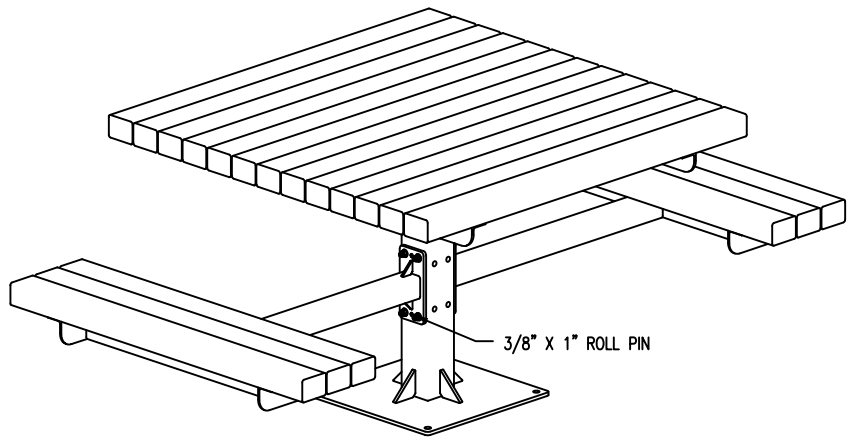


SLAT OPTIONS

- "CEDAR" RECYCLED PLASTIC
- "GREEN" RECYCLED PLASTIC
- "GREY" RECYCLED PLASTIC
- "REDWOOD" RECYCLED PLASTIC
- "WALNUT" RECYCLED PLASTIC
- OTHER _____



NOTES

- 1.) ALL STL. MEMBERS COATED W/ ZINC RICH EPOXY THEN FINISHED W/ POLYESTER POWDER COATING.
- 2.) 1/2" X 3 3/4" EXPANSION ANCHOR BOLTS PROVIDED FOR OPTIONS S-2 AND S-4.

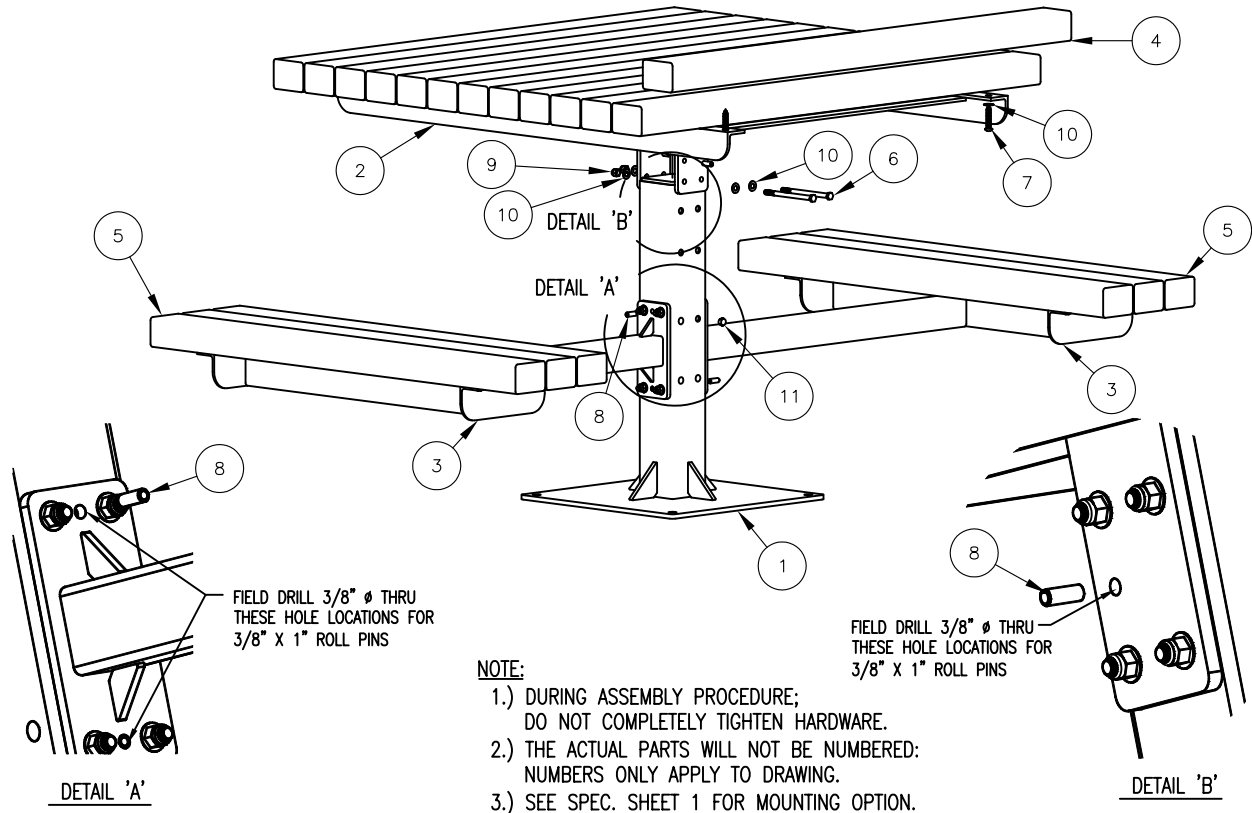
W/ 2 SEATS

- 76-32PL (3" x 4")
- 76-42PL (4" x 4")

DuMor, inc.
P.O. Box 142 Mifflintown, PA 17059-0142

SCALE : NONE
DATE DRAWN : 1/8/00
DRAWN BY : JSB
DATE REV. : 12/02/09
REV. BY : ESS

TITLE : PEDESTAL TABLE
REV. F
DRAWING NUMBER 76 SERIES PL-2
SHEET 1 OF 2



- NOTE:**
- 1.) DURING ASSEMBLY PROCEDURE; DO NOT COMPLETELY TIGHTEN HARDWARE.
 - 2.) THE ACTUAL PARTS WILL NOT BE NUMBERED: NUMBERS ONLY APPLY TO DRAWING.
 - 3.) SEE SPEC. SHEET 1 FOR MOUNTING OPTION.

STEP 1:
 USE 1 - PC. CTR. POST FOR SURFACE MOUNT, (1)
 1 - PC. TABLE TOP FRAME (2)
 4 - PCS. 3/8" X 5 1/2" SS. HEX HD. CAP SCR. (6)
 4 - PCS. 3/8" SS. NYLON LOCK NUT (9)
 8 - PCS. 3/8" SS. FLAT WASHER (10)
 ATTACH TABLE TOP FRAME (2) TO CTR. POST FOR SURFACE MOUNT , (1) USING HARDWARE (6, 8, & 9).
 TIGHTEN TO SNUG FIT.

STEP 2:
 USE 2 - PCS. SEAT SUPPORT ARM W/ 8" PLATE (3)
 4 - PCS. 3/8" X 5 1/2" SS. HEX HD. CAP SCR. (6)
 4 - PCS. 3/8" SS. NYLON LOCK NUT (9)
 8 - PCS. 3/8" SS. FLAT WASHER (10)
 ATTACH SEAT SUPPORT ARM W/ 8" PLATE (3) TO STEP 1 ASSEMBLY USING HARDWARE (6, 9, & 10).
 TIGHTEN TO SNUG FIT.

STEP 3:
 USE 13 - PCS. 3" X 4" X 47" PLASTIC TOP SLAT (4)
 6 - PCS. 3" X 4" X 43" PLASTIC SEAT SLAT (5)
 38 - PCS. 3/8" X 2" SS. BTN. SKT. HD. LAG SCR. (7)
 38 - PCS. 3/8" SS. FLAT WASHER (10)
 ATTACH 3" X 4" X 47" TOP SLATS (4) AND 3" X 4" X 43" SEAT SLATS (5) TO STEP 2 ASSEMBLY USING HARDWARE (7 & 10).
 TIGHTEN TO SNUG FIT. REPEAT UNTIL ALL SLATS ARE ATTACHED.

STEP 4:
 USE 8 - PCS. BLACK PLASTIC PLUG (11)
 INSERT BLACK PLASTIC PLUG (11) INTO REMAINING HOLES IN CTR POST FOR SURFACE MOUNT, (1)

STEP 5:
 UPON COMPLETION OF TABLE ASSEMBLY SQUARE ALL COMPONENTS THEN TIGHTEN ALL HARDWARE.

STEP 6:
 MOUNT AND ANCHOR AS SPECIFIED.

STEP 7:
 USE 6 - PCS. 3/8" X 1" S.STL. ROLL PIN (8)
 BE SURE SEAT AND TABLE TOP ARE LEVEL. FIELD DRILL CTR POST FOR SURFACE MOUNT (1) WITH 3/8" HOLE AT SEAT SUPPORT ARM W/ 8" PLATE (3) AND TABLE TOP FRAME (2) OPEN HOLE LOCATIONS. SEE DETAILS 'A' AND 'B'. DRIVE IN 3/8" X 1" ROLL PIN (8).

ITEM	QTY	PART NO	DESCRIPTION
1	1	0-76-00-03/S-2	CTR POST FOR SURFACE MOUNT
2	1	0-76-00-04	STL TABLE TOP FRAME
3	2	0-76-00-05	SEAT SUPPORT ARM W/8" PLATE
4	13	0-76-30PL-01	3" X 4" X 47" PLASTIC TOP SLAT
5	6	0-76-30PL-02	3" X 4" X 43" PLASTIC SEAT SLAT
6	8	1-12-039	3/8" X 5 1/2" SS HEX HD CAP SCR
7	38	1-13-016	3/8" X 2" SS BTN SKT HD LAG SCR
8	6	1-14-003	3/8" X 1" S.STL. ROLL PIN
9	8	1-20-007	3/8" SS NYLON LOCKNUT
10	54	1-22-024	3/8" SS FLAT WASHER
11	8	5-48-059	BLACK PLASTIC PLUG

DuMor, inc.
 P.O. Box 142 Mifflintown, PA 17059-0142

SCALE : NONE
 DATE DRAWN : 1/8/00
 DRAWN BY : JSB
 DATE REV. : 12/02/09
 REV. BY : ESS

TITLE : PEDESTAL TABLE ASSEMBLY
 REV. F DRAWING NUMBER 76 SERIES PL-2 SHEET 2 OF 2