

WOOD OPTIONS

- CLEAR ALL HEART REDWOOD S4S EE
- 'C' & BTR. DOUGLAS FIR KD S4S EE
- OTHER _____

NOTES

- 1.) ALL STL. MEMBERS COATED W/ ZINC RICH EPOXY THEN FINISHED W/ POLYESTER POWDER COATING.
- 2.) ALL WOOD MEMBERS TREATED W/ CLEAR PRESERVATIVE.
- 3.) 1/2" X 3 3/4" EXPANSION ANCHOR BOLTS FOR OPTIONS S-2 AND S-4.
- 4.) USE 3/8" X 2" S.STL. BUTTON SOCKET HEAD LAG SCREWS FOR 3" X 4" & 4" X 4" SLATS. USE 3/8" X 1 1/2" S.STL. HEX HD LAG SCREWS FOR 2" X 4" SLATS.

W/ 4 SEATS

- 76-24 (2" x 4")
- 76-34 (3" x 4")
- 76-44 (4" x 4")

DuMor, inc.
P.O. Box 142 Mifflintown, PA 17059-0142

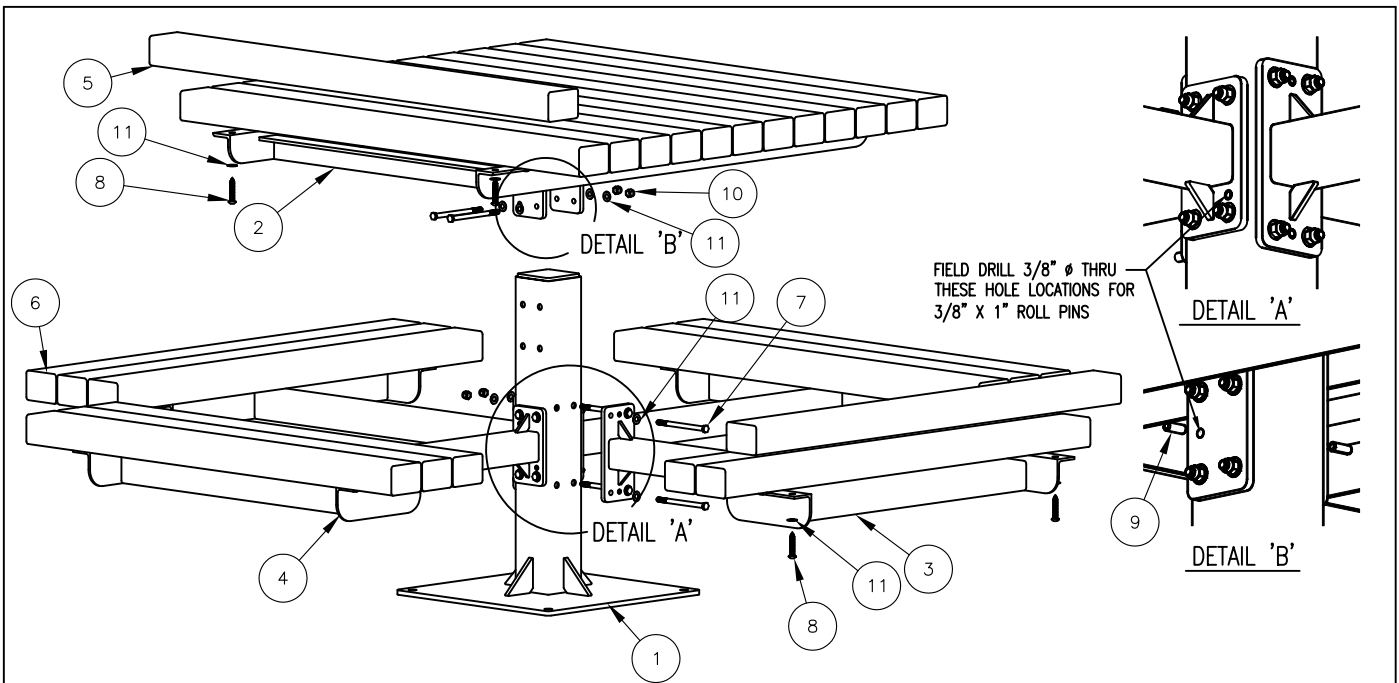
SCALE : NONE
DATE DRAWN : 3/22/94
DRAWN BY : AH
DATE REV. : 02/12/09
REV. BY : ESS

TITLE : PEDESTAL TABLE

REV. H

DRAWING NUMBER 76 SERIES-4

SHEET 1 OF 2



NOTE:

- 1.) DURING ASSEMBLY PROCEDURE;
DO NOT COMPLETELY TIGHTEN HARDWARE.
- 2.) THE ACTUAL PARTS WILL NOT BE NUMBERED:
NUMBERS ONLY APPLY TO DRAWING.
- 3.) SEE SPEC. SHEET 1 FOR MOUNTING OPTION.

STEP 1:

- USE 1 - PC. CTR. POST FOR SURFACE MOUNT, (1)
 1 - PC. TABLE TOP FRAME (2)
 4 - PCS. 3/8" X 5 1/2" SS. HEX HD. CAP SCR. (7)
 4 - PCS. 3/8" SS. NYLON LOCK NUT (10)
 8 - PCS. 3/8" SS. FLAT WASHER (11)
- ATTACH TABLE TOP FRAME (2) TO CTR. POST FOR SURFACE MOUNT, (1) USING HARDWARE (7, 10, & 11). TIGHTEN TO SNUG FIT.

STEP 2:

- USE 2 - PCS. SEAT SUPPORT ARM W/ 8" PLATE (3)
 4 - PCS. 3/8" X 5 1/2" SS. HEX HD. CAP SCR. (7)
 4 - PCS. 3/8" SS. NYLON LOCK NUT (10)
 8 - PCS. 3/8" SS. FLAT WASHER (11)
- ATTACH SEAT SUPPORT ARM W/ 8" PLATE (3) TO STEP 1 ASSEMBLY USING HARDWARE (7, 10, & 11). TIGHTEN TO SNUG FIT.

STEP 3:

- USE 2 - PCS. SEAT SUPPORT ARM W/ 6 1/2" PLATE (4)
 4 - PCS. 3/8" X 5 1/2" SS. HEX HD. CAP SCR. (7)
 4 - PCS. 3/8" SS. NYLON LOCK NUT (10)
 8 - PCS. 3/8" SS. FLAT WASHER (11)
- ATTACH SEAT SUPPORT ARM W/ 6 1/2" PLATE (4) TO STEP 2 ASSEMBLY USING HARDWARE (7, 10, & 11). TIGHTEN TO SNUG FIT.

STEP 4:

- USE 13 - PCS. 3" X 4" X 47" WOOD TABLE SLAT (5)
 12 - PCS. 3" X 4" X 43" WOOD SEAT SLAT (6)
 50 - PCS. 3/8" X 2" SS. BTN. SKT. HD. LAG SCR. (8)
 50 - PCS. 3/8" SS. FLAT WASHER (11)
- ATTACH 3" X 4" X 47" TABLE SLATS (5) AND 3" X 4" X 43" SEAT SLATS (6) TO STEP 3 ASSEMBLY USING HARDWARE (8 & 11). TIGHTEN TO SNUG FIT. REPEAT UNTIL ALL SLATS ARE ATTACHED.

STEP 5:

UPON COMPLETION OF TABLE ASSEMBLY SQUARE ALL COMPONENTS THEN TIGHTEN ALL HARDWARE.

STEP 6:

MOUNT AND ANCHOR AS SPECIFIED.

STEP 7:

- USE 10 - PCS. 3/8" X 1" S.STL. ROLL PIN (9)
- BE SURE SEAT AND TABLE TOP ARE LEVEL. FIELD DRILL CTR POST FOR SURFACE MOUNT (1) WITH 3/8" HOLE AT SEAT SUPPORT ARMS (3 & 4) AND TABLE TOP FRAME (2) OPEN HOLE LOCATIONS. SEE DETAILS 'A' AND 'B'. DRIVE IN 3/8" X 1" ROLL PIN (9).

ITEM	QTY	PART NO	DESCRIPTION
1	1	0-76-00-03/S-2	CTR POST FOR SURFACE MOUNT
2	1	0-76-00-04	TOP FRAME ASSEMBLY
3	2	0-76-00-05	SEAT SUPPORT ARM W/8" PLATE
4	2	0-76-00-05A	SEAT SUPPORT ARM W/6 1/2" PLATE
5	13	0-76-30-01	3" X 4" X 47" WOOD SLAT
6	12	0-76-30-02	3" X 4" X 43" WOOD SLAT
7	12	1-12-039	3/8" X 5 1/2" SS HEX HD CAP SCR
8	50	1-13-016	3/8" X 2" SS BTN SKT HD LAG SCR
9	10	1-14-003	3/8" X 1" S.STL. ROLL PIN
10	12	1-20-007	3/8" SS NYLON LOCKNUT
11	74	1-22-024	3/8" SS FLAT WASHER

DuMor, inc.
 P.O. Box 142 Mifflintown, PA 17059-0142

SCALE : NONE
 DATE DRAWN : 3/22/94
 DRAWN BY : AH
 DATE REV. : 02/12/09
 REV. BY : ESS

TITLE : PEDESTAL TABLE ASSEMBLY

REV. H DRAWING NUMBER 76 SERIES-4 SHEET 2 OF 2