

SLAT OPTIONS

- "CEDAR" RECYCLED PLASTIC
- "GREEN" RECYCLED PLASTIC
- "GREY" RECYCLED PLASTIC
- "REDWOOD" RECYCLED PLASTIC
- "WALNUT" RECYCLED PLASTIC
- OTHER _____

LENGTH OPTIONS

- 6' TABLE
- 8' TABLE

FINISH OPTIONS:

- ALL STL. MEMBERS COATED W/ ZINC RICH EPOXY THEN FINISHED W/ POLYESTER POWDER COATING.
- HOT DIP GALV. AFTER FABRICATION.


DuMor, inc.
 P.O. Box 142 Mifflintown, PA 17059-0142

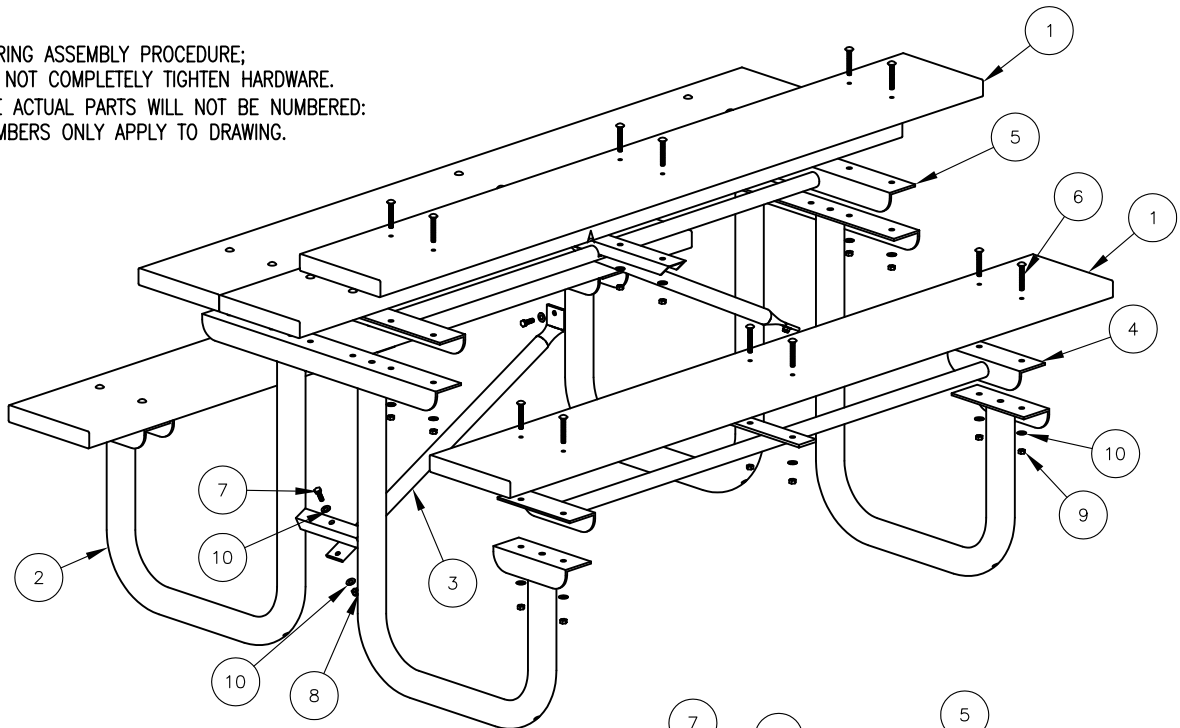
SCALE : NONE
 DATE DRAWN : 3/22/94
 DRAWN BY : AWH
 DATE REV. : 12/03/09
 REV. BY : ESS

TITLE : PICNIC TABLE
 REV. F
 DRAWING NUMBER 77 SERIES PL

SHEET 1 OF 2

NOTE:

- 1.) DURING ASSEMBLY PROCEDURE;
DO NOT COMPLETELY TIGHTEN HARDWARE.
- 2.) THE ACTUAL PARTS WILL NOT BE NUMBERED;
NUMBERS ONLY APPLY TO DRAWING.



STEP 1:

- USE 3 - PCS. 2" X 10" X 71" PLASTIC SLATS (1)
 1 - PC. 6' TABLE TOP BRACE (5)
 6 - PCS. 5/16" X 2 1/4" SS HEX CGE. BOLT (6)
 6 - PCS. 5/16" SS HEX NUT (9)
 6 - PCS. 5/16" SS FLAT WASHER (10)
- ATTACH 2" X 10" X 71" PLASTIC SLATS (1) TO CENTER OF 6' TABLE TOP BRACE (5) USING HARDWARE (6, 9 & 10). TIGHTEN TO SNUG FIT. REPEAT UNTIL ALL SLATS ARE ATTACHED.

STEP 2:

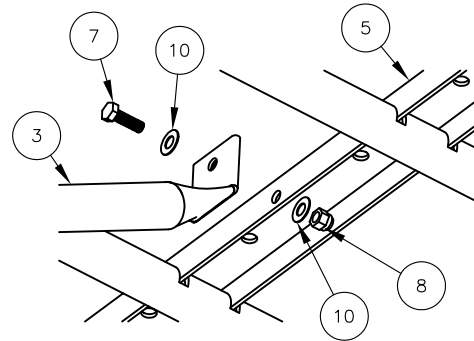
- USE 2 - PCS. END SUPPORT FRAME (2)
 12 - PCS. 5/16" X 2 1/4" SS HEX CGE. BOLT (6)
 12 - PCS. 5/16" SS HEX NUT (9)
 12 - PCS. 5/16" SS FLAT WASHER (10)
- ATTACH STEP 1 ASSEMBLY TO END SUPPORT FRAMES (2) USING HARDWARE (6, 9 & 10). TIGHTEN TO SNUG FIT.

STEP 3:

- USE 2 - PCS. 2" X 10" X 71" PLASTIC SLATS (1)
 2 - PCS. 6' SEAT BRACE (4)
 4 - PCS. 5/16" X 2 1/4" SS HEX CGE. BOLT (6)
 4 - PCS. 5/16" SS HEX NUT (9)
 4 - PCS. 5/16" SS FLAT WASHER (10)
- ATTACH 2" X 10" X 71" PLASTIC SLATS (1) TO CENTER OF 6' SEAT BRACE (4) USING HARDWARE (6, 9 & 10). TIGHTEN TO SNUG FIT.

STEP 4:

- USE 8 - PCS. 5/16" X 2 1/4" SS HEX CGE. BOLT (6)
 8 - PCS. 5/16" SS HEX NUT (9)
 8 - PCS. 5/16" SS FLAT WASHER (10)
- ATTACH STEP 3 ASSEMBLY TO STEP 2 ASSEMBLY SUPPORT FRAME (2) USING HARDWARE (6, 9 & 10). TIGHTEN TO SNUG FIT.



DETAIL A

STEP 5:

- USE 2 - PCS. DIAGONAL BRACE FOR 6' TABLE (3)
 4 - PCS. 5/16" X 1" SS HEX HD CAP SCREW (7)
 4 - PCS. 5/16" SS NYLON LOCK NUT (8)
 8 - PCS. 5/16" SS FLAT WASHER (10)
- ATTACH DIAGONAL BRACE FOR 6' TABLE (3) TO STEP 4 ASSEMBLY USING HARDWARE (7, 8 & 10) AS SHOWN IN DETAIL A. TIGHTEN TO SNUG FIT.

STEP 6:

UPON COMPLETION OF TABLE ASSEMBLY TIGHTEN ALL HARDWARE.

ITEM	QTY	PART NO	DESCRIPTION
1	5	0-71-60PL-01	2" X 10" X 71" PLASTIC SLAT
2	2	0-77-00-01	END SUPPORT FRAME
3	2	0-77-60-02	DIAGONAL BRACE FOR 6' TABLE
4	2	0-77-60-14	6' SEAT BRACE
5	1	0-77-60-15	6' TABLE TOP BRACE
6	30	1-11-062	5/16" X 2 1/4" SS CGE BOLT
7	4	1-12-061	5/16" X 1" SS HEX HD CAP SCR
8	4	1-20-016	5/16" SS NYLON LOCKNUT
9	30	1-21-015	5/16" SS HEX NUT
10	38	1-22-017	5/16" SS FLAT WASHER

DuMor, inc.
 P.O. Box 142 Mifflintown, PA 17059-0142

SCALE : NONE
 DATE DRAWN : 3/22/94
 DRAWN BY : AWH
 DATE REV. : 12/03/09
 REV. BY : ESS

TITLE : PICNIC TABLE ASSEMBLY

REV. F	DRAWING NUMBER 77 SERIES PL	SHEET 2 OF 2
--------	-----------------------------	--------------