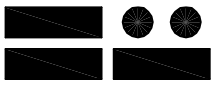


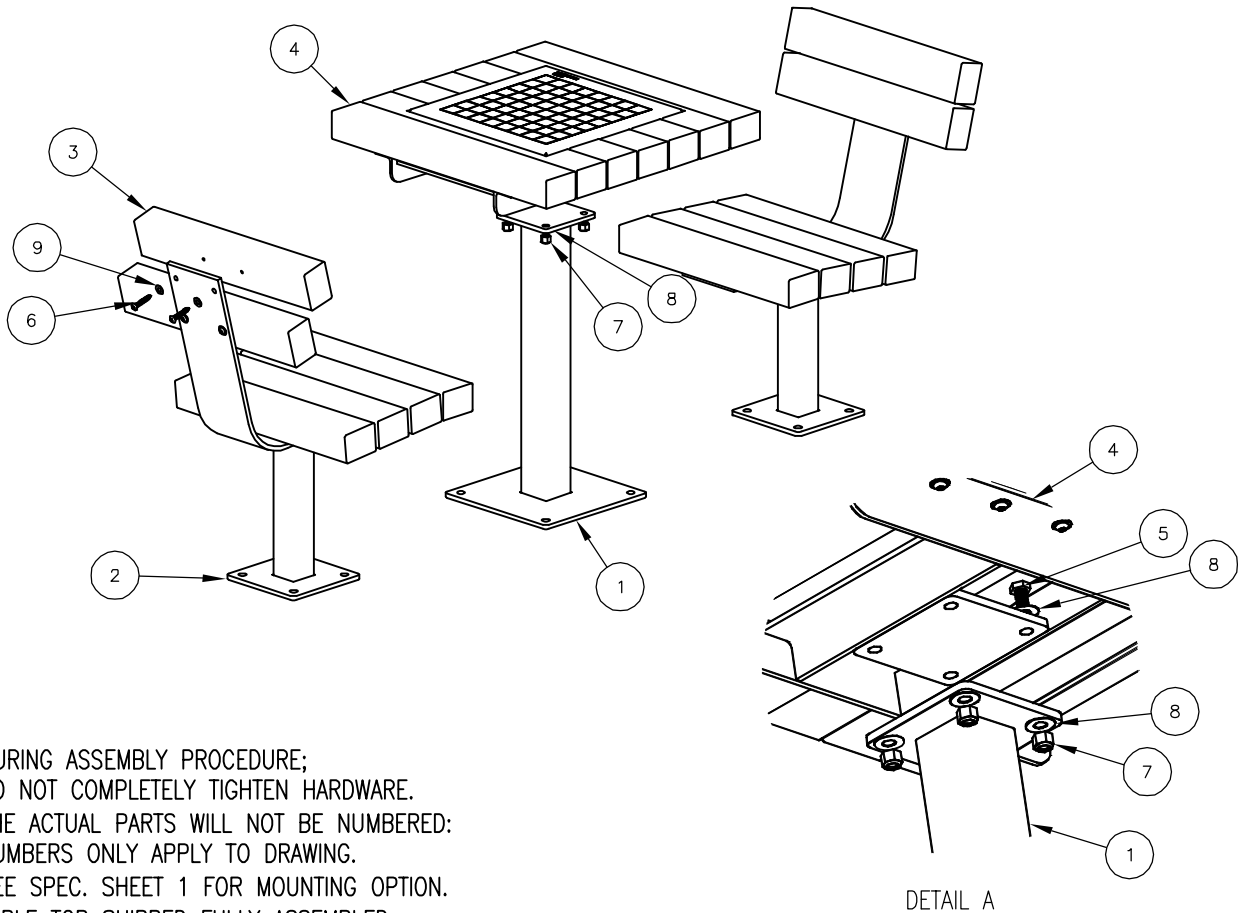
WOOD OPTIONS

- CLEAR ALL HEART REDWOOD S4S EE
- 'C' & BTR. DOUGLAS FIR KD S4S EE
- OTHER _____

NOTES

- 1.) ALL STL. MEMBERS COATED W/ ZINC RICH EPOXY THEN FINISHED W/ POLYESTER POWDER COATING.
 - 2.) ALL WOOD MEMBERS TREATED W/ CLEAR PRESERVATIVE.
 - 3.) 1/2" X 3 3/4" EXPANSION ANCHOR BOLTS PROVIDED FOR OPTIONS S-2, AND S-4.
- * UPCHARGE APPLIES TO SUPPORT OPTION - CONSULT YOUR LOCAL REPRESENTATIVE.

 DuMor, inc. P.O. Box 142 Mifflintown, PA 17059-0142	SCALE :	NONE	TITLE :		GAME TABLE
	DATE DRAWN :	3/22/94	REV.	DRAWING NUMBER	
	DRAWN BY :	AH	1	78-32	SHEET
	DATE REV. :	01/13/11			1 OF 2
	REV. BY :	RDH			



NOTE:

- 1.) DURING ASSEMBLY PROCEDURE;
DO NOT COMPLETELY TIGHTEN HARDWARE.
- 2.) THE ACTUAL PARTS WILL NOT BE NUMBERED;
NUMBERS ONLY APPLY TO DRAWING.
- 3.) SEE SPEC. SHEET 1 FOR MOUNTING OPTION.
- 4.) TABLE TOP SHIPPED FULLY ASSEMBLED.

STEP 1:

- USE 2 - PCS. SEAT SUPPORT FOR SURFACE MOUNT (2)
 - 12 - PCS. 3" X 4" X 20" SEAT SLAT (3)
 - 24 - PCS. 3/8" X 2" SS. BTN. SKT. HD. LAG SCR. (6)
 - 24 - PCS. 3/8" SS. FLAT WASHER (9)
- ATTACH 3" X 4" X 20" SEAT SLATS (3) TO SEAT SUPPORT FOR SURFACE MOUNT (2) USING HARDWARE (6 & 9). TIGHTEN TO SNUG FIT. REPEAT UNTIL ALL SLATS ARE ATTACHED.

STEP 2:

- USE 1 PC. TABLE SUPPORT FOR SURFACE MOUNT (1)
 - 1 PC. TABLE TOP ASSEMBLY W/ CHECKERBOARD (4)
 - 4 PCS. 1/2" X 1 1/2" SS HEX HD CAP SCR (5)
 - 4 PCS. 1/2" SS NYLON LOCK NUT (7)
 - 8 PCS. 1/2" SS FLAT WASHER (8)
- ATTACH TABLE TOP ASSEMBLY W/ CHECKERBOARD (4) TO TABLE SUPPORT FOR SURFACE MOUNT (1) USING HARDWARE (5, 7 & 8). TIGHTEN TO SNUG FIT.

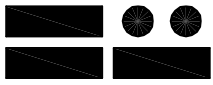
STEP 3:

UPON COMPLETION OF SEAT & TABLE ASSEMBLY SQUARE ALL COMPONENTS THEN TIGHTEN ALL HARDWARE.

STEP 4:

MOUNT AND ANCHOR AS SPECIFIED.

ITEM	QTY	PART NO	DESCRIPTION
1	1	0-78-00-01/S-2	TABLE SUPPORT FOR SURFACE MOUNT
2	2	0-78-00-02/S-2	SEAT SUPPORT FOR SURFACE MOUNT
3	12	0-78-00-04	3" X 4" X 20" SEAT SLAT
4	1	0-78-30	TABLE TOP ASSEMBLY W/ CKRBD
5	4	1-12-004	1/2" X 1 1/2" SS HEX HD CAP SCR
6	24	1-13-016	3/8" X 2" SS BTN SKT HD LAG SCR
7	4	1-20-015	1/2" SS NYLON LOCKNUT
8	8	1-22-015	1/2" SS FLAT WASHER
9	24	1-22-024	3/8" SS FLAT WASHER

 DuMor, inc. P.O. Box 142 Mifflintown, PA 17059-0142	SCALE :	NONE	TITLE : GAME TABLE ASSEMBLY	
	DATE DRAWN :	3/22/94		
	DRAWN BY :	AH	REV.	DRAWING NUMBER
	DATE REV. :	01/13/11	1	78-32
	REV. BY :	RDH		