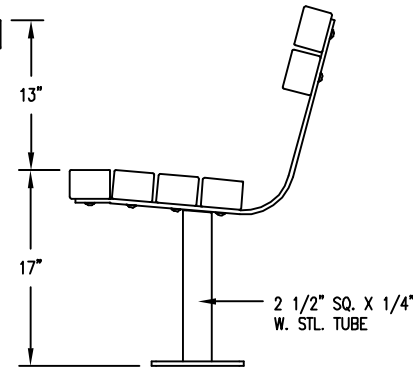
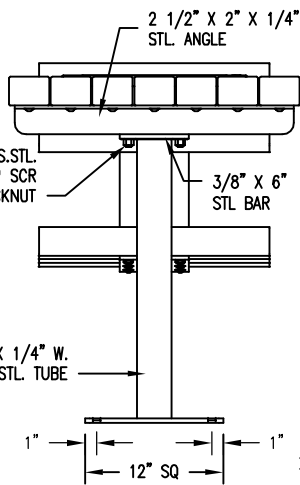
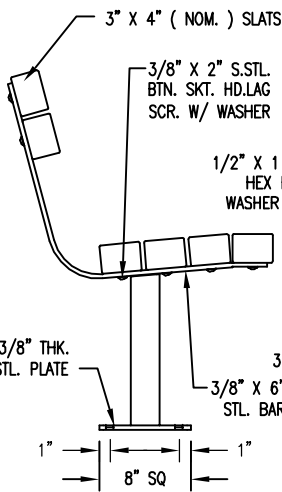
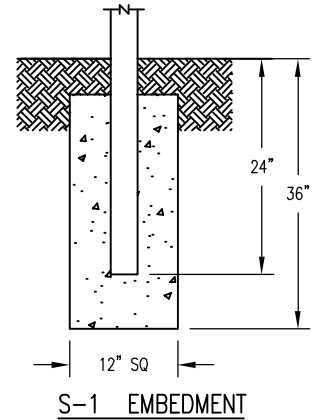
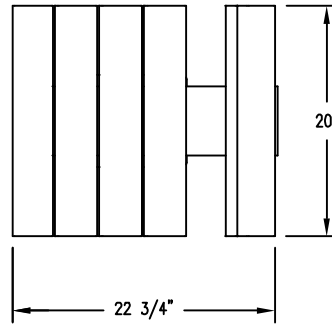
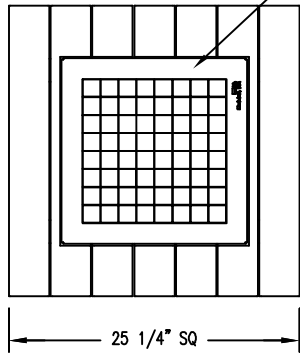
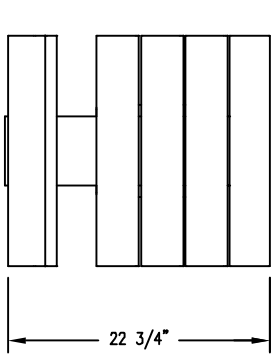


\* □ S-4 SUB FLOOR \*  
(SEE NOTES)



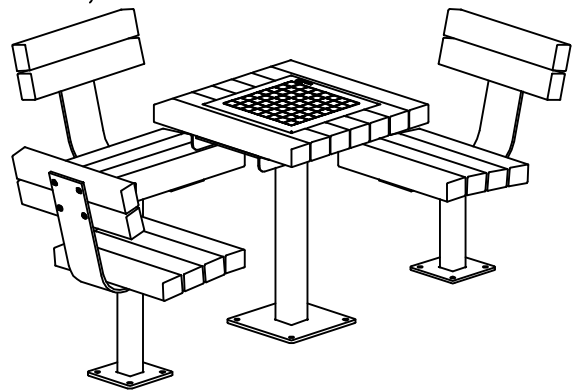
\* □ S-2 SURFACE \*  
AS SHOWN ABOVE  
(SEE NOTES)

**WOOD OPTIONS**

- CLEAR ALL HEART REDWOOD S4S EE
- 'C' & BTR. DOUGLAS FIR KD S4S EE
- OTHER \_\_\_\_\_

**NOTES**

- 1.) ALL STL. MEMBERS COATED W/ ZINC RICH EPOXY THEN FINISHED W/ POLYESTER POWDER COATING.
  - 2.) ALL WOOD MEMBERS TREATED W/ CLEAR PRESERVATIVE.
  - 3.) 1/2" X 3 3/4" EXPANSION ANCHOR BOLTS PROVIDED FOR OPTIONS S-2, AND S-4.
- \* UPCHARGE APPLIES TO SUPPORT OPTION - CONSULT YOUR LOCAL REPRESENTATIVE.



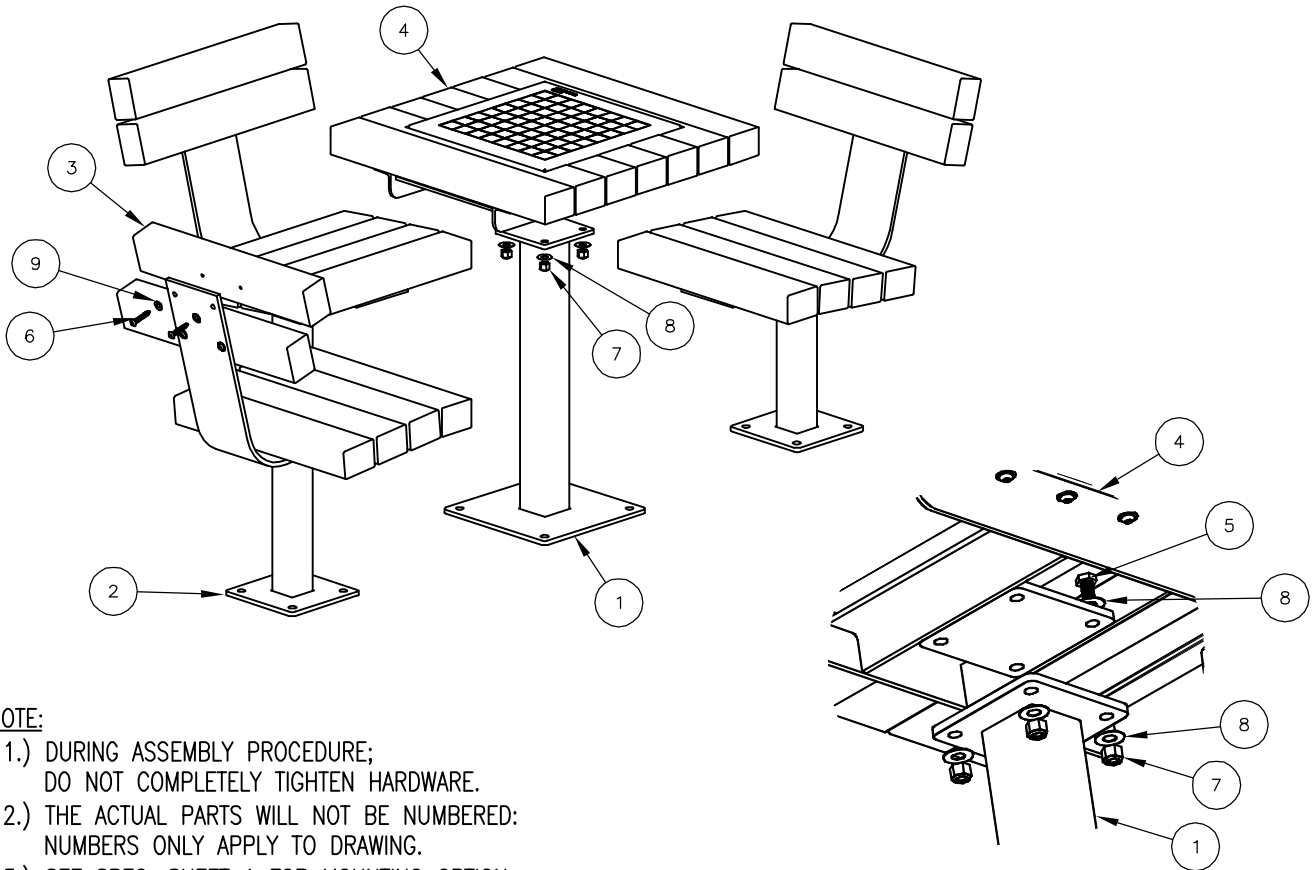
**DuMor, inc.**  
P.O. Box 142 Mifflintown, PA 17059-0142

SCALE : NONE  
DATE DRAWN : 12/10/06  
DRAWN BY : JSB  
DATE REV. : 01/13/11  
REV. BY : RDH

TITLE : GAME TABLE

REV. E  
DRAWING NUMBER 78-33

SHEET 1 OF 2



**NOTE:**

- 1.) DURING ASSEMBLY PROCEDURE;  
DO NOT COMPLETELY TIGHTEN HARDWARE.
- 2.) THE ACTUAL PARTS WILL NOT BE NUMBERED;  
NUMBERS ONLY APPLY TO DRAWING.
- 3.) SEE SPEC. SHEET 1 FOR MOUNTING OPTION.
- 4.) TABLE TOP SHIPPED FULLY ASSEMBLED.

**STEP 1:**

USE 3 - PCS. SEAT SUPPORT FOR SURFACE MOUNT ( 2 )  
 18 - PCS. 3" X 4" X 20" SEAT SLAT ( 3 )  
 36 - PCS. 3/8" X 2" SS. BTN. SKT. HD. LAG SCR. ( 6 )  
 36 - PCS. 3/8" SS. FLAT WASHER ( 9 )  
 ATTACH 3" X 4" X 20" SEAT SLATS ( 3 ) TO SEAT SUPPORT  
 FOR SURFACE MOUNT ( 2 ) USING HARDWARE ( 6 & 9 ).  
 TIGHTEN TO SNUG FIT. REPEAT UNTIL ALL SLATS ARE ATTACHED.

**STEP 2:**

USE 1 PC. TABLE SUPPORT FOR SURFACE MOUNT ( 1 )  
 1 PC. TABLE TOP ASSEMBLY W/ CHECKERBOARD ( 4 )  
 4 PCS. 1/2" X 1 1/2" SS HEX HD CAP SCR ( 5 )  
 4 PCS. 1/2" SS NYLON LOCK NUT ( 7 )  
 8 PCS. 1/2" SS FLAT WASHER ( 8 )  
 ATTACH TABLE TOP ASSEMBLY W/ CHECKERBOARD ( 4 ) TO  
 TABLE SUPPORT FOR SURFACE MOUNT ( 1 ) USING HARDWARE  
 ( 5, 7 & 8 ). TIGHTEN TO SNUG FIT.

**STEP 3:**

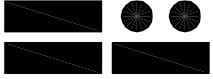
UPON COMPLETION OF SEAT & TABLE ASSEMBLY SQUARE  
 ALL COMPONENTS THEN TIGHTEN ALL HARDWARE.

**STEP 4:**

MOUNT AND ANCHOR AS SPECIFIED.

DETAIL A

ITEM	QTY	PART NO	DESCRIPTION
1	1	0-78-00-01/S-2	TABLE SUPPORT FOR SURFACE MOUNT
2	3	0-78-00-02/S-2	SEAT SUPPORT FOR SURFACE MOUNT
3	18	0-78-00-04	3" X 4" X 20" SEAT SLAT
4	1	0-78-30	TABLE TOP ASSEMBLY W/ CKRBD
5	4	1-12-004	1/2" X 1 1/2" SS HEX HD CAP SCR
6	36	1-13-016	3/8" X 2" SS BTN SKT HD LAG SCR
7	4	1-20-015	1/2" SS NYLON LOCKNUT
8	8	1-22-015	1/2" SS FLAT WASHER
9	36	1-22-024	3/8" SS FLAT WASHER

 <b>DuMor, inc.</b> P.O. Box 142 Mifflintown, PA 17059-0142	SCALE :	NONE	TITLE : GAME TABLE ASSEMBLY	
	DATE DRAWN :	12/10/06		
	DRAWN BY :	JSB	REV.	DRAWING NUMBER
	DATE REV. :	01/13/11	E	78-33
	REV. BY :	RDH		2 OF 2