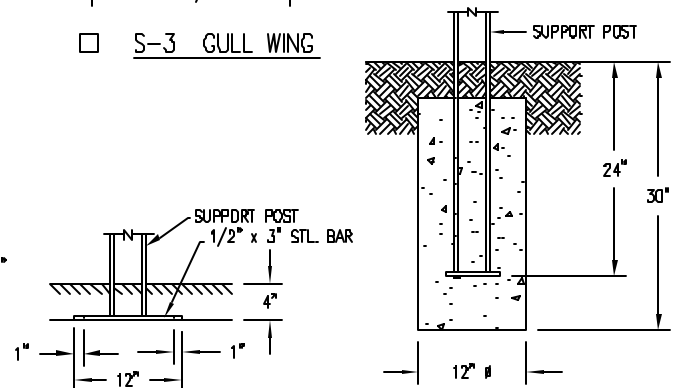


S-3 GULL WING



S-4 SUB FLOOR

S-1 EMBEDMENT

**NOTES**

- 1.) ALL STL. MEMBERS COATED W/ ZINC RICH EPOXY THEN FINISHED W/ POLYESTER POWDER COATING.
- 2.) 1/2" X 3 3/4" EXPANSION ANCHOR BOLTS PROVIDED FOR OPTIONS S-2, S-3, & S-4.
- 3.) 22 GAL. PLASTIC LINER PROVIDED.

**SLAT OPTIONS**

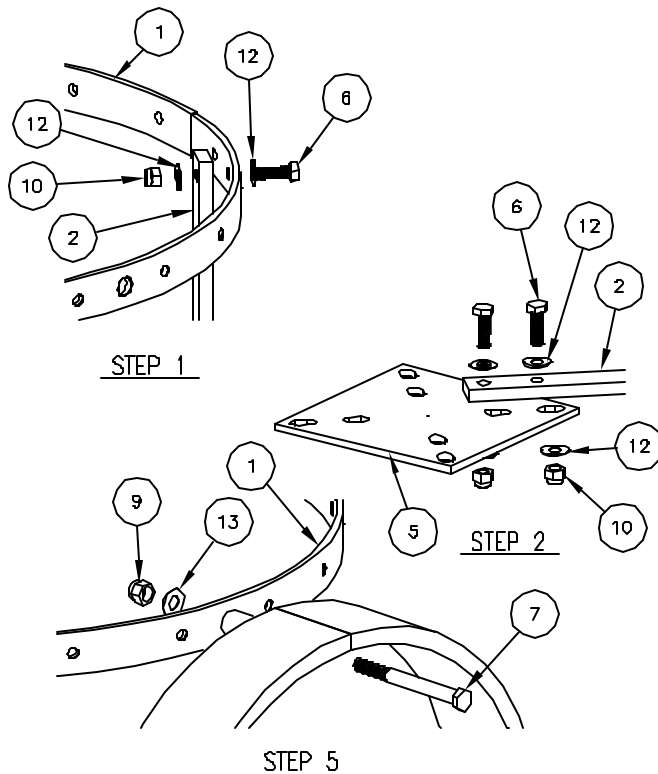
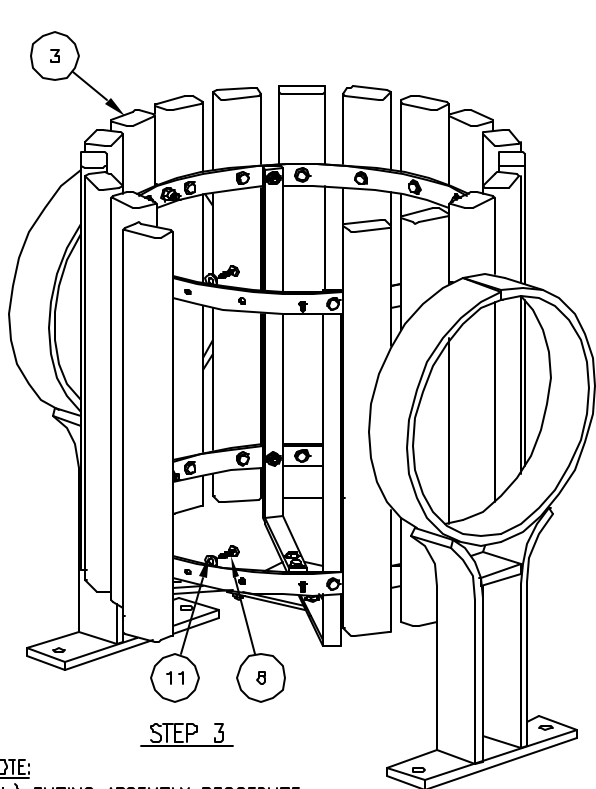
- "CEDAR" RECYCLED PLASTIC
- "GREEN" RECYCLED PLASTIC
- "GREY" RECYCLED PLASTIC
- "REDWOOD" RECYCLED PLASTIC
- OTHER \_\_\_\_\_



**DuMor, inc.**  
P.O. Box 142 Mifflintown, PA 17059-0142

SCALE :	NONE
DATE DRAWN :	10/29/01
DRAWN BY :	GDC
DATE REV. :	
REV. BY :	

TITLE :	RECEPTACLE	
REV.	DRAWING NUMBER	SHEET
A	85-22PL/46-00	1 OF 2



**NOTE:**

- 1.) DURING ASSEMBLY PROCEDURE:  
DO NOT COMPLETELY TIGHTEN HARDWARE.
- 2.) THE ACTUAL PARTS WILL NOT BE NUMBERED:  
NUMBERS ONLY APPLY TO DRAWING.
- 3.) SEE SPEC. SHEET 1 FOR OTHER MOUNTING OPTIONS.

**STEP 1:**

USE 2 - PCS. HOOP ( 1 )  
 4 - PCS. "L" SUPPORT STRAP FOR 20 GAL. ( 2 )  
 8 - PCS. 5/16" X 1" SS. HEX HD. CAP SCR. ( 6 )  
 8 - PCS. 5/16" SS. NYLON LOCK NUT ( 10 )  
 16 - PCS. 5/16" SS. FLAT WASHER ( 12 )  
 ATTACH "L" SUPPORT STRAP FOR 20 GAL. ( 2 ) TO HOOP ( 1 )  
 USING HARDWARE ( 6, 10, & 12 ). TIGHTEN TO SNUG FIT.  
 REPEAT UNTIL ALL "L" SUPPORT STRAPS ARE ATTACHED TO HOOPS.

**STEP 2:**

USE 1 - PC. CENTER PLATE ( 5 )  
 8 - PCS. 5/16" X 1" SS. HEX HD. CAP SCR. ( 6 )  
 8 - PCS. 5/16" SS. NYLON LOCK NUT ( 10 )  
 16 - PCS. 5/16" SS. FLAT WASHER ( 12 )  
 ATTACH CENTER PLATE ( 5 ) TO STEP 1 ASSEMBLY USING  
 HARDWARE ( 6, 10, & 12 ). TIGHTEN TO SNUG FIT.

**STEP 3:**

USE 20 - PCS. 2" X 3" X 23 3/4" RECYCLED PLASTIC SLAT ( 3 )  
 40 - PCS. 1/4" X 1 1/4" SS. HEX HD. LAG SCR. ( 8 )  
 40 - PCS. 1/4" SS. FLAT WASHER ( 11 )  
 ATTACH 2" X 3" X 23 3/4" RECYCLED PLASTIC SLATS ( 3 )  
 TO STEP 2 ASSEMBLY USING HARDWARE ( 8 & 11 ). TIGHTEN  
 TO SNUG FIT. REPEAT UNTIL ALL SLATS ARE ATTACHED.

**STEP 4:**

UPON COMPLETION OF BASKET ASSEMBLY SQUARE ALL  
 COMPONENTS THEN TIGHTEN ALL HARDWARE.

**STEP 5:**

USE 2 - PC. SUPPORT FOR SURFACE MOUNT ( 4 )  
 4 - PC. 3/8" X 4" SS. HEX HD. CAP SCR. ( 7 )  
 4 - PC. 3/8" SS. NYLON LOCK NUT ( 9 )  
 4 - PC. 3/8" SS. FLAT WASHER ( 13 )

ATTACH SUPPORT FOR SURFACE MOUNT ( 4 ) TO STEP 4  
 ASSEMBLY USING HARDWARE ( 7, 9, & 13 ) AND  
 TIGHTEN ALL HARDWARE.

**STEP 6:**

TO ATTACH COVER, REMOVE ONE 1/4" X 1 1/4" LAG SCREW  
 AND FASTEN OPEN END OF CABLE TO BASKET USING  
 THE LAG REMOVED.

**STEP 7:**

MOUNT AND ANCHOR AS SPECIFIED.

ITEM	QTY	PART NO	DESCRIPTION
1	2	0-41-20-02	HOOP FOR 20 GAL ( 21 11/16" DIA )
2	4	0-41-20-05	"L" SUPPORT STRAP FOR 20 GAL
3	20	0-41-20PL-01	2" X 3" X 23 3/4" RECYCLED PLASTIC SLAT
4	2	0-85-00-01/5-2	SUPPORT FOR SURFACE MOUNT
5	1	0-85-00-02	CENTER PLATE ( 85 )
6	16	1-12-061	5/16" X 1" SS HEX HD CAP SCR
7	4	1-12-081	3/8" X 4" SS HEX HD CAP SCR
8	40	1-13-004	1/4" X 1 1/4" SS HEX HD LAG SCR
9	4	1-20-007	3/8" SS NYLON LOCKNUT
10	16	1-20-016	5/16" SS NYLON LOCKNUT
11	40	1-22-006	1/4" SS FLAT WASHER
12	32	1-22-017	5/16" SS FLAT WASHER
13	4	1-22-024	3/8" SS FLAT WASHER

**DuMor, inc.**

P.O. Box 142 Mifflintown, PA 17059-0142

SCALE :

NONE

DATE DRAWN : 10/30/01

DRAWN BY : CDC

DATE REV. :

REV. BY :

TITLE :

RECEPTACLE ASSEMBLY

REV.

A

DRAWING  
NUMBER

85-22PL/46-00

SHEET

2 OF 2