

NOTES:

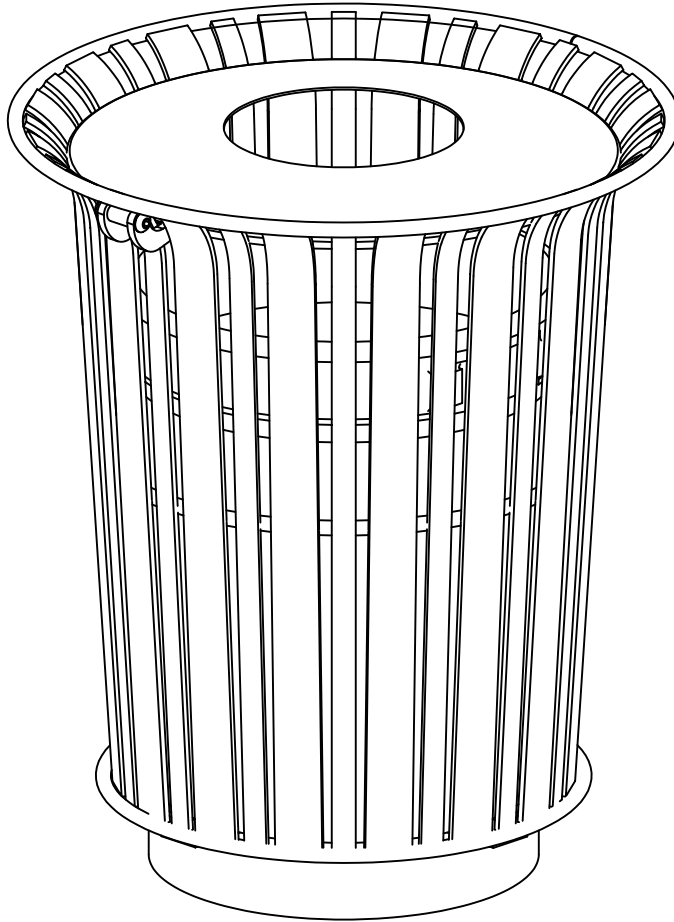
- 1.) ALL STL. MEMBERS COATED W/ ZINC RICH EPOXY THEN FINISHED W/ POLYESTER POWDER COATING.
- 2.) 1/2" X 3 3/4" EXPANSION ANCHOR BOLTS PROVIDED.
- 3.) RECEPTACLE FULLY ASSEMBLED AT FACTORY.


DuMor, inc.
 P.O. Box 142 Mifflintown, PA 17059-0142

SCALE : NONE
 DATE DRAWN : 3/22/94
 DRAWN BY : AH
 DATE REV. : 8/14/08
 REV. BY : AWB

TITLE : RECEPTACLE
 REV. F
 DRAWING NUMBER 87-22-FTO

SHEET
 1 OF 2



NOTE:

- 1.) RECEPTACLE SHIPPED FULLY ASSEMBLED.
- 2.) COVER ATTACHED W/ 1/8" VINYL COATED CABLE.
- 3.) MOUNT AND ANCHOR AS SPECIFIED.



DuMor, inc.

P.O. Box 142 Mifflintown, PA 17059-0142

SCALE :	NONE
DATE DRAWN :	1/4/00
DRAWN BY :	JSB
DATE REV. :	8/14/08
REV. BY :	AWH

TITLE :	RECEPTACLE ASSEMBLY	
REV.	DRAWING NUMBER	
F	87-22-FTO	
		SHEET 2 OF 2