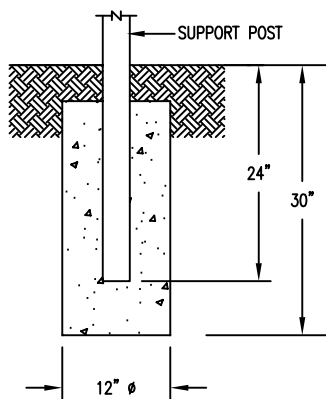
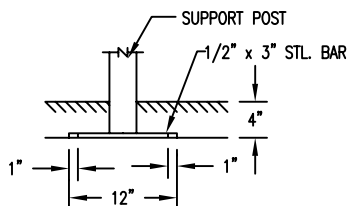
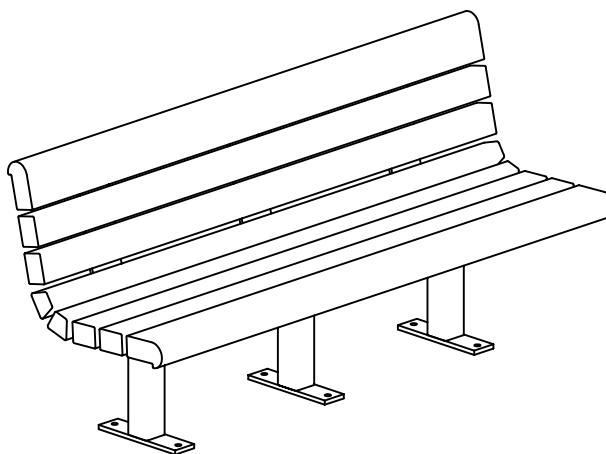


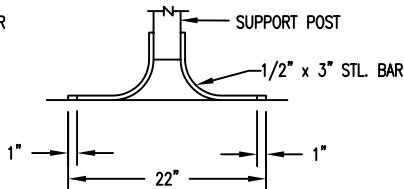
S-2 SURFACE



S-1 EMBEDMENT



S-4 SUB FLOOR



S-3 GULL WING

LENGTH OPTIONS

- 6' BENCH
- 8' BENCH

SLAT OPTIONS

- "CEDAR" RECYCLED PLASTIC
- "GREY" RECYCLED PLASTIC
- "REDWOOD" RECYCLED PLASTIC
- "GREEN" RECYCLED PLASTIC
- "WALNUT" RECYCLED PLASTIC
- OTHER \_\_\_\_\_

NOTES

- 1.) ALL STL. MEMBERS COATED W/ ZINC RICH EPOXY THEN FINISHED W/ POLYESTER POWDER COATING.
- 2.) 1/2" X 3 3/4" EXPANSION ANCHOR BOLT PROVIDED FOR S-2, S-3 & S-4 OPTIONS.

  
**DuMor, inc.**  
 P.O. Box 142 Mifflintown, PA 17059-0142

SCALE : NONE  
 DATE DRAWN : 7/31/95  
 DRAWN BY : AH  
 DATE REV. : 12/03/09  
 REV. BY : ESS

TITLE : BENCH

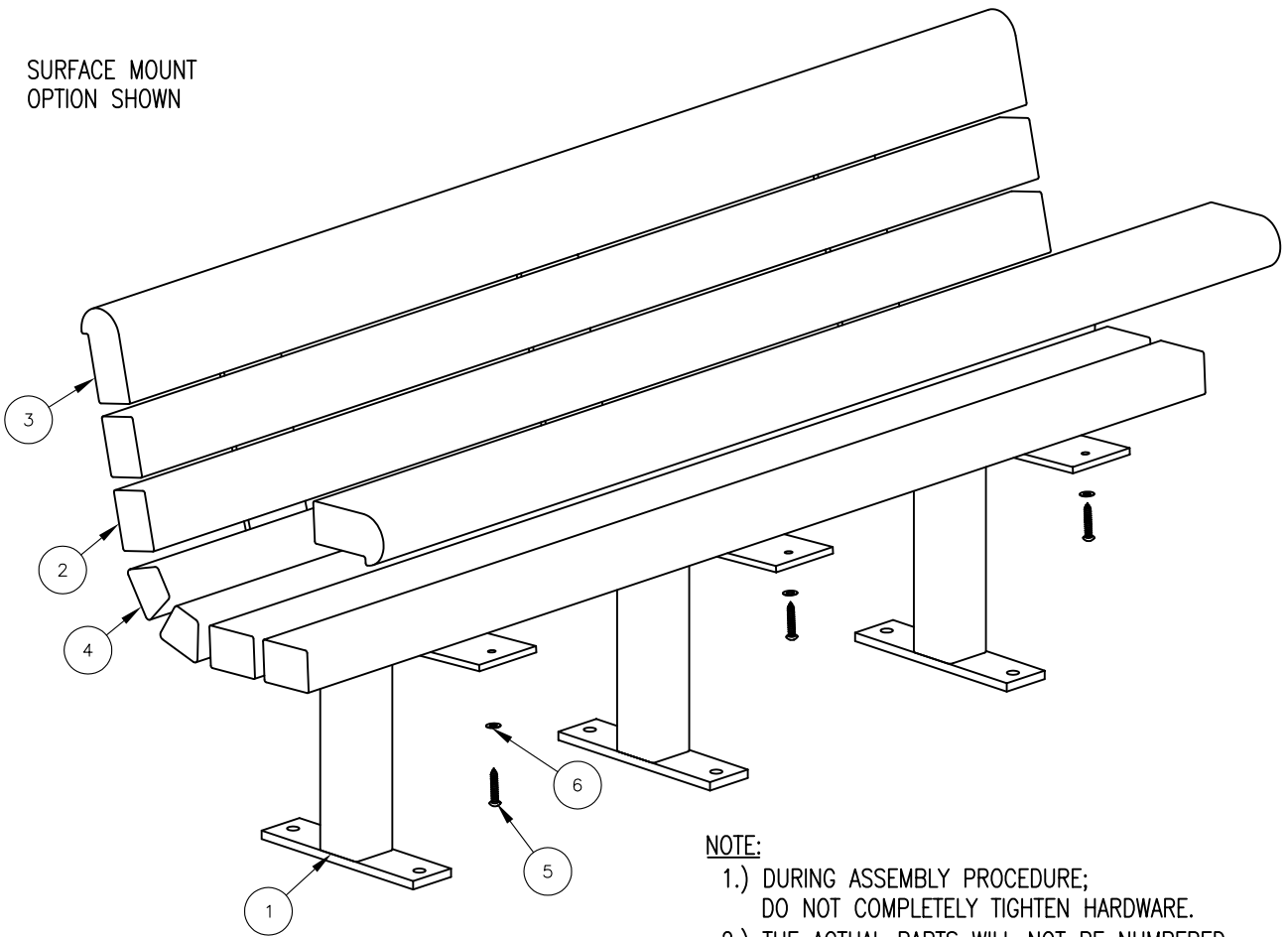
REV. C

DRAWING NUMBER

88 SERIES PL

SHEET 1 OF 2

SURFACE MOUNT  
OPTION SHOWN



**NOTE:**

- 1.) DURING ASSEMBLY PROCEDURE;  
DO NOT COMPLETELY TIGHTEN HARDWARE.
- 2.) THE ACTUAL PARTS WILL NOT BE NUMBERED:  
NUMBERS ONLY APPLY TO DRAWING.
- 3.) SEE SPEC. SHEET 1 FOR MOUNTING OPTION.

**STEP 1:**

- USE 3 - PCS. SUPPORT FOR SURFACE MOUNT ( 1 )
- 4 - PCS. 3" X 4" X 71" PLASTIC INT'R SLAT ( 2 )
- 2 - PCS. 71" PLASTIC EDGE SLAT ( 3 )
- 2 - PCS. 71" PLASTIC TRAP SLAT ( 4 )
- 24 - PCS. 3/8" X 2" SS. BTN. SKT. HD. LAG SCR. ( 5 )
- 24 - PCS. 3/8" SS. FLAT WASHER ( 6 )

ATTACH SLATS ( 2, 3, & 4 ) TO SUPPORT FOR SURFACE MOUNT ( 1 ) USING HARDWARE ( 5 & 6 ). TIGHTEN TO SNUG FIT.  
REPEAT UNTIL ALL SLATS ARE ATTACHED.

**STEP 2:**

UPON COMPLETION OF BENCH ASSEMBLY SQUARE ALL COMPONENTS THEN TIGHTEN ALL HARDWARE.

**STEP 3:**

ANCHOR ACCORDING TO SUPPORT OPTION USED.

| ITEM | QTY | PART NO        | DESCRIPTION                      |
|------|-----|----------------|----------------------------------|
| 1    | 3   | 0-88-00-01/S-2 | BENCH SUPPORT FOR SURFACE MOUNT  |
| 2    | 4   | 0-88-60PL-02   | 3" X 4" X 71" PLASTIC INT'R SLAT |
| 3    | 2   | 0-88-60PL-03   | 71" PLASTIC EDGE SLAT            |
| 4    | 2   | 0-88-60PL-04   | 71" PLASTIC TRAP SLAT            |
| 5    | 24  | 1-13-016       | 3/8" X 2" SS BTN SKT HD LAG SCR  |
| 6    | 24  | 1-22-024       | 3/8" SS FLAT WASHER              |



**DuMor, inc.**  
P.O. Box 142 Mifflintown, PA 17059-0142

SCALE : NONE  
DATE DRAWN : 7/31/95  
DRAWN BY : AH  
DATE REV. : 12/02/09  
REV. BY : ESS

TITLE : BENCH ASSEMBLY

REV. C

DRAWING NUMBER

88 SERIES PL

SHEET 2 OF 2