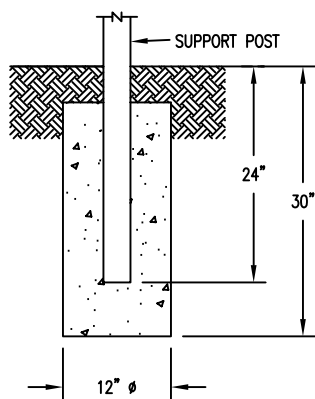
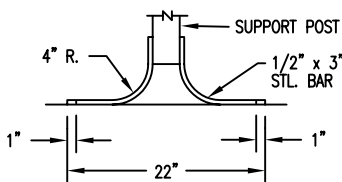


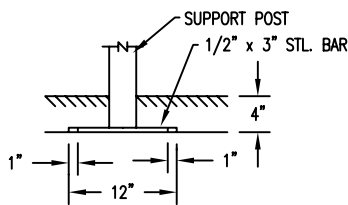
S-2 SURFACE



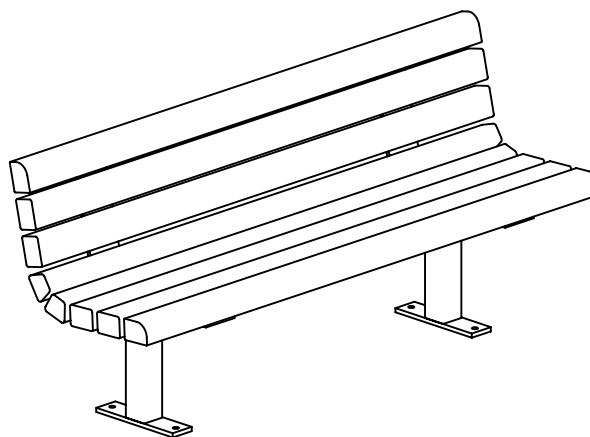
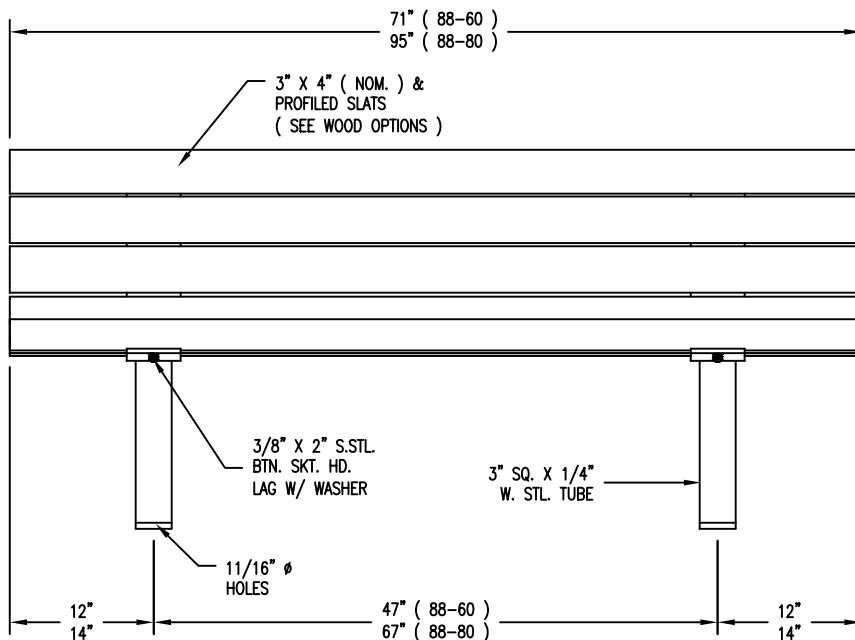
S-1 EMBEDMENT



S-3 GULL WING



S-4 SUB FLOOR



LENGTH OPTIONS

- 6' BENCH
- 8' BENCH

NOTES

- 1.) ALL STL. MEMBERS COATED W/ ZINC RICH EPOXY THEN FINISHED W/ POLYESTER POWDER COATING.
- 2.) ALL WOOD MEMBERS TREATED W/ CLEAR PRESERVATIVE.
- 3.) 1/2" X 3 3/4" EXPANSION ANCHOR BOLTS PROVIDED FOR S-2, S-3 & S-4 OPTIONS.

WOOD OPTIONS

- CLEAR ALL HEART REDWOOD S4S EE
- 'C' & BTR. DOUGLAS FIR KD S4S EE
- OTHER _____

DuMor, inc.
 P.O. Box 142 Mifflintown, PA 17059-0142

SCALE : NONE
 DATE DRAWN : 7/31/95
 DRAWN BY : AH
 DATE REV. : 12/15/08
 REV. BY : ESS

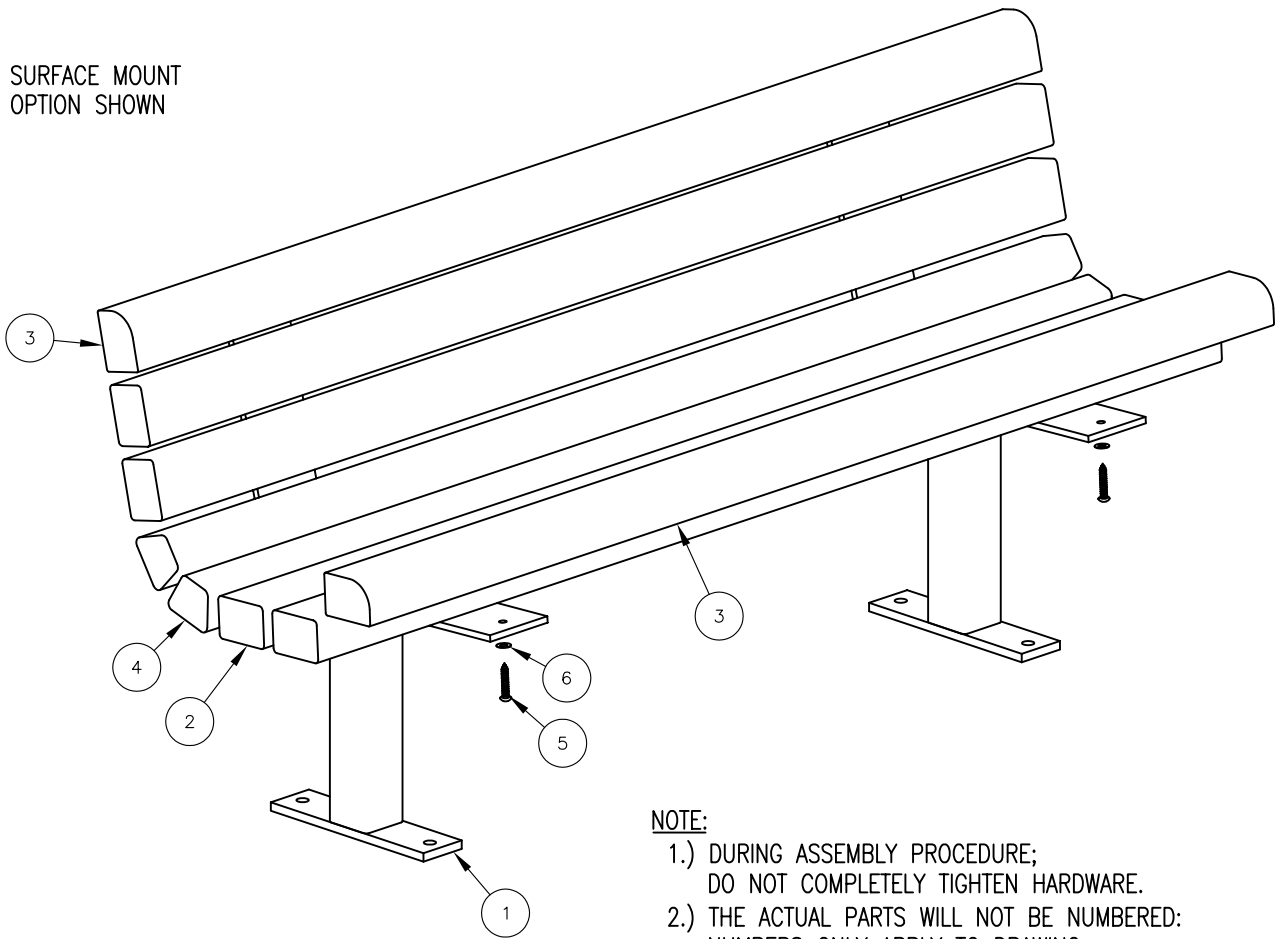
TITLE : BENCH
 REV. D

DRAWING NUMBER

88 SERIES

SHEET 1 OF 2

SURFACE MOUNT
OPTION SHOWN



NOTE:

- 1.) DURING ASSEMBLY PROCEDURE;
DO NOT COMPLETELY TIGHTEN HARDWARE.
- 2.) THE ACTUAL PARTS WILL NOT BE NUMBERED;
NUMBERS ONLY APPLY TO DRAWING.
- 3.) SEE SPEC. SHEET 1 FOR MOUNTING OPTION.

STEP 1:

- USE 2 - PCS. SUPPORT FOR SURFACE MOUNT (1)
 4 - PCS. 3" X 4" X 71" WOOD INT'R SLATS (2)
 2 - PCS. 3" X 4" X 71" WOOD EDGE SLATS (3)
 2 - PCS. 3" X 4" X 71" WOOD TRAP SLATS (4)
 16 - PCS. 3/8" X 2" SS. BTN. SKT. HD. LAG SCR. (5)
 16 - PCS. 3/8" SS. FLAT WASHER (6)

ATTACH SLATS (2, 3, & 4) TO SUPPORT FOR SURFACE
MOUNT (1) USING HARDWARE (5 & 6). TIGHTEN TO SNUG FIT.
REPEAT UNTIL ALL SLATS ARE ATTACHED.

STEP 2:

UPON COMPLETION OF BENCH ASSEMBLY SQUARE ALL
COMPONENTS THEN TIGHTEN ALL HARDWARE.

STEP 3:

ANCHOR ACCORDING TO SUPPORT OPTION USED.

ITEM	QTY	PART NO	DESCRIPTION
1	2	0-88-00-01/S-2	BENCH SUPPORT FOR SURFACE MOUNT
2	4	0-88-60-02	3" X 4" X 71" WOOD INT'R SLAT
3	2	0-88-60-03	3" X 4" X 71" WOOD EDGE SLAT
4	2	0-88-60-04	3" X 4" X 71" WOOD TRAP SLAT
5	16	1-13-016	3/8" X 2" SS BTN SKT HD LAG SCR
6	16	1-22-024	3/8" SS FLAT WASHER

DuMor, inc.
P.O. Box 142 Mifflintown, PA 17059-0142

SCALE : NONE
 DATE DRAWN : 7/31/95
 DRAWN BY : AH
 DATE REV. : 12/15/08
 REV. BY : ESS

TITLE : BENCH ASSEMBLY

REV. D

DRAWING NUMBER

88 SERIES

SHEET 2 OF 2