

LENGTH OPTIONS

- 6' BENCH
- 8' BENCH

NOTES

- 1.) ALL STL. MEMBERS COATED W/ ZINC RICH EPOXY THEN POLYESTER POWDER COATED.
- 2.) WOOD MEMBERS TRTD. W/ CLEAR PRESERVATIVE.
- 3.) 1/2" X 3 3/4" EXPANSION ANCHOR BOLTS PROVIDED.

WOOD OPTIONS

- CLEAR ALL HEART REDWOOD S4S EE
- 'C' & BTR. DOUGLAS FIR S4S EE
- CLEAR IPE S4S EE
- OTHER \_\_\_\_\_

  
**DuMor, inc.**  
 P.O. Box 142 Mifflintown, PA 17059-0142

SCALE : NONE  
 DATE DRAWN : 10/18/98  
 DRAWN BY : AH  
 DATE REV. : 12/15/08  
 REV. BY : ESS

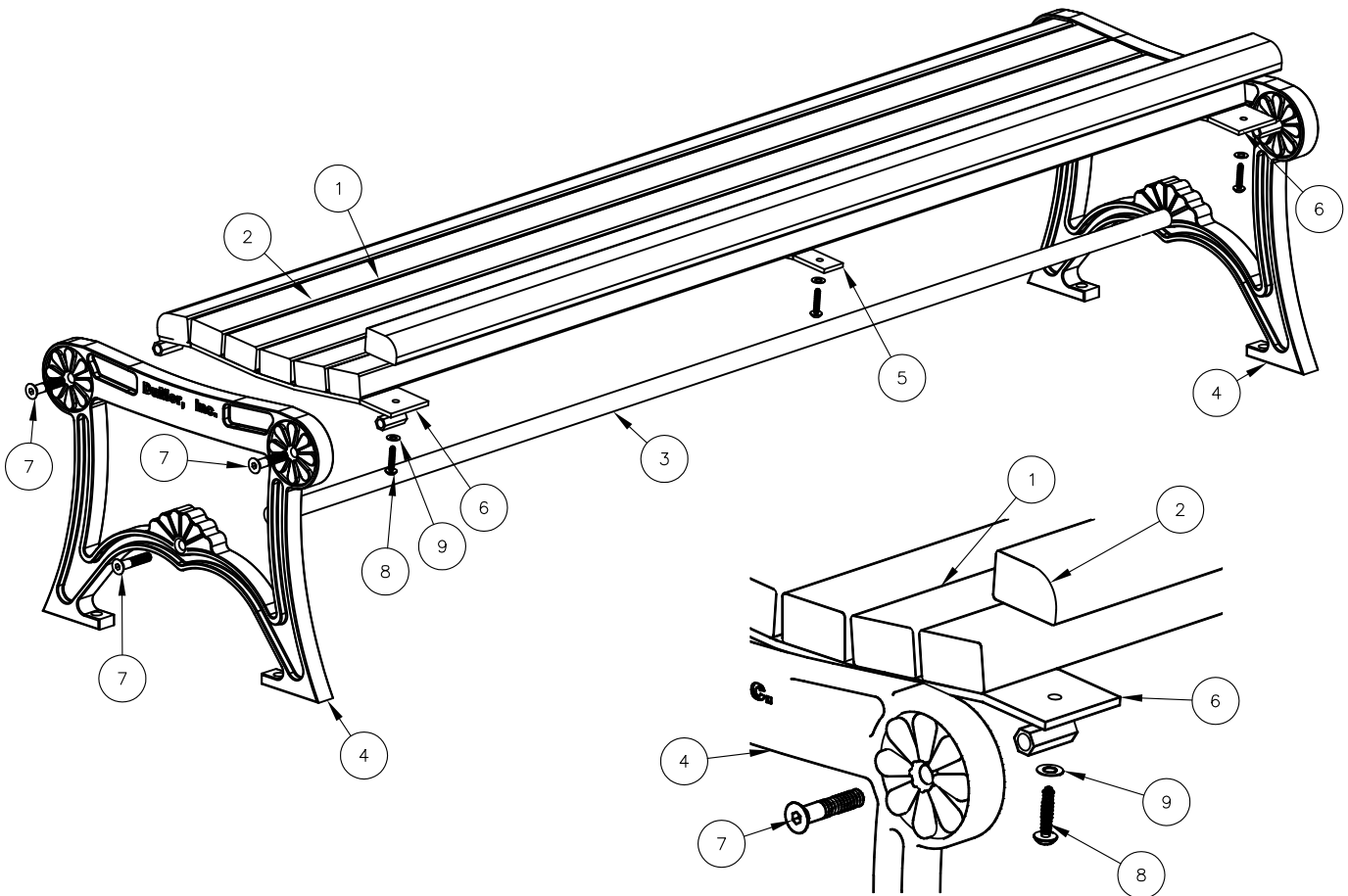
TITLE :  
 REV. C

BENCH

DRAWING NUMBER

91 SERIES

SHEET 1 OF 2



**NOTE:**

- 1.) DURING ASSEMBLY PROCEDURE;  
DO NOT COMPLETELY TIGHTEN HARDWARE.
- 2.) THE ACTUAL PARTS WILL NOT BE NUMBERED;  
NUMBERS ONLY APPLY TO DRAWING.

**STEP 1:**

- USE 2 - PCS. CAST IRON BENCH SUPPORT ( 4 )
  - 1 - PC. 71 3/4" PIPE BRACE ( 3 )
  - 2 - PCS. 1/2" X 2 1/2" FLT. SKT. HD. CAP SCR. ( 7 )
- ATTACH CAST IRON BENCH SUPPORTS ( 4 ) TO 71 3/4" PIPE BRACE ( 3 ) USING HARDWARE ( 7 ). TIGHTEN TO SNUG FIT.

**STEP 2:**

- USE 2 - PCS. END STRAP ( 6 )
  - 4 - PCS. 1/2" X 2 1/2" FLT. SKT. HD. CAP SCR. ( 7 )
- ATTACH END STRAP ( 6 ) TO STEP 1 ASSEMBLY USING HARDWARE ( 7 ). TIGHTEN TO SNUG FIT.

**STEP 3:**

- USE 5 - PCS. 2" X 3" X 71" WOOD INT'R SLAT ( 1 )
  - 2 - PCS. 2" X 3" X 71" WOOD EDGE SLAT ( 2 )
  - 14 - PCS. 5/16" X 1 1/2" SS. BTN. SKT. HD. LAG ( 8 )
  - 14 - PCS. 5/16" SS. FLAT WASHER ( 9 )
- ATTACH INT'R SLATS ( 1 ) & EDGE SLATS ( 2 ) TO STEP 2 ASSEMBLY USING HARDWARE ( 8 & 9 ). TIGHTEN TO SNUG FIT. REPEAT UNTIL ALL SLATS ARE ATTACHED.

**DETAIL A**

**STEP 4:**

- USE 1 - PC. CENTER STRAP ( 5 )
  - 7 - PCS. 5/16" X 1 1/2" SS. BTN. SKT. HD. LAG ( 8 )
  - 7 - PCS. 5/16" SS. FLAT WASHER ( 9 )
- ATTACH CENTER STRAP ( 5 ) TO STEP 3 ASSEMBLY USING HARDWARE ( 8 & 9 ). TIGHTEN TO SNUG FIT.

**STEP 5:**

UPON COMPLETION OF BENCH ASSEMBLY SQUARE ALL COMPONENTS THEN TIGHTEN ALL HARDWARE.

**STEP 6:**

MOUNT AND ANCHOR AS SPECIFIED.

ITEM	QTY	PART NO	DESCRIPTION
1	5	0-57-60-01	2" X 3" X 71" WOOD INT'R SLAT
2	2	0-57-60-02	2" X 3" X 71" WOOD EDGE SLATS
3	1	0-57-60-04	71 3/4" PIPE BRACE
4	2	0-91-00-02	BKLESS CAST IRON BNCH SUPT
5	1	0-91-00-03	CENTER STRAP
6	2	0-91-00-04	END CONTOUR STRAP
7	6	1-12-065	1/2" X 2 1/2" FLT SKT HD CAP SCR
8	21	1-13-023	5/16" X 1 1/2" SS BTN SKT HD LAG
9	21	1-22-017	5/16" SS FLAT WASHER

**DuMor, inc.**  
P.O. Box 142 Mifflintown, PA 17059-0142

SCALE : NONE  
DATE DRAWN : 10/18/98  
DRAWN BY : AH  
DATE REV. : 12/15/08  
REV. BY : ESS

TITLE : BENCH ASSEMBLY

REV. C

DRAWING NUMBER

91 SERIES

SHEET 2 OF 2