

SLAT OPTIONS

- "CEDAR" RECYCLED PLASTIC
- "GREEN" RECYCLED PLASTIC
- "GREY" RECYCLED PLASTIC
- "REDWOOD" RECYCLED PLASTIC
- "WALNUT" RECYCLED PLASTIC
- OTHER -----

NOTES

1.) ALL STL. MEMBERS COATED W/ ZINC RICH EPOXY THEN FINISHED W/ POLYESTER POWDER COATING.

LENGTH OPTIONS

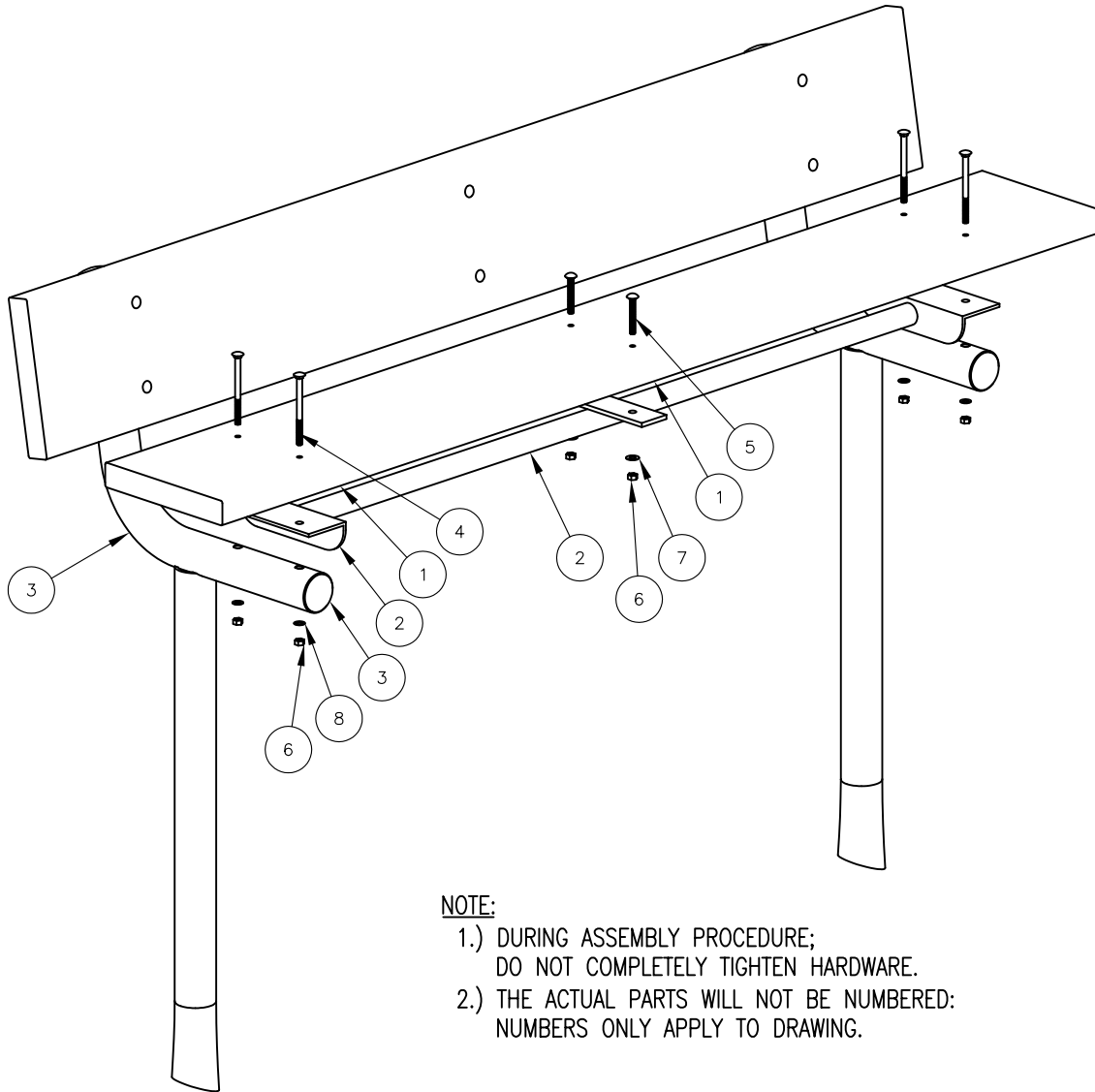
- 6' BENCH
- 8' BENCH


DuMor, inc.
 P.O. Box 142 Mifflintown, PA 17059-0142

SCALE : NONE
 DATE DRAWN : 7/24/95
 DRAWN BY : AH
 DATE REV. : 12/02/09
 REV. BY : ESS

TITLE : BENCH

REV. C	DRAWING NUMBER 97 SERIES PL S-1	SHEET 1 OF 2
--------	---------------------------------	--------------



NOTE:

- 1.) DURING ASSEMBLY PROCEDURE;
DO NOT COMPLETELY TIGHTEN HARDWARE.
- 2.) THE ACTUAL PARTS WILL NOT BE NUMBERED;
NUMBERS ONLY APPLY TO DRAWING.

STEP 1:

- USE 2 - PC. 2" X 10" X 71" PLASTIC SLAT (1)
- 2 - PC. SEAT BRACE (2)
- 4 - PCS. 5/16" X 2 1/4" SS. CGE. BOLT (5)
- 4 - PCS. 5/16" SS. HEX NUT (6)
- 4 - PCS. 5/16" SS. FLAT WASHER (7)

ATTACH 2" X 10" X 71" PLASTIC SLAT (1) TO SEAT BRACE (2) USING HARDWARE (5, 6, & 7). JUST IN THE CENTER HOLES. TIGHTEN TO SNUG FIT.

STEP 2:

- USE 2 - PC. SUPPORT FOR EMBEDMENT (3)
- 8 - PCS. 5/16" X 4 1/4" SS. CGE. BOLT (4)
- 8 - PCS. 5/16" SS. HEX NUT (6)
- 8 - PCS. 3/8" ID. X 5/8" OD. RUBBER WASHER (8)

ATTACH SUPPORT FOR EMBEDMENT (3) TO STEP 1 ASSEMBLY USING HARDWARE (4, 6, & 8). TIGHTEN TO SNUG FIT.

STEP 3:

UPON COMPLETION OF BENCH ASSEMBLY SQUARE ALL COMPONENTS THEN TIGHTEN ALL HARDWARE.

ITEM	QTY	PART NO	DESCRIPTION
1	2	0-71-60PL-01	2" X 10" X 71" PLASTIC SLAT
2	2	0-77-60-14	6' SEAT BRACE
3	2	0-97-00-01/S-1	SUPPORT FOR EMBEDMENT
4	8	1-11-002	5/16" X 4 1/4" SS CGE BOLT
5	4	1-11-062	5/16" X 2 1/4" SS CGE BOLT
6	12	1-21-015	5/16" SS HEX NUT
7	4	1-22-017	5/16" SS FLAT WASHER
8	8	1-22-018	3/8" ID X 5/8" OD RUBBER WASHER

DuMor, inc.

P.O. Box 142 Mifflintown, PA 17059-0142

SCALE : NONE
 DATE DRAWN : 11/30/99
 DRAWN BY : JSB
 DATE REV. : 12/02/09
 REV. BY : ESS

TITLE : BENCH ASSEMBLY

REV. C

DRAWING NUMBER 97 SERIES PL / S-1

SHEET 2 OF 2