

W/ 3" x 4" SLATS

- 98-63 PL ( 6' BENCH )
- 98-83 PL ( 8' BENCH )

SLAT OPTIONS

- "CEDAR" RECYCLED PLASTIC
- "GREEN" RECYCLED PLASTIC
- "GREY" RECYCLED PLASTIC
- "REDWOOD" RECYCLED PLASTIC
- "WALNUT" RECYCLED PLASTIC
- OTHER \_\_\_\_\_

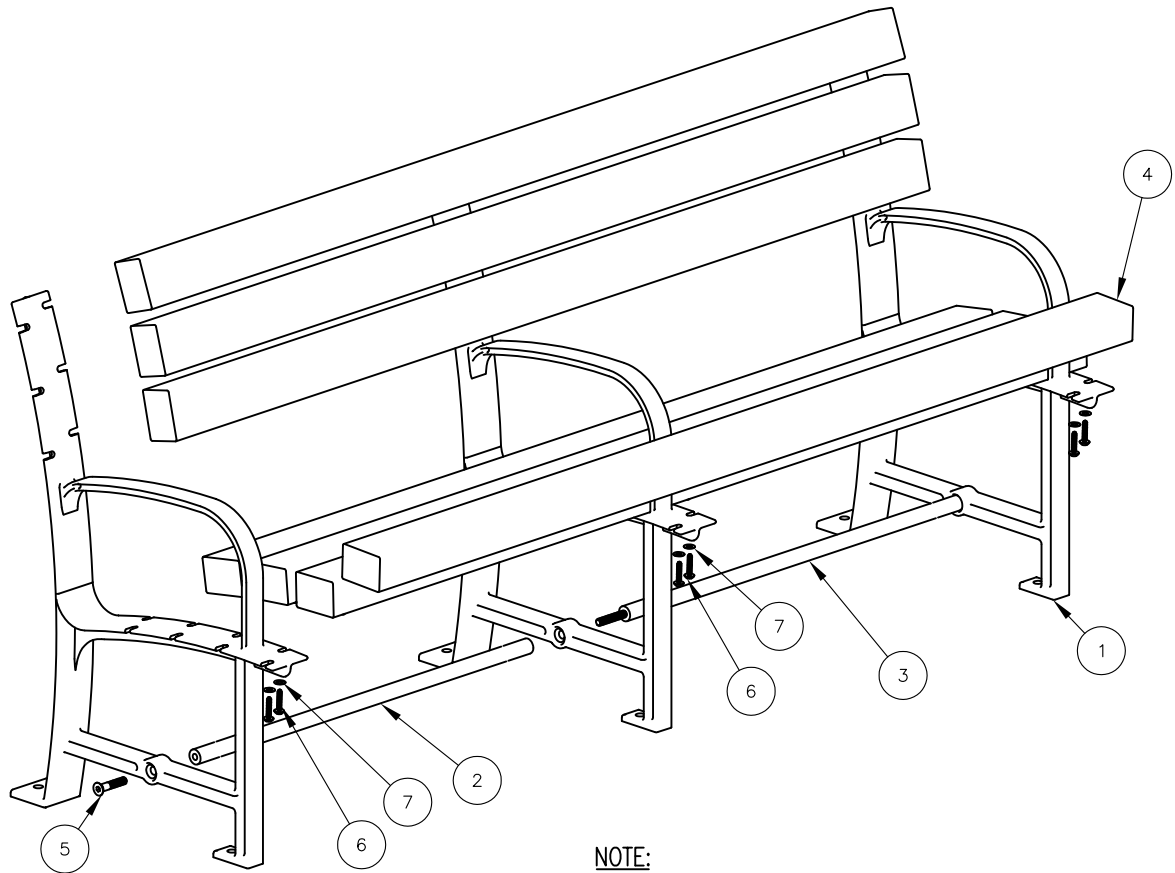
NOTES

- 1.) ALL STL. MEMBERS COATED W/ ZINC RICH EPOXY THEN FINISHED W/ POLYESTER POWDER COATING.
- 2.) 1/2" X 3 3/4" EXPANSION ANCHOR BOLTS PROVIDED.

**DuMor, inc.**  
P.O. Box 142 Mifflintown, PA 17059-0142

SCALE :	NONE
DATE DRAWN :	11/15/99
DRAWN BY :	AH
DATE REV. :	12/03/09
REV. BY :	ESS

TITLE :	BENCH		
REV.	C	DRAWING NUMBER	98 SERIES PL
			SHEET 1 OF 2



**STEP 1:**

USE 1 - PC. CAST IRON SUPPORT ( 1 )  
 1 - PC. 31 3/8" PIPE BRACE ( 2 )  
 1 - PC. 31 3/8" PIPE BRACE WITH STUD ( 3 )  
 ATTACH PIPE BRACE ( 2 & 3 ) TO CAST IRON SUPPORT ( 1 ) BY INSERTING PIPE BRACE WITH STUD THROUGH CAST SUPPORT ( 1 ) AND ATTACH PIPE BRACE ( 2 ) TO END OF STUD THEN TIGHTEN.

**STEP 2:**

USE 2 - PCS. CAST IRON SUPPORT ( 1 )  
 2 - PCS. 1/2" X 2 1/2" FLT. SKT. HD. CAP SCR. ( 5 )  
 ATTACH CAST IRON SUPPORT ( 1 ) TO STEP 1 ASSEMBLY USING HARDWARE ( 5 ). TIGHTEN TO SNUG FIT.

**STEP 3:**

USE 7 - PCS. 3" X 4" X 71" PLASTIC SLAT ( 4 )  
 42 - PCS. 5/16" X 1 1/2" SS. BTN. SKT. HD. LAG ( 6 )  
 42 - PCS. 5/16" SS. FLAT WASHER ( 7 )  
 ATTACH 3" X 4" X 71" PLASTIC SLAT ( 4 ) TO STEP 2 ASSEMBLY USING HARDWARE ( 6 & 7 ). TIGHTEN TO SNUG FIT. REPEAT UNTIL ALL SLATS ARE ATTACHED.

**NOTE:**

- 1.) DURING ASSEMBLY PROCEDURE;  
DO NOT COMPLETELY TIGHTEN HARDWARE.
- 2.) THE ACTUAL PARTS WILL NOT BE NUMBERED:  
NUMBERS ONLY APPLY TO DRAWING.

**STEP 4:**

UPON COMPLETION OF BENCH ASSEMBLY SQUARE ALL COMPONENTS THEN TIGHTEN ALL HARDWARE.

**STEP 5:**

MOUNT AND ANCHOR AS SPECIFIED.

ITEM	QTY	PART NO	DESCRIPTION
1	3	0-98-00-02	CAST IRON SUPPORT (98)
2	1	0-98-60PL-03	3/4" SCH 40 PIPE BRACE ( 31 3/8" )
3	1	0-98-60PL-04	3/4" SCH 40 PIPE BRACE 31 3/8" W/ STUD
4	7	0-98-63PL-01	3" X 4" X 71" PLASTIC SLATS
5	2	1-12-065	1/2" X 2 1/2" FLT SKT HD CAP SCR
6	42	1-13-023	5/16" X 1 1/2" SS BTN SKT HD LAG
7	42	1-22-017	5/16" SS FLAT WASHER

**DuMor, inc.**  
 P.O. Box 142 Mifflintown, PA 17059-0142

SCALE : NONE  
 DATE DRAWN : 12/9/99  
 DRAWN BY : JSB  
 DATE REV. : 12/03/09  
 REV. BY : ESS

TITLE : BENCH ASSEMBLY

REV. C	DRAWING NUMBER 98 SERIES PL	SHEET 2 OF 2
--------	-----------------------------	--------------